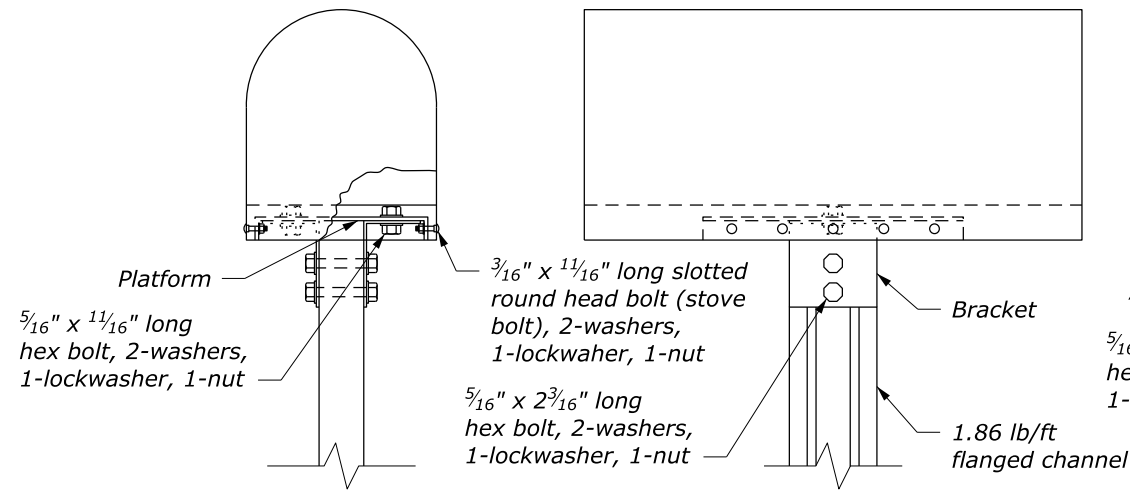
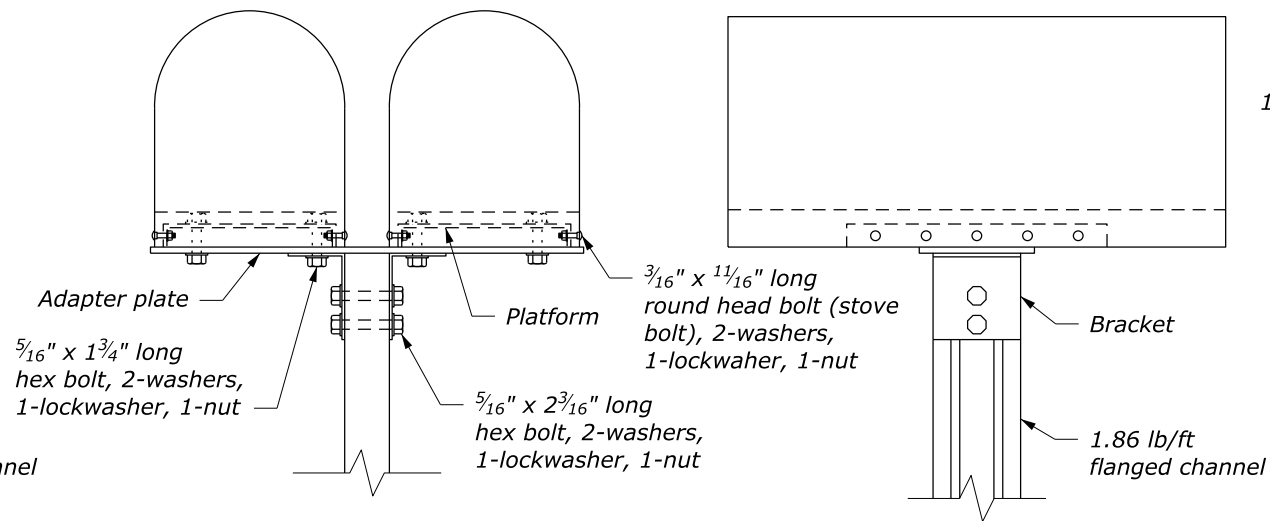


NOTE:

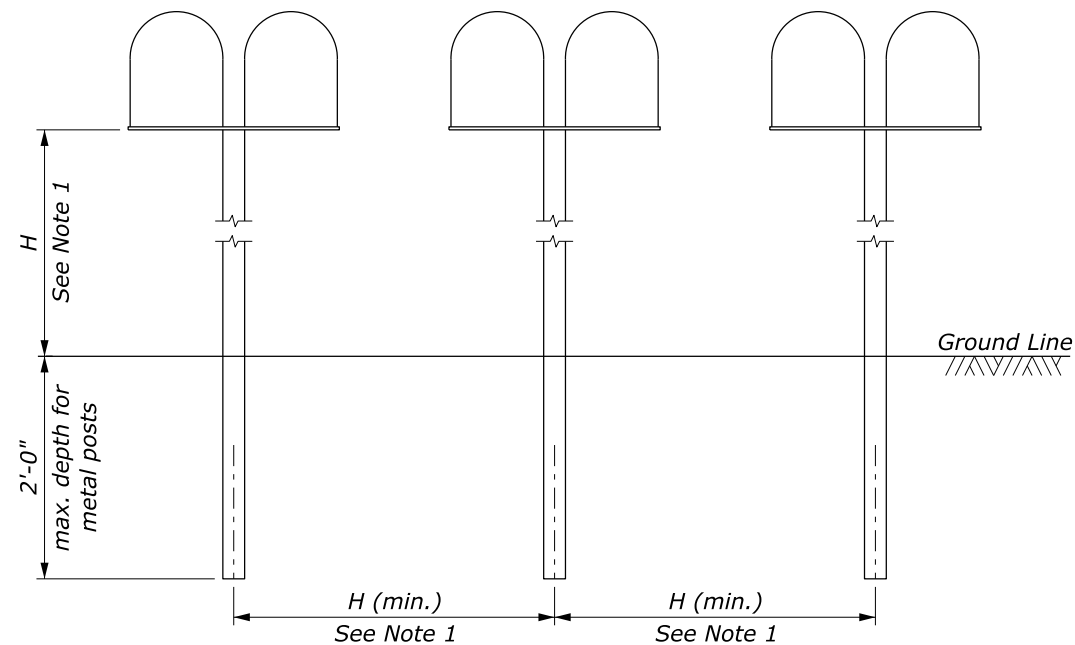
1. Spacing between multiple mailboxes and height of mailbox above ground level are as established by the the U.S. Postal Service. H is usually 3'-4" to 4'-0"



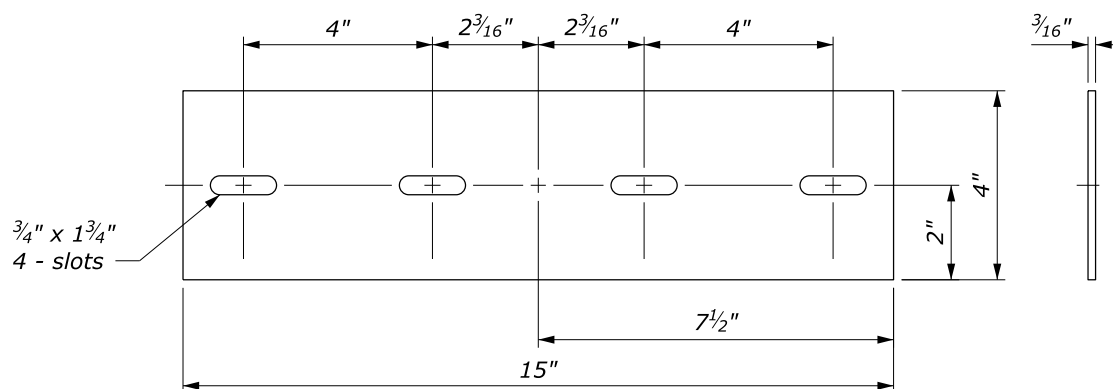
SINGLE MAILBOX INSTALLATION



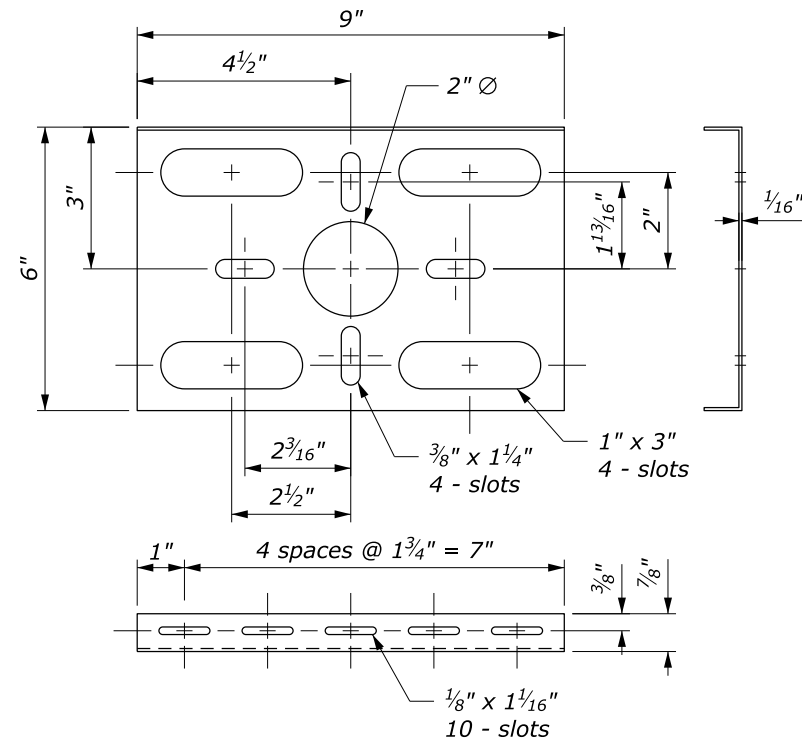
DOUBLE MAILBOX INSTALLATION



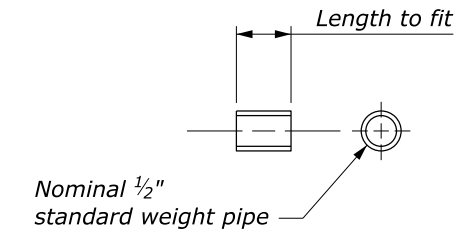
SPACING FOR MULTIPLE POST INSTALLATION



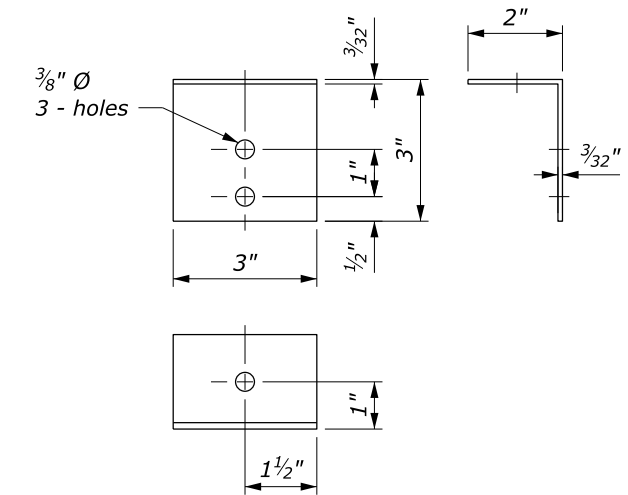
ADAPTER PLATE



PLATFORM



SPACER



BRACKET

NO SCALE

U.S. DEPARTMENT OF TRANSPORTATION, FHWA
OFFICE OF FEDERAL LANDS HIGHWAY

**MAILBOX ASSEMBLY
SERIES B**

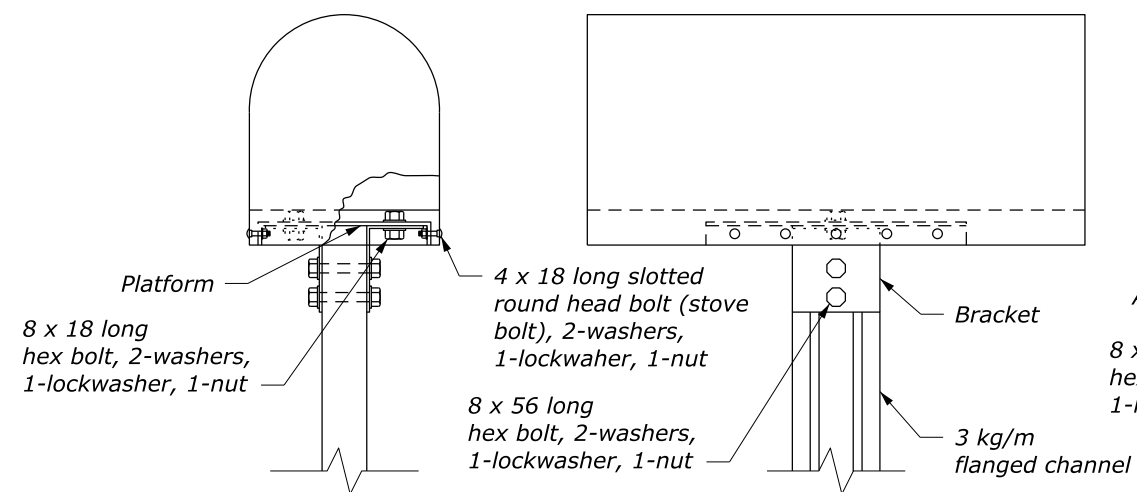
WFL STANDARD
W646-3

SPECIFICATION
FP-24, FP-14

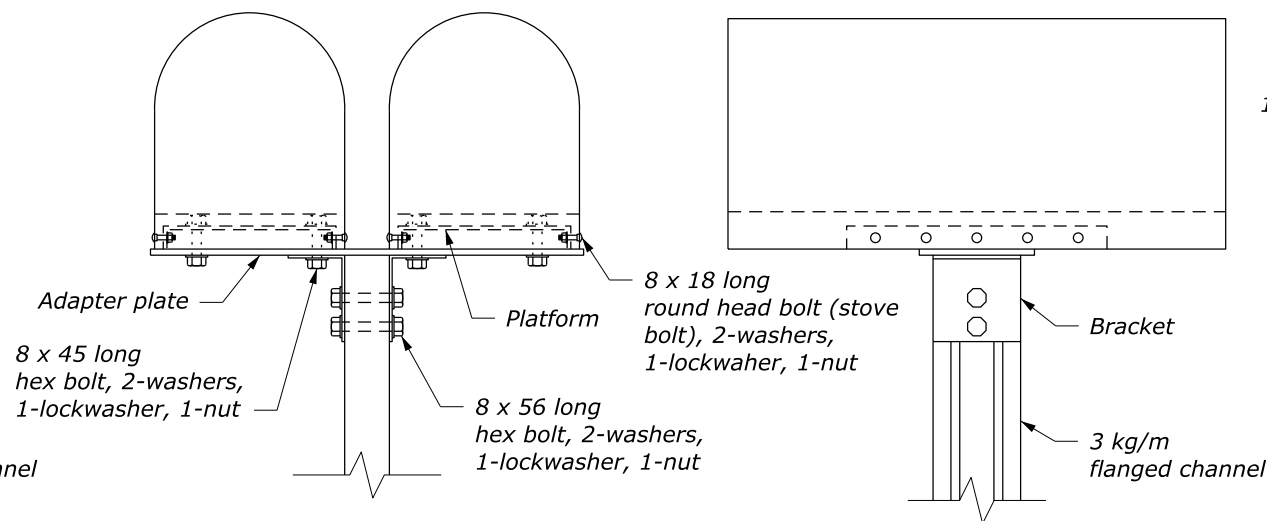
APPROVED FOR USE
11/2014

NOTE:

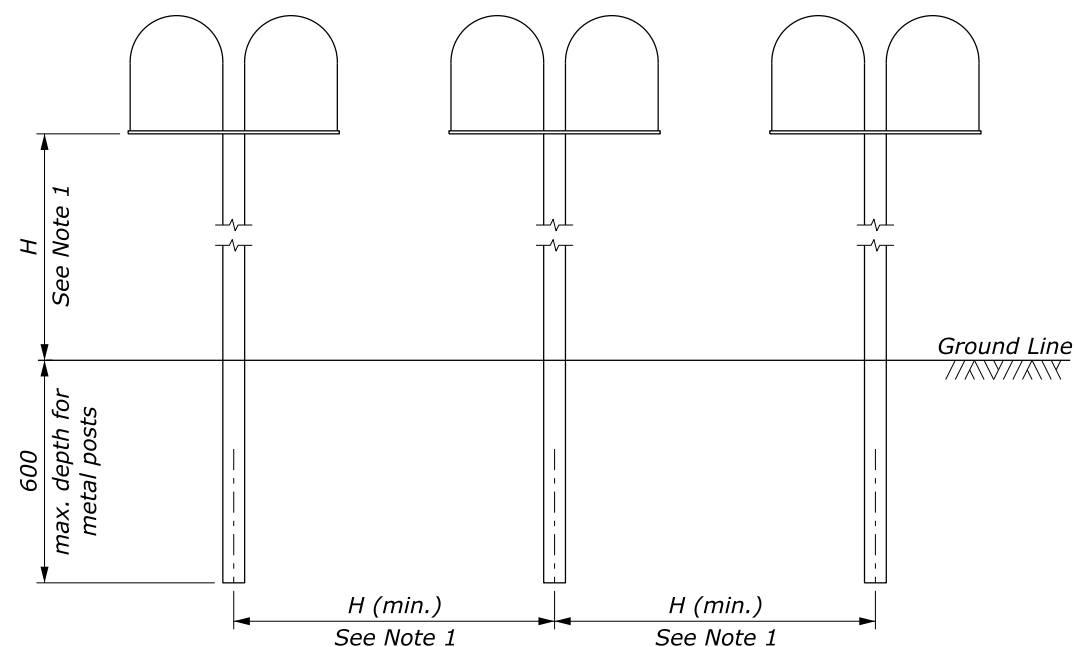
1. Spacing between multiple mailboxes and height of mailbox above ground level are as established by the the U.S. Postal Service. H is usually 1.0 m to 1.2 m.



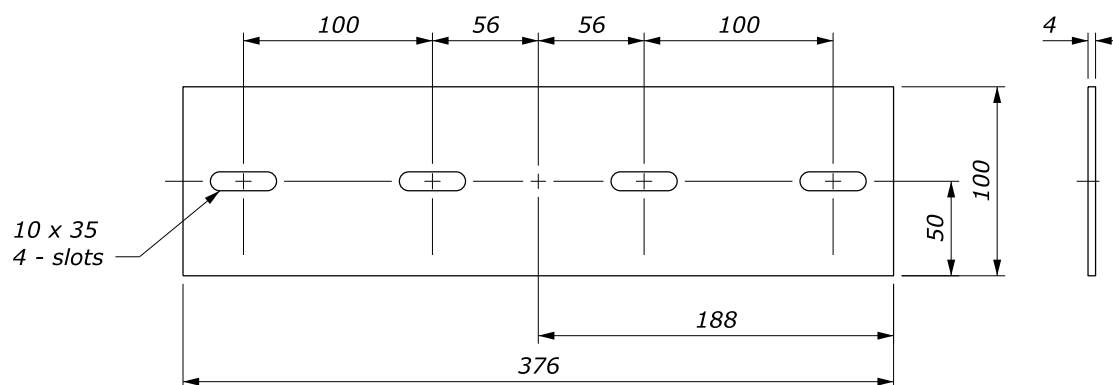
SINGLE MAILBOX INSTALLATION



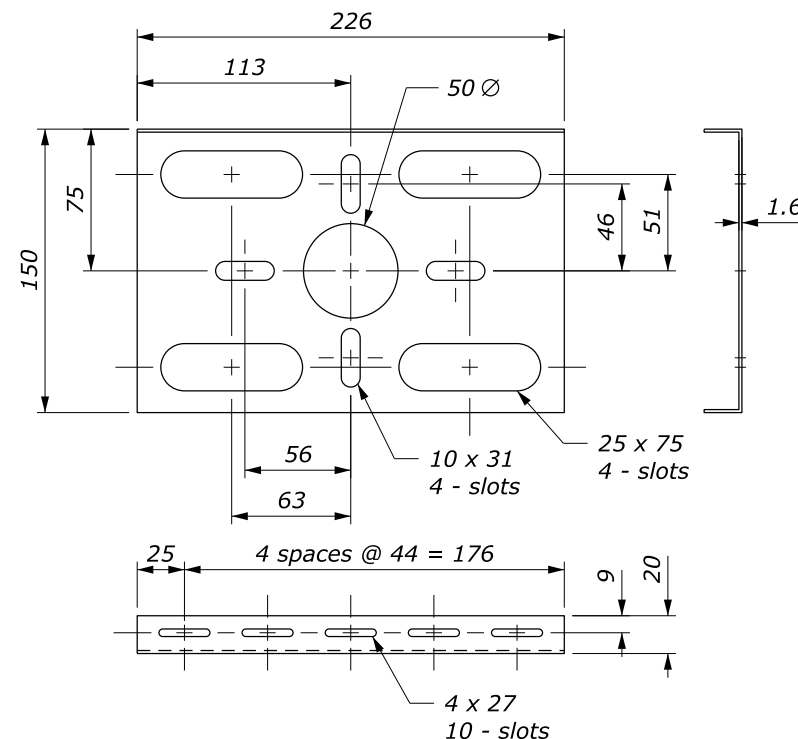
DOUBLE MAILBOX INSTALLATION



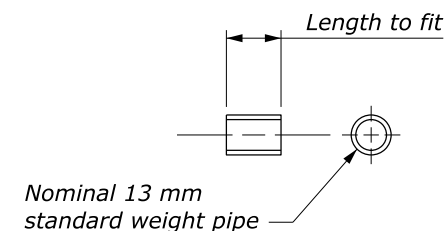
SPACING FOR MULTIPLE POST INSTALLATION



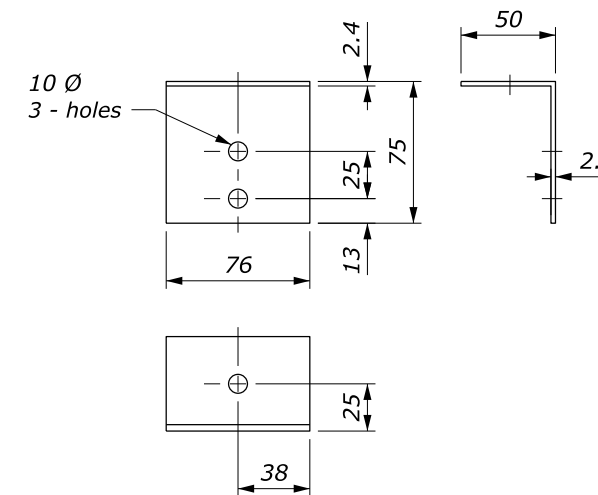
ADAPTER PLATE



PLATFORM



SPACER



BRACKET

This drawing contains **Metric** units of measure. Dimensions without units are millimeters.

NO SCALE

U.S. DEPARTMENT OF TRANSPORTATION, FHWA OFFICE OF FEDERAL LANDS HIGHWAY	WFL STANDARD WM646-3
MAILBOX ASSEMBLY SERIES B	SPECIFICATION FP-24, FP-14
	APPROVED FOR USE 11/2014