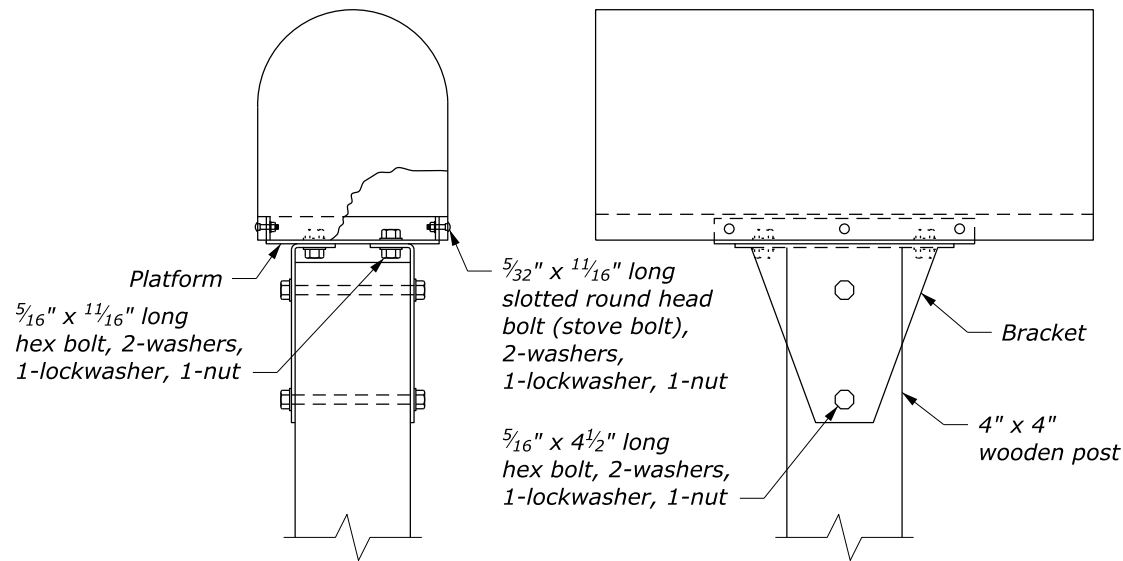
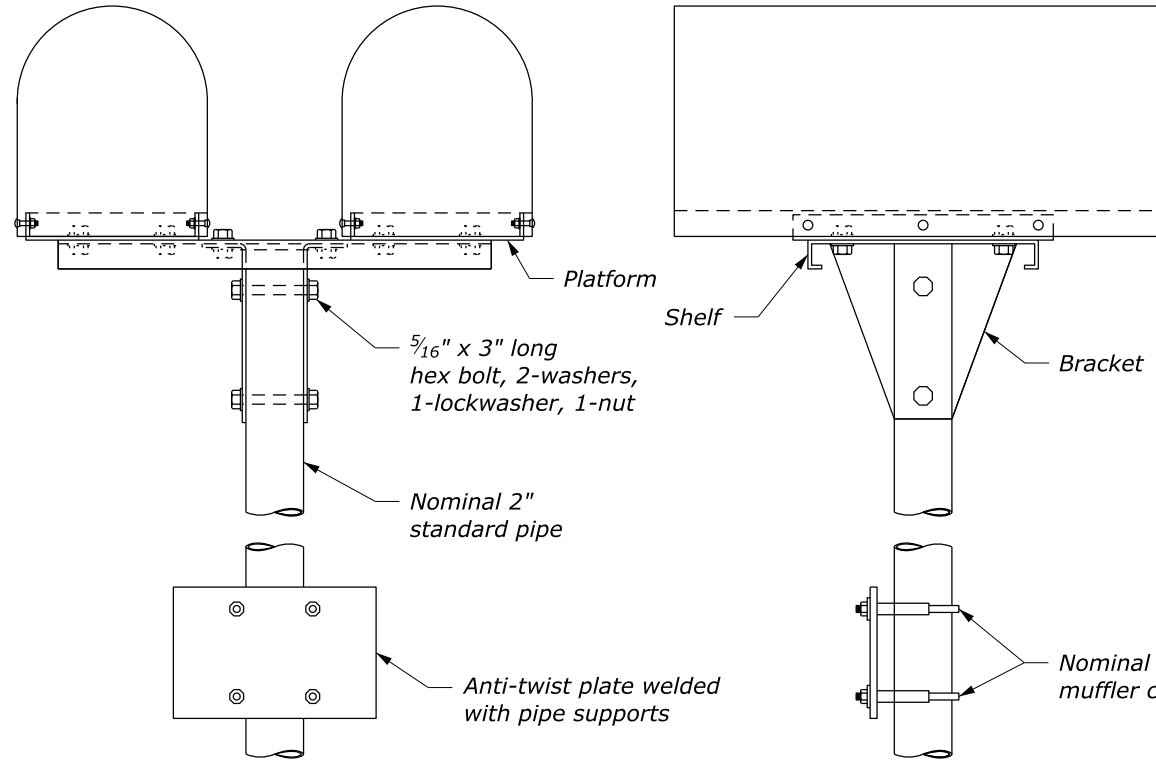


**NOTE:**

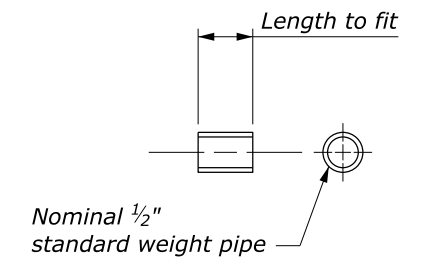
1. Spacing between multiple mailboxes and height of mailbox above ground level are as established by the the U.S. Postal Service. H is usually 3'-4" to 4'-0"



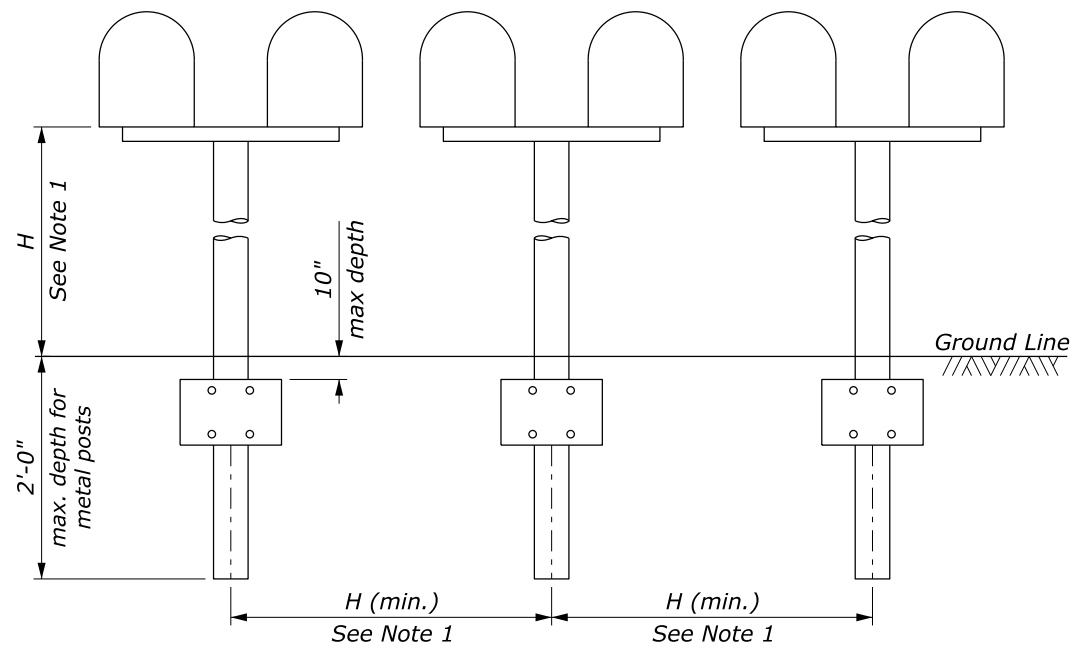
**SINGLE MAILBOX INSTALLATION**



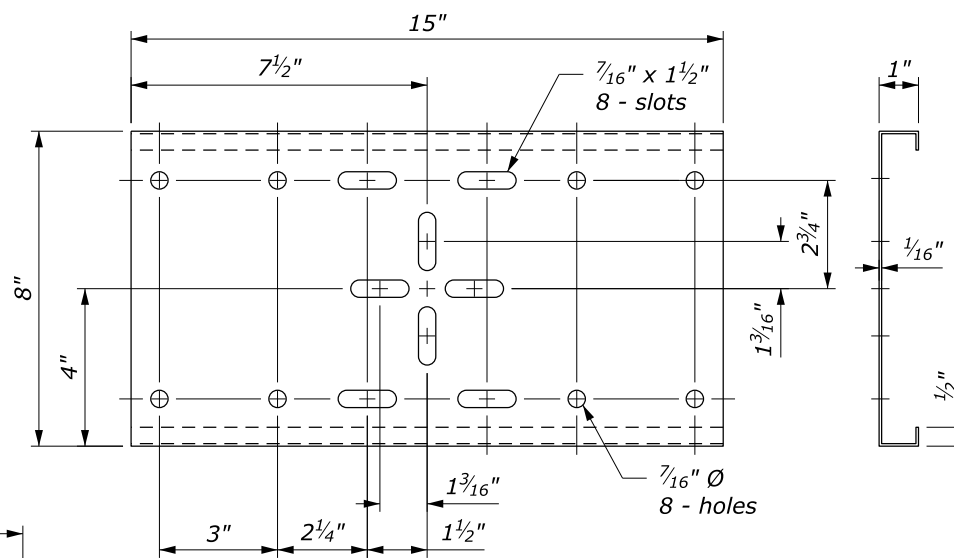
**DOUBLE MAILBOX INSTALLATION**



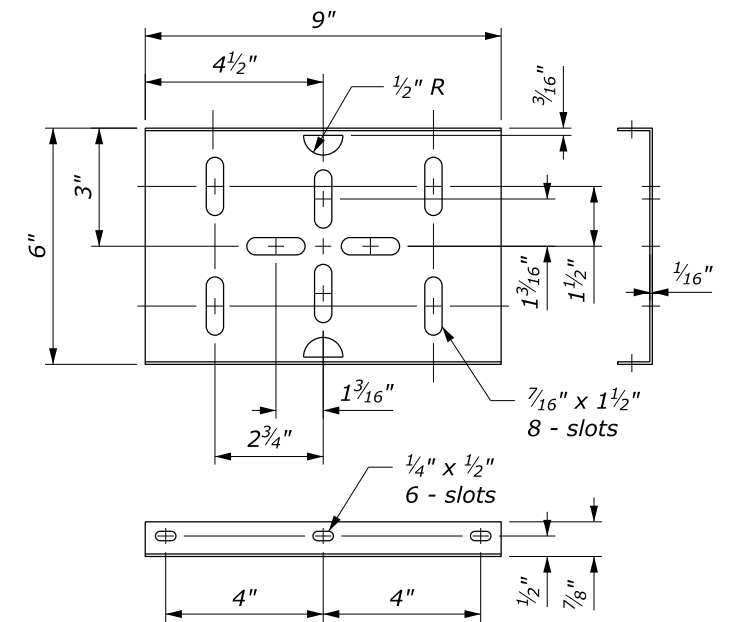
**SPACER**



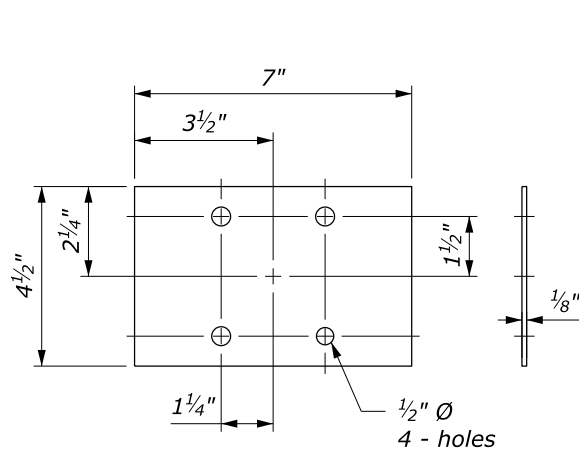
**SPACING FOR MULTIPLE POST INSTALLATION**



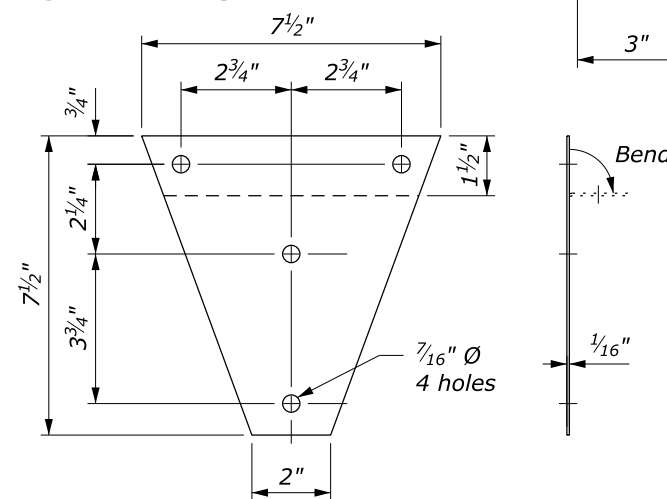
**SHELF**



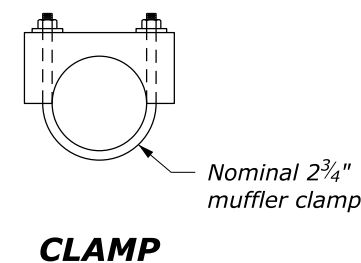
**PLATFORM**



**ANTI-TWIST PLATE**



**BRACKET**



**CLAMP**

NO SCALE

U.S. DEPARTMENT OF TRANSPORTATION, FHWA  
 OFFICE OF FEDERAL LANDS HIGHWAY

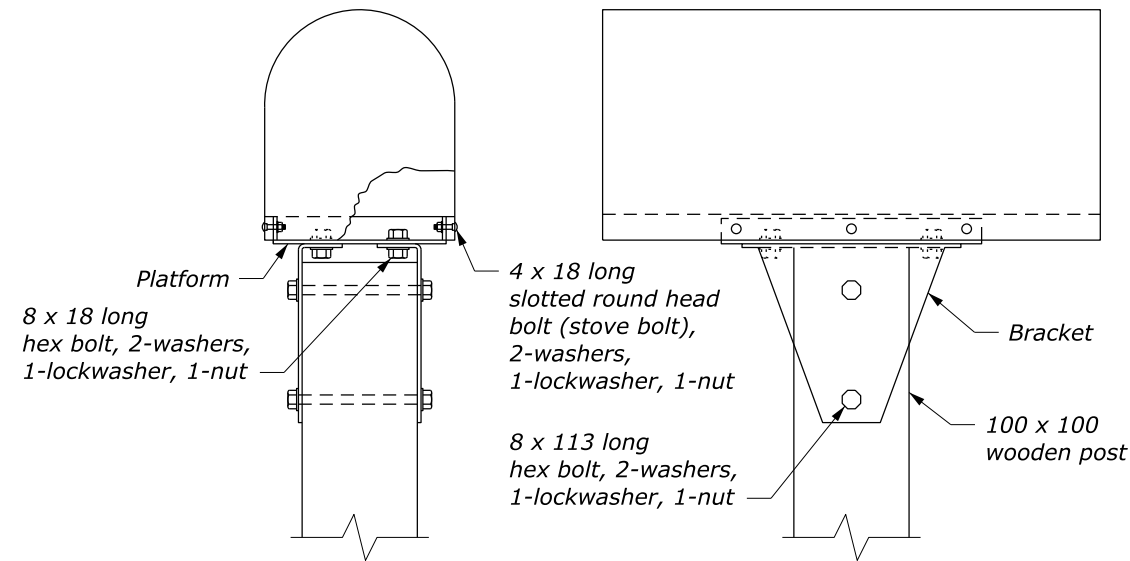
**MAILBOX ASSEMBLY  
 SERIES A**

WFL STANDARD  
 W646-2

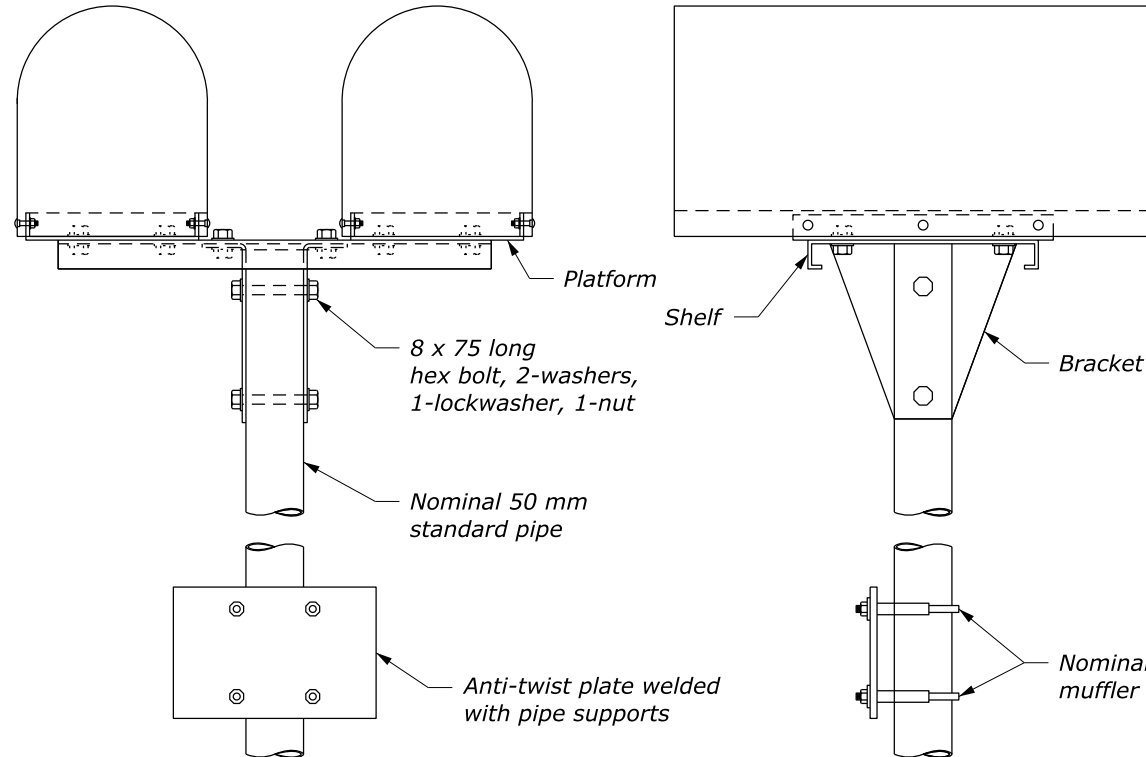
SPECIFICATION  
 FP-24, FP-14

APPROVED FOR USE  
 11/2014

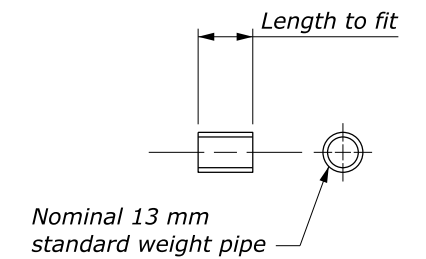
**NOTE:**  
 1. Spacing between multiple mailboxes and height of mailbox above ground level are as established by the the U.S. Postal Service. H is usually 1.0 m to 1.2 m.



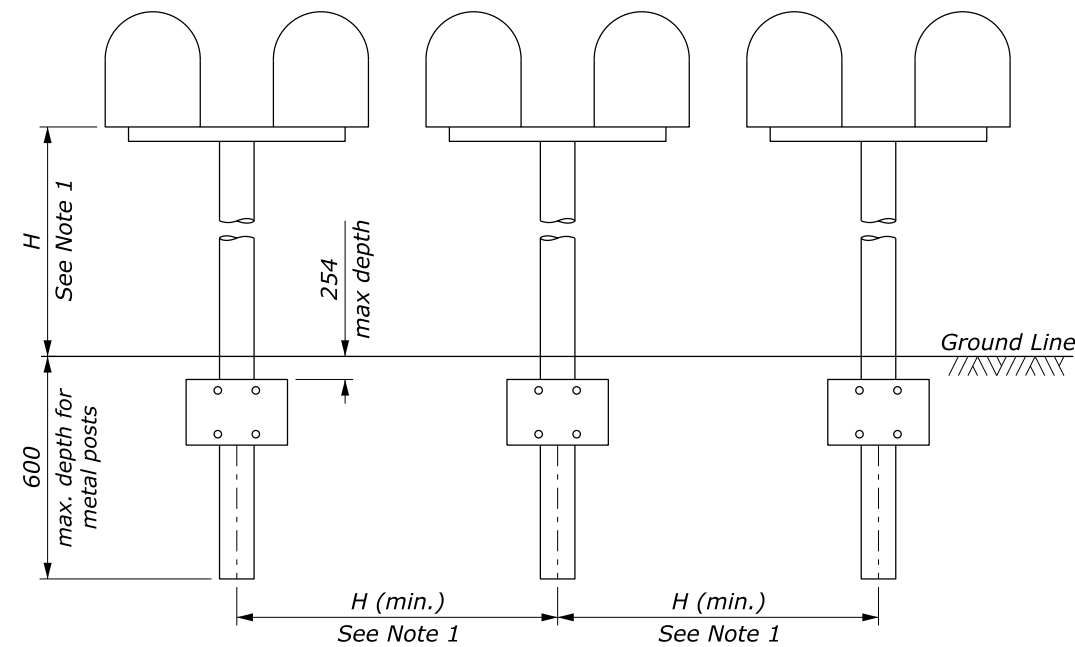
**SINGLE MAILBOX INSTALLATION**



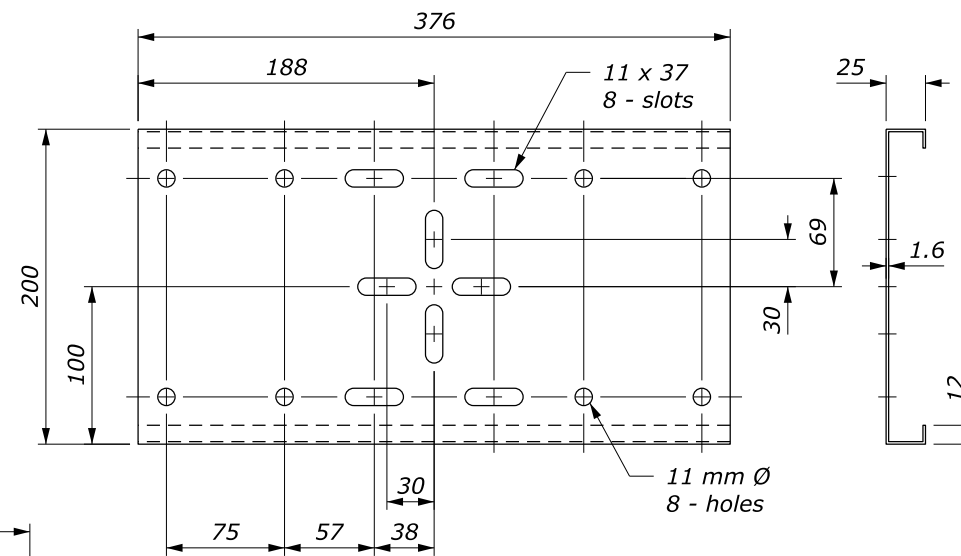
**DOUBLE MAILBOX INSTALLATION**



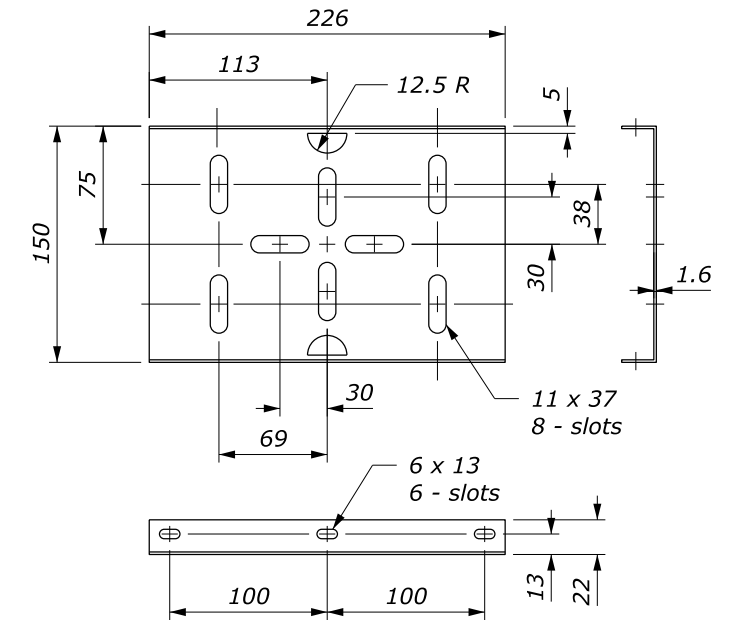
**SPACER**



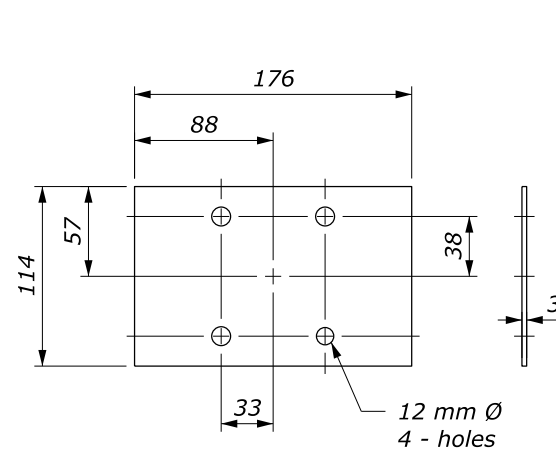
**SPACING FOR MULTIPLE POST INSTALLATION**



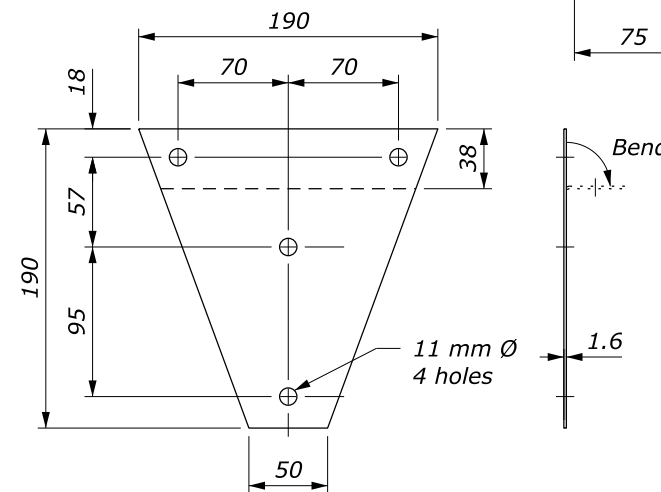
**SHELF**



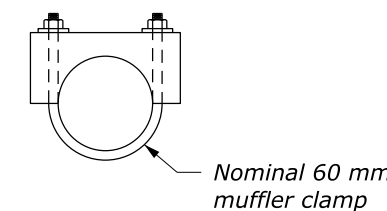
**PLATFORM**



**ANTI-TWIST PLATE**



**BRACKET**



**CLAMP**

This drawing contains **Metric** units of measure. Dimensions without units are millimeters.

U.S. DEPARTMENT OF TRANSPORTATION, FHWA OFFICE OF FEDERAL LANDS HIGHWAY	WFL STANDARD WM646-2
<b>MAILBOX ASSEMBLY SERIES A</b>	SPECIFICATION FP-24, FP-14
	APPROVED FOR USE 11/2014

NO SCALE

c:\pwwork\0259234\W646-2.dgn [Std: WM646-2]  
 14 March 2025 12:56 PM