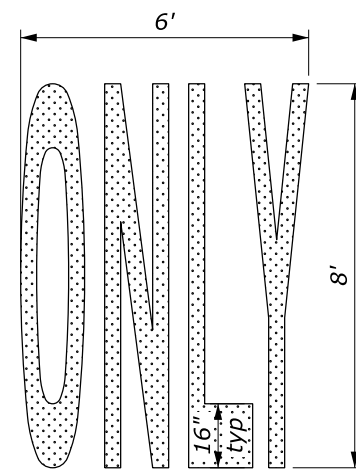
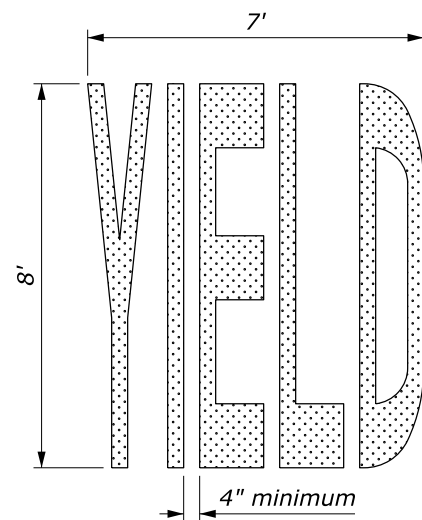
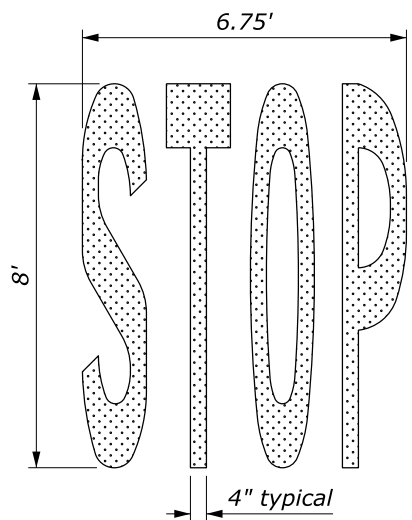


**NOTE:**

1. Place pavement word and symbol markings in accordance with the "Manual on Uniform Traffic Control Devices" (MUTCD), current edition.
2. Use the current edition of the "Standard Highway Signs" to size all letters, numerals and symbols.
3. The Accessibility Parking Space marking only includes the accessibility symbol unless a border is shown in the Striping Plans.

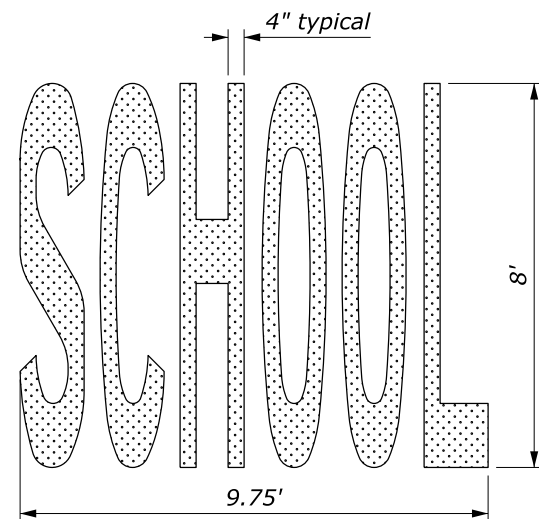
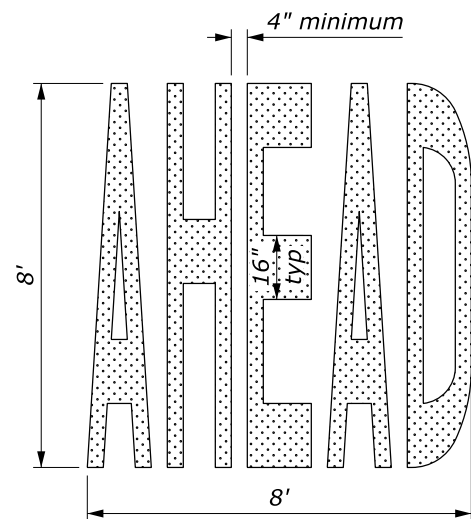
PAVEMENT MARKING AREAS	
TYPE	SQFT
Through Lane-Use Arrow	12
Turn Lane-Use Arrow	16
Turn and Through Lane-Use Arrow	26
Yield Ahead Triangle (V≤40 MPH)	26
Yield Ahead Triangle (V≥45 MPH)	37
Accessibility Marking (symbol only)	2
Accessibility Marking w/ border (White)	5
Accessibility Marking w/ border (Blue)	9
AHEAD Word Marking	30
ONLY Word Marking	21
SCHOOL Word Marking	33
STOP Word Marking	22
YIELD Word Marking	24



**"STOP" WORD MARKING**

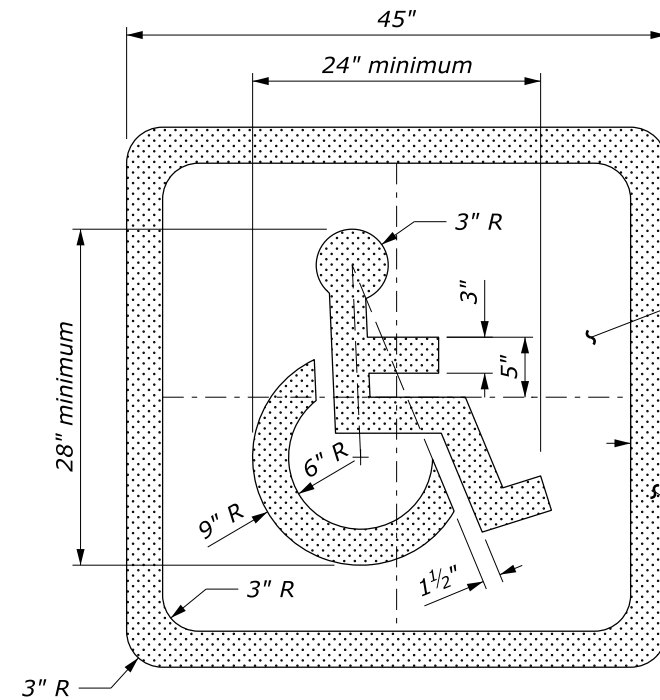
**"YIELD" WORD MARKING**

**"ONLY" WORD MARKING**



**"AHEAD" WORD MARKING**

**"SCHOOL" WORD MARKING**



Blue background when border shown in the Striping Plans

White border when shown in the Striping Plans

**ACCESSIBILITY PARKING SPACE MARKING**

NO SCALE

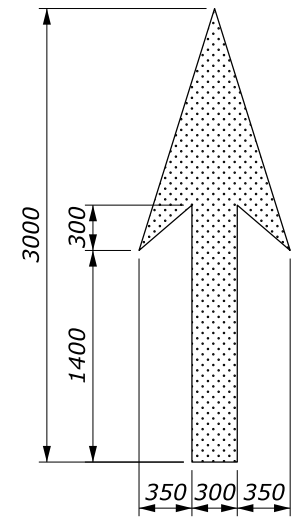
U.S. DEPARTMENT OF TRANSPORTATION, FHWA  
OFFICE OF FEDERAL LANDS HIGHWAY

**PAVEMENT MARKINGS  
SYMBOLS AND WORDS**

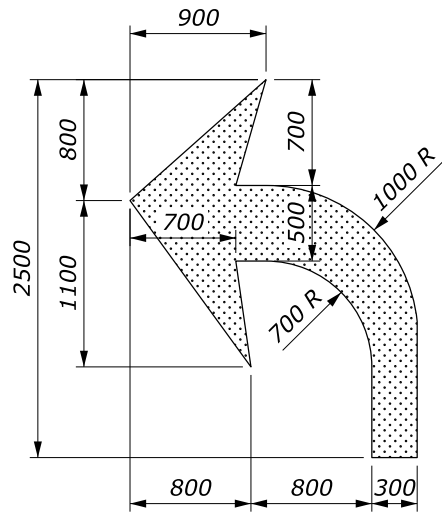
WFL STANDARD  
W634-1

SPECIFICATION  
FP-24, FP-14

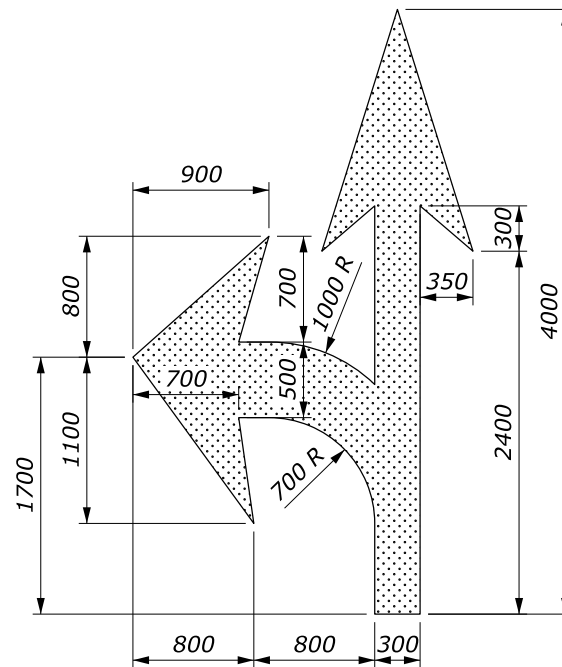
APPROVED FOR USE  
9/2024



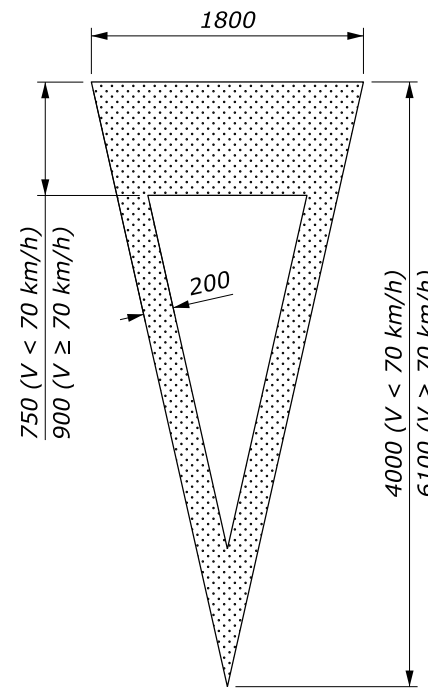
**THROUGH LANE-USE ARROW**



**TURN LANE-USE ARROW**



**TURN AND THROUGH LANE-USE ARROW**

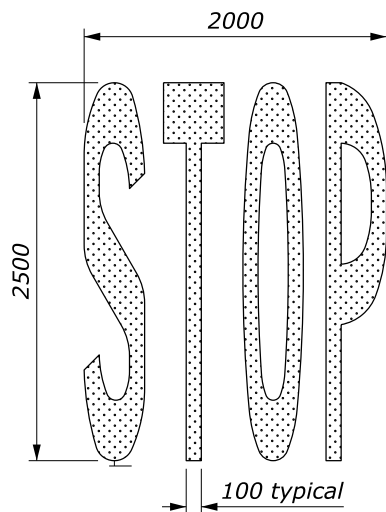


**YIELD AHEAD TRIANGLE SYMBOL**

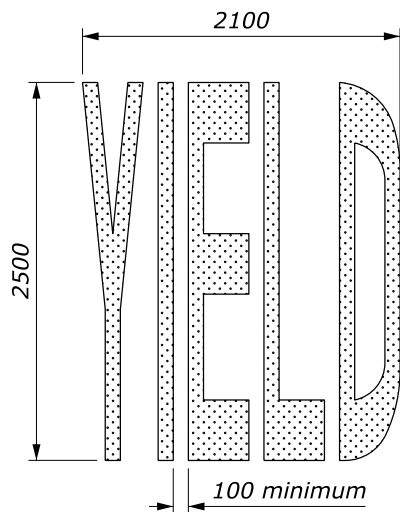
**NOTE:**

1. Place pavement word and symbol markings in accordance with the "Manual on Uniform Traffic Control Devices" (MUTCD), current edition.
2. Use the current edition of the "Standard Highway Signs" to size all letters, numerals and symbols.
3. The Accessibility Parking Space marking only includes the accessibility symbol unless a border is shown in the Striping Plans.

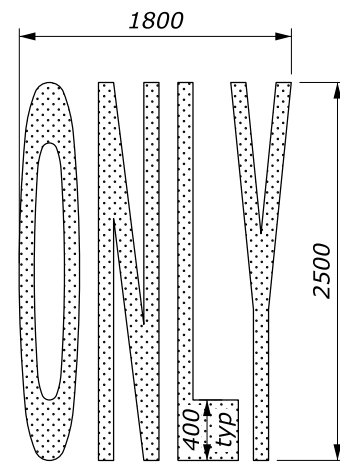
PAVEMENT MARKING AREAS	
TYPE	m <sup>2</sup>
Through Lane-Use Arrow	1.1
Turn Lane-Use Arrow	1.5
Turn and Through Lane-Use Arrow	2.5
Yield Ahead Triangle (V < 70 km/h)	2.4
Yield Ahead Triangle (V ≥ 70 km/h)	3.3
Accessibility Marking (symbol only)	0.1
Accessibility Marking w/ border (White)	0.5
Accessibility Marking w/ border (Blue)	0.8
AHEAD Word Marking	2.8
ONLY Word Marking	2.0
SCHOOL Word Marking	3.1
STOP Word Marking	2.0
YIELD Word Marking	2.2



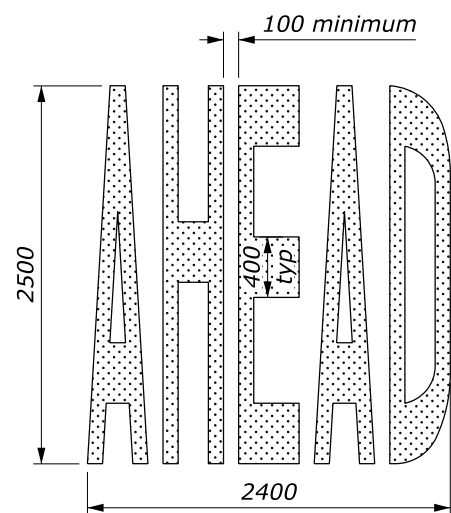
**"STOP" WORD MARKING**



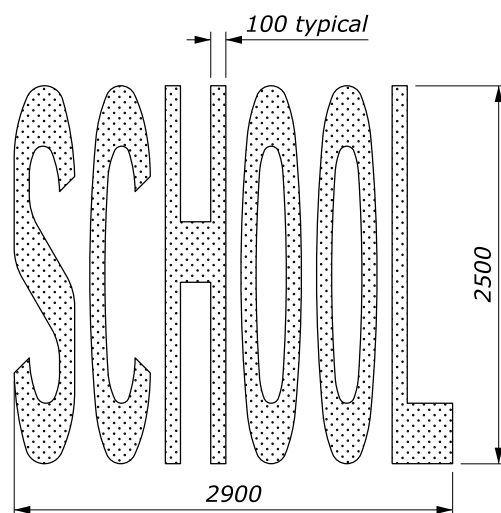
**"YIELD" WORD MARKING**



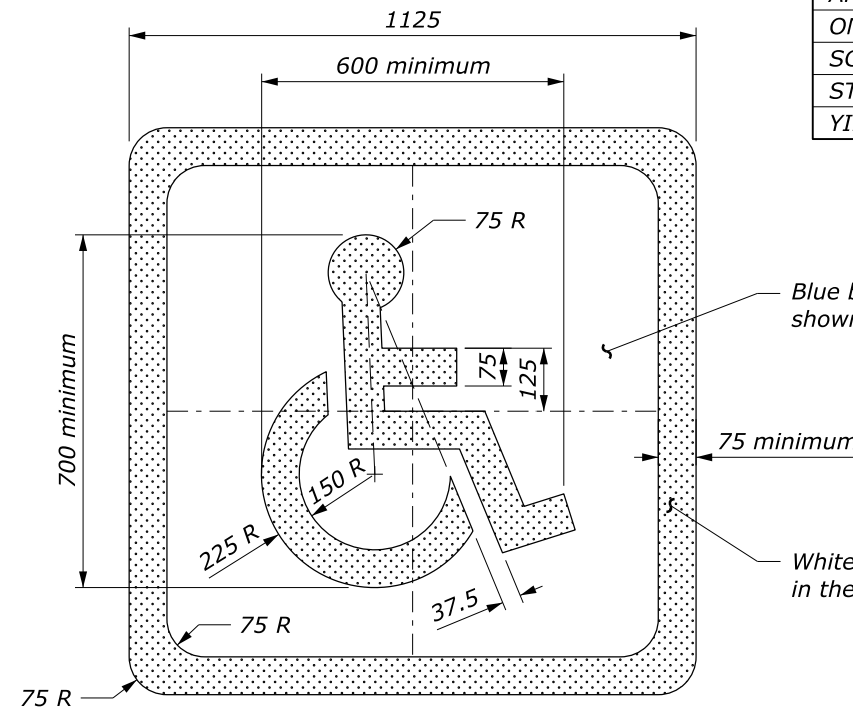
**"ONLY" WORD MARKING**



**"AHEAD" WORD MARKING**



**"SCHOOL" WORD MARKING**



**ACCESSIBILITY PARKING SPACE MARKING**

Blue background when border shown in the Striping Plans

White border when shown in the Striping Plans

This drawing contains **Metric** units of measure. Dimensions without units are millimeters.

NO SCALE

U.S. DEPARTMENT OF TRANSPORTATION, FHWA  
OFFICE OF FEDERAL LANDS HIGHWAY

**PAVEMENT MARKINGS  
SYMBOLS AND WORDS**

WFL STANDARD  
WM634-1

SPECIFICATION  
FP-24, FP-14

APPROVED FOR USE  
9/2024