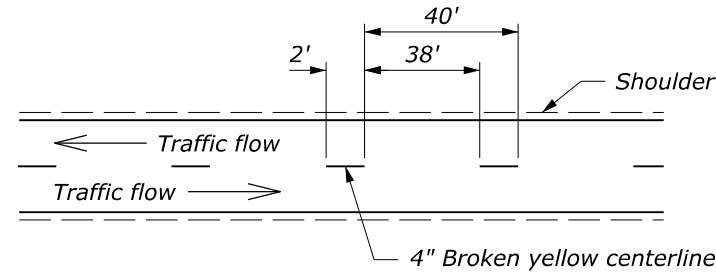
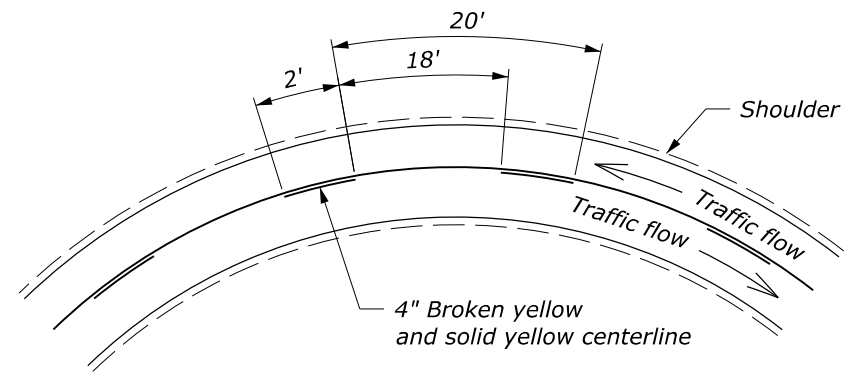


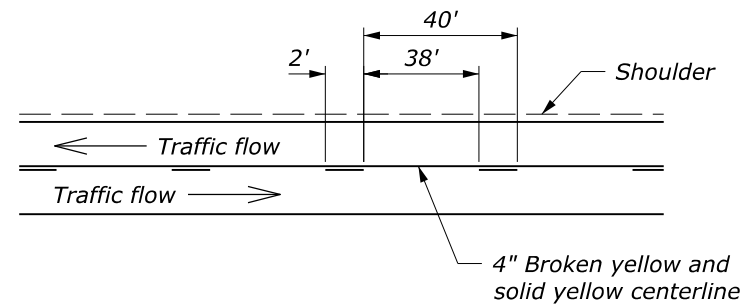
**DETAIL A1**  
 Passing zone both directions  
 Two-way traffic



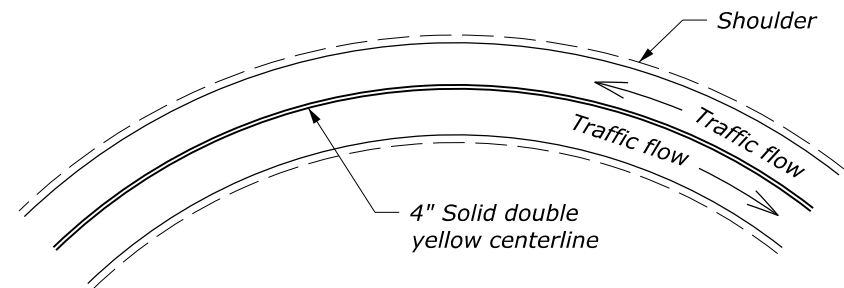
**DETAIL B1**  
 Passing zone both directions  
 Two-way traffic



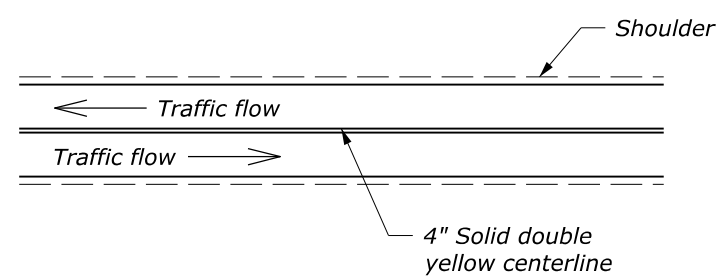
**DETAIL A2**  
 No passing zone one direction  
 Two-way traffic



**DETAIL B2**  
 No Passing zone one direction  
 Two-way traffic



**DETAIL A3**  
 No passing zone both directions  
 Two-way traffic



**DETAIL B3**  
 No Passing zone both directions  
 Two-way traffic

**DETAIL A**  
 Curves < 500' Radius

**DETAIL B**  
 Tangents or Curves ≥ 500' Radius

**NOTE:**

1. To substitute raised pavement markers for lines, use the following patterns:

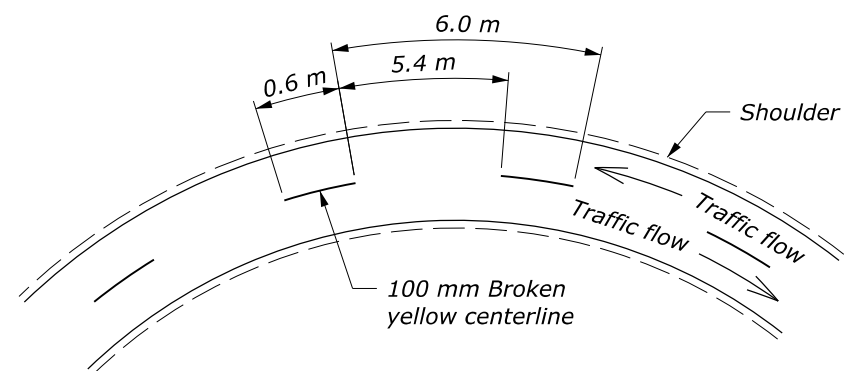
2 ft broken line: two pavement markers spaced 2 ft apart allowed by the gap shown based on curvature.

Single solid line: pavement markers spaced on 10 ft centers.

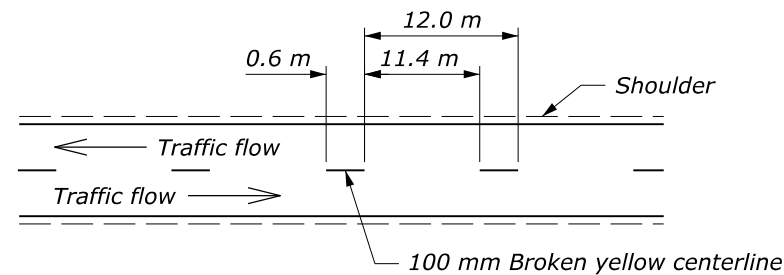
Double solid line: two pavement markers, side by side, spaced on 10 ft centers.

2. On two- or three-lane roads, signs may be used instead of temporary pavement markings as shown on Standard 635-3.

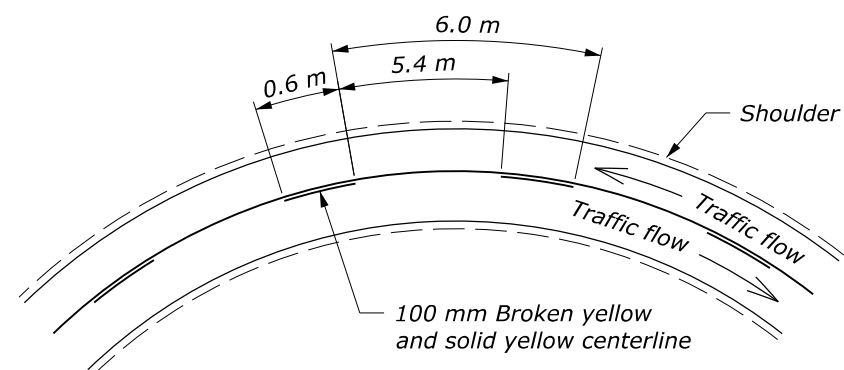
NO SCALE



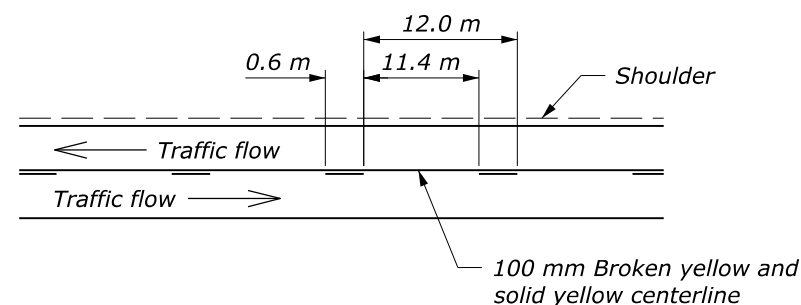
**DETAIL A1**  
 Passing zone both directions  
 Two-way traffic



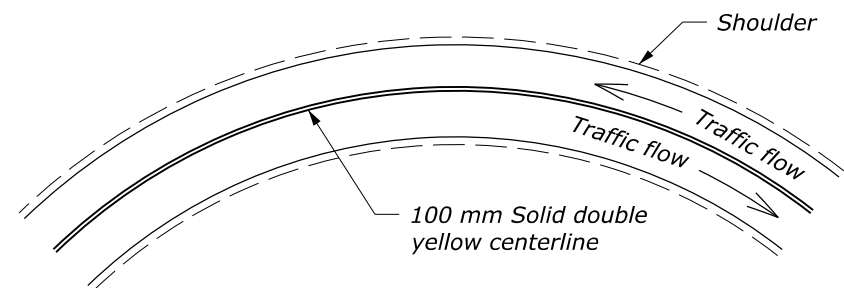
**DETAIL B1**  
 Passing zone both directions  
 Two-way traffic



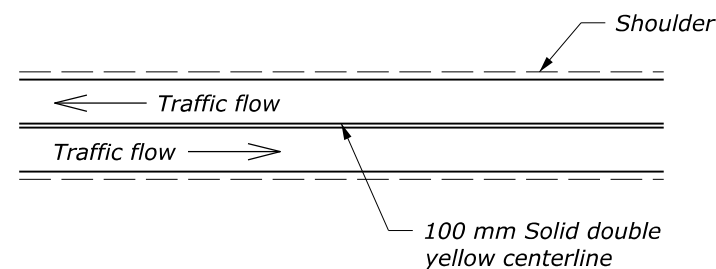
**DETAIL A2**  
 No passing zone one direction  
 Two-way traffic



**DETAIL B2**  
 No Passing zone one direction  
 Two-way traffic



**DETAIL A3**  
 No passing zone both directions  
 Two-way traffic



**DETAIL B3**  
 No Passing zone both directions  
 Two-way traffic

**DETAIL A**  
 Curves < 150 m Radius

**DETAIL B**  
 Tangents or Curves ≥ 150 m Radius

**NOTE:**

1. To substitute raised pavement markers for lines, use the following patterns:

0.6 m broken line: two pavement markers spaced 0.6 m apart allowed by the gap shown based on curvature.

Single solid line: pavement markers spaced on 3 m centers.

Double solid line: two pavement markers, side by side, spaced on 3 m centers

2. On two- or three-lane roads, signs may be used instead of temporary pavement markings as shown on Standard M635-3.

This drawing contains **Metric** units of measure.  
 Dimensions without units are millimeters.

<b>TEMPORARY PAVEMENT MARKINGS</b>	U.S. DEPARTMENT OF TRANSPORTATION, FHWA OFFICE OF FEDERAL LANDS HIGHWAY	FLH STANDARD <b>M635-2</b>
	SPECIFICATION FP-24, FP-14	
	APPROVED FOR USE 2/2024	

NO SCALE