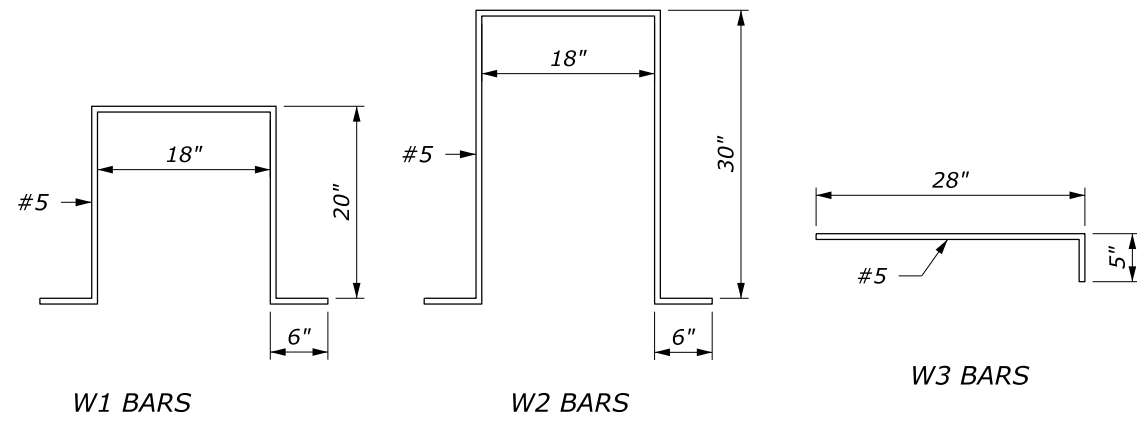


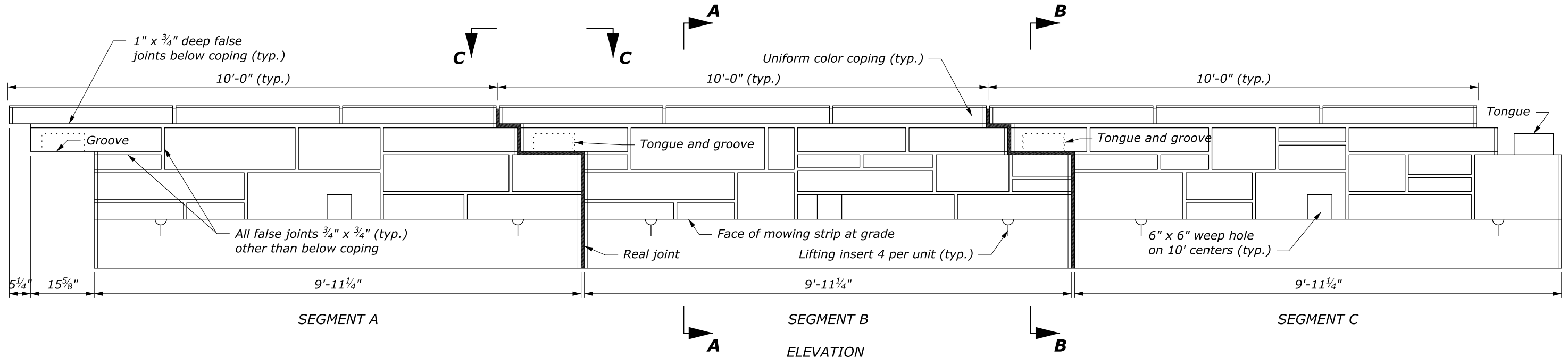
NOTE:

1. Each unit consists of three segments each of which have a different random masonry pattern as shown. All three segments are to interlock with each other to vary the order.
2. Sealant for the real joint covers the perimeter joint of the capstone, sides, and top and sides of the footing.
3. Precast the entire wall section; no cast-in-place is allowed.
4. Minimum concrete cover 2" unless shown otherwise.

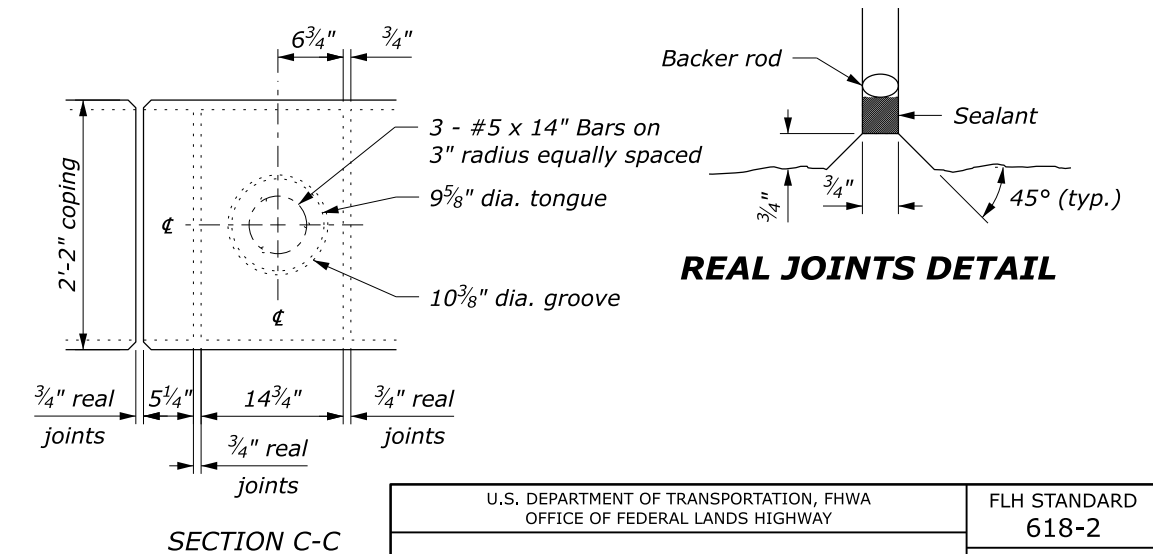
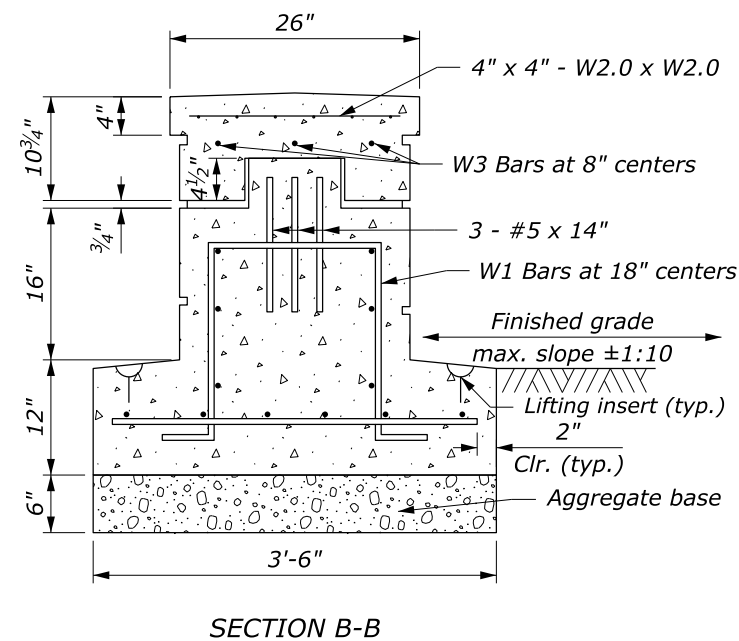
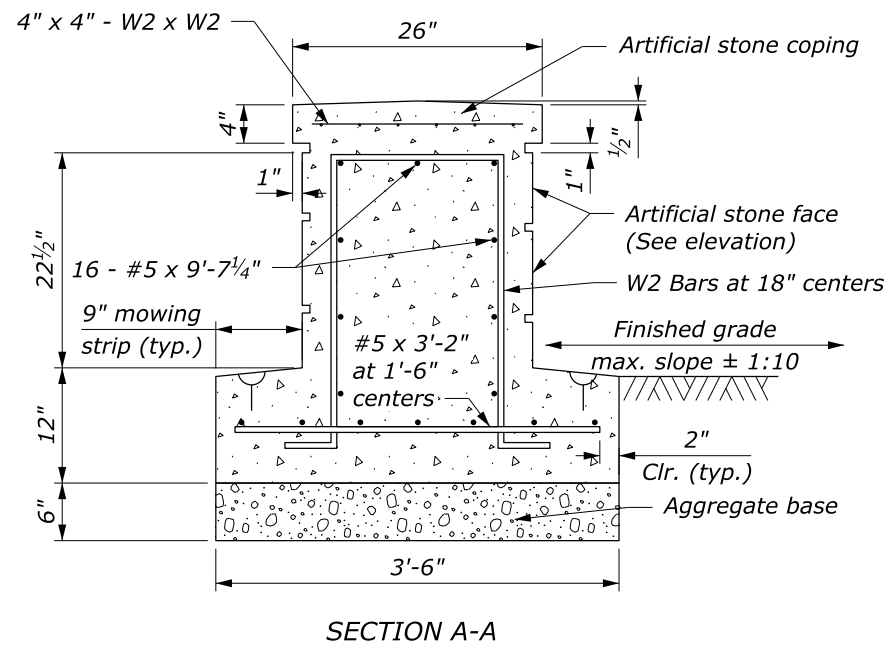
GUARDWALL FLARE RATE TABLE			
Design Speed (mph)	Shy Line Offset (ft)	Flare Rate (a:b)	
		Inside Shy Line	Outside Shy Line
60	8.0	26:1	14:1
50	6.5	21:1	11:1
40	4.5	16:1	8:1
30 and less	3.5	13:1	7:1



BENDING DIAGRAMS



PRECAST CONCRETE GUARDWALL



SECTION C-C

NO SCALE

U.S. DEPARTMENT OF TRANSPORTATION, FHWA
OFFICE OF FEDERAL LANDS HIGHWAY

PRECAST CONCRETE GUARDWALL, TYPE 1

FLH STANDARD 618-2

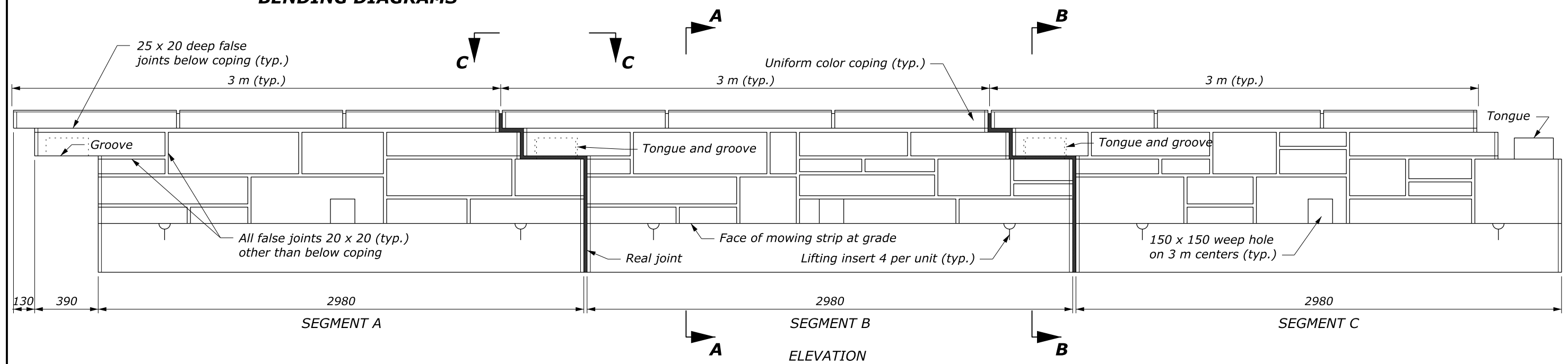
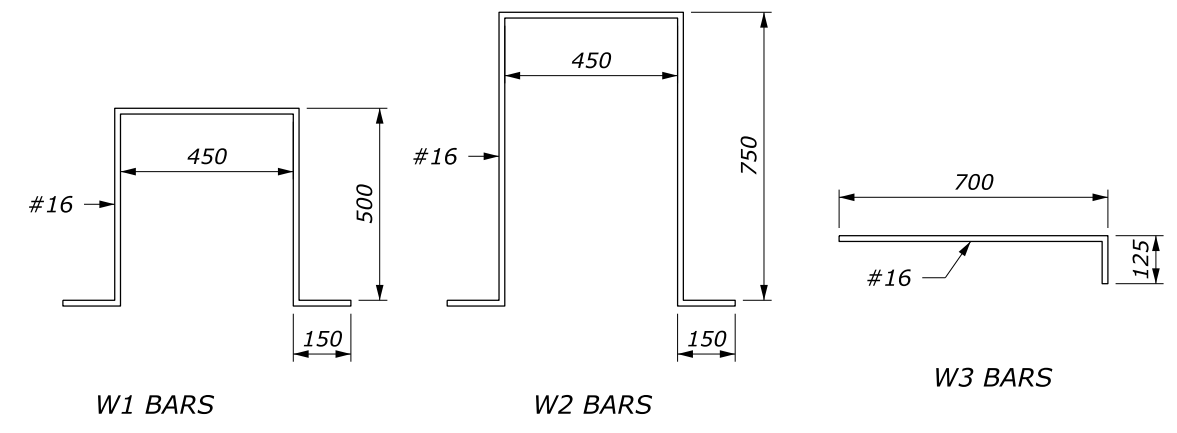
SPECIFICATION FP-14

APPROVED FOR USE 6/2005

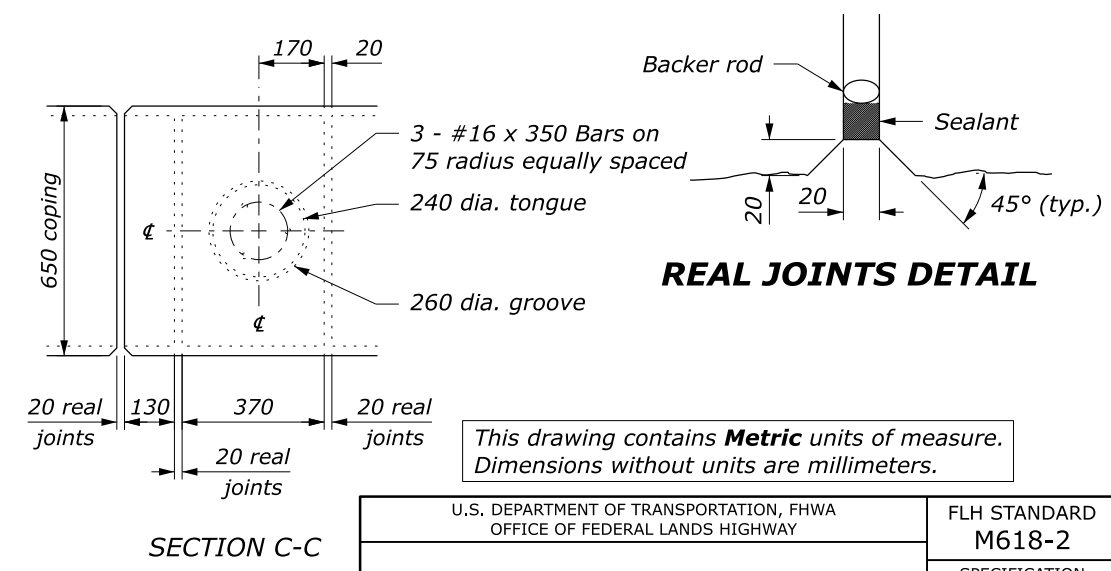
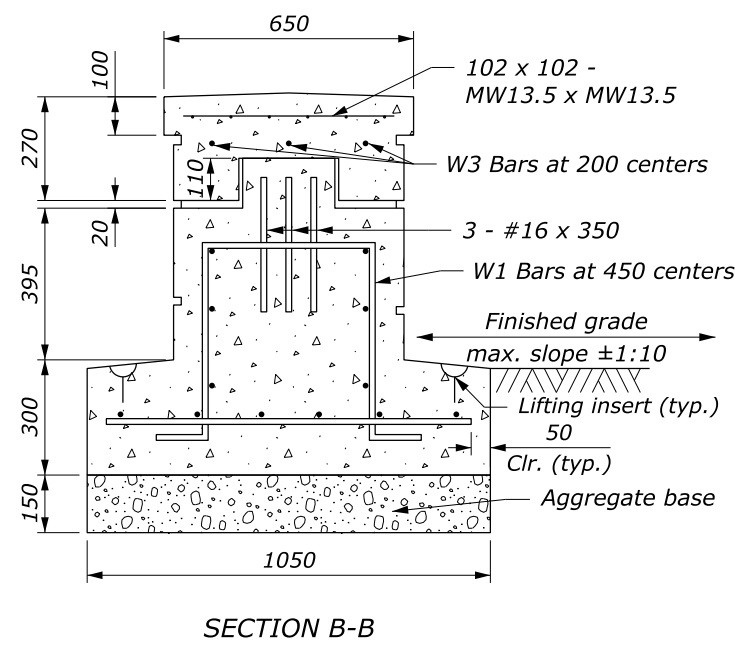
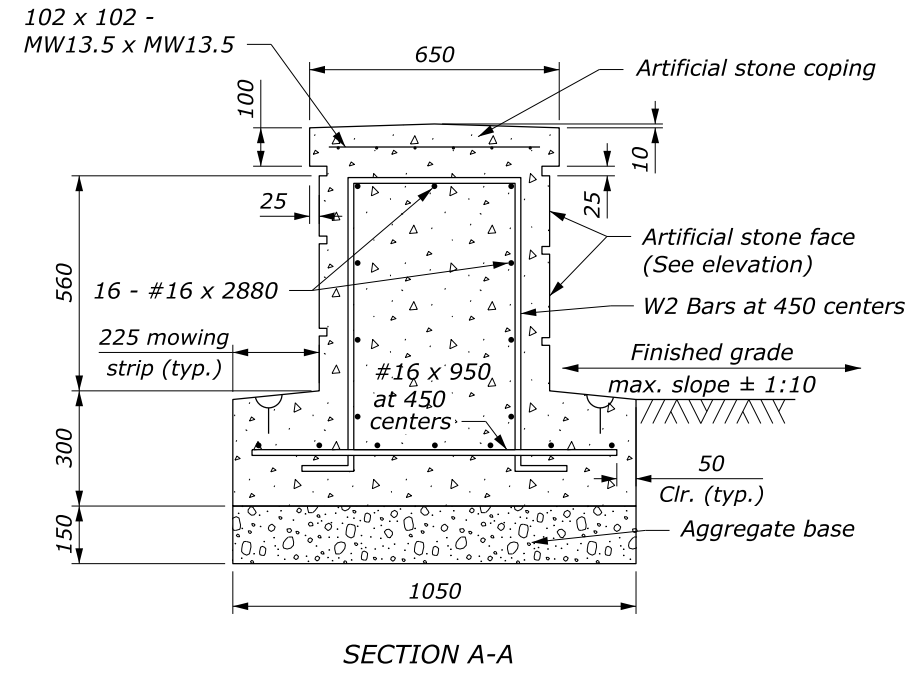
NOTE:

1. Each unit consists of three segments each of which have a different random masonry pattern as shown. All three segments are to interlock with each other to vary the order.
2. Sealant for the real joint covers the perimeter joint of the capstone, sides, and top and sides of the footing.
3. Precast the entire wall section; no cast-in-place is allowed.
4. Minimum concrete cover 50 mm unless shown otherwise.

Design Speed (km/h)	Shy Line Offset (mm)	Flare Rate (a:b)	
		Inside Shy Line	Outside Shy Line
100	2.4	26:1	14:1
80	2.0	21:1	11:1
60	1.4	16:1	8:1
50 or less	1.0	13:1	7:1



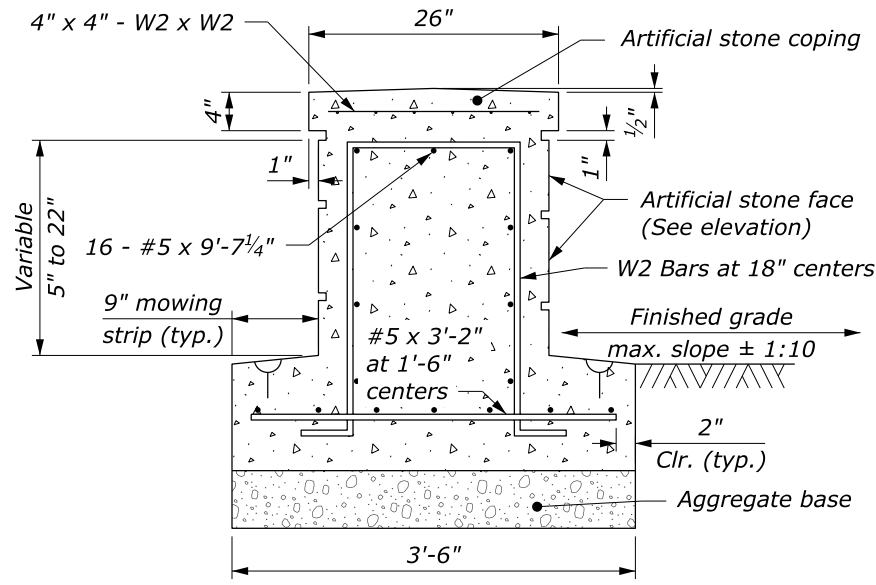
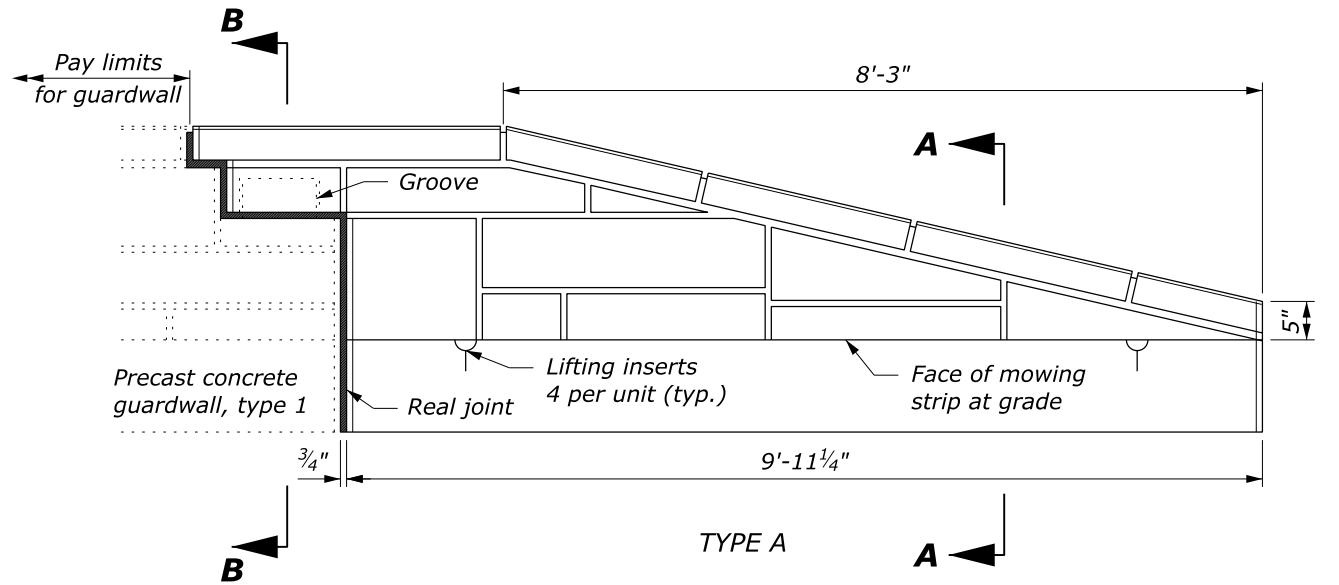
PRECAST CONCRETE GUARDWALL



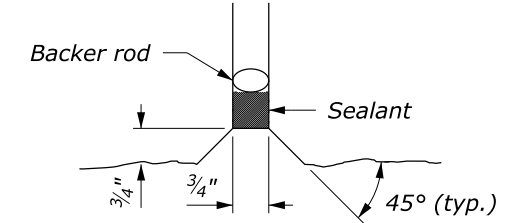
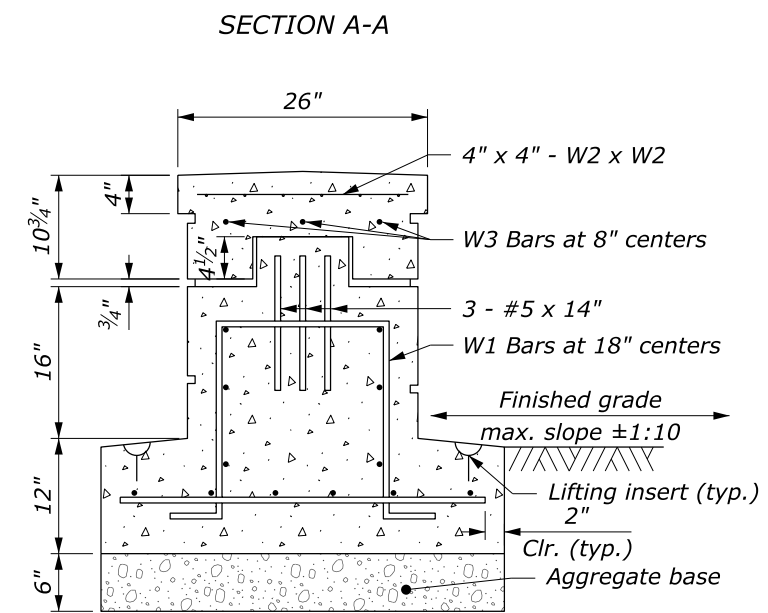
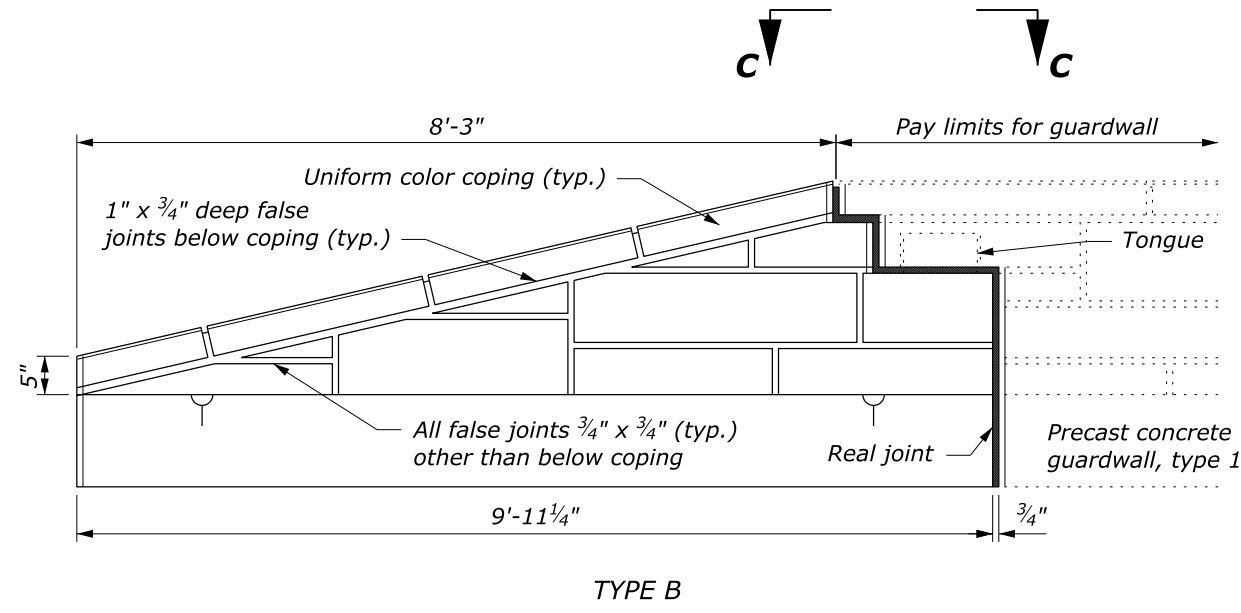
This drawing contains **Metric** units of measure. Dimensions without units are millimeters.

U.S. DEPARTMENT OF TRANSPORTATION, FHWA OFFICE OF FEDERAL LANDS HIGHWAY	FLH STANDARD M618-2
PRECAST CONCRETE GUARDWALL, TYPE 1	SPECIFICATION FP-14
	APPROVED FOR USE 6/2005

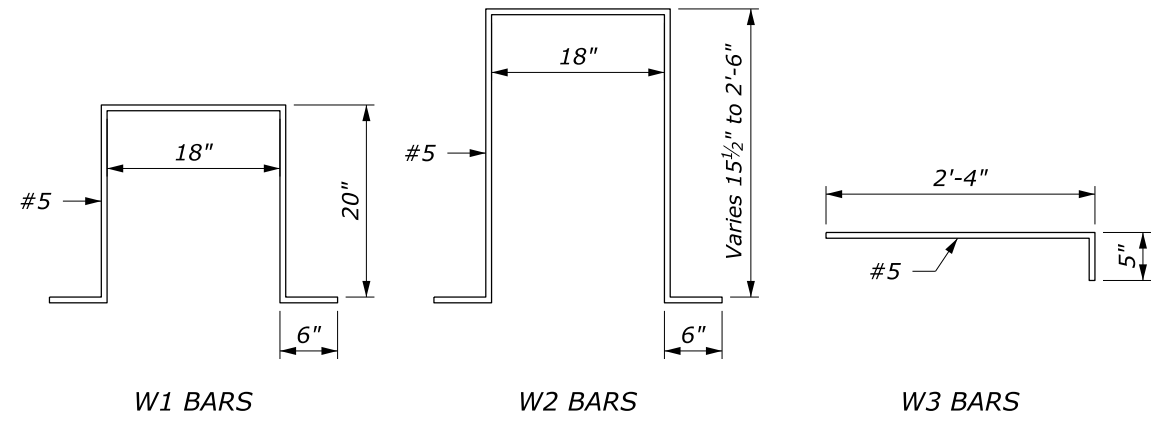
c:\pwwork\0245099\Std618-2fp14.dgn [Std: M618-2] 13 June 2024 10:34 AM



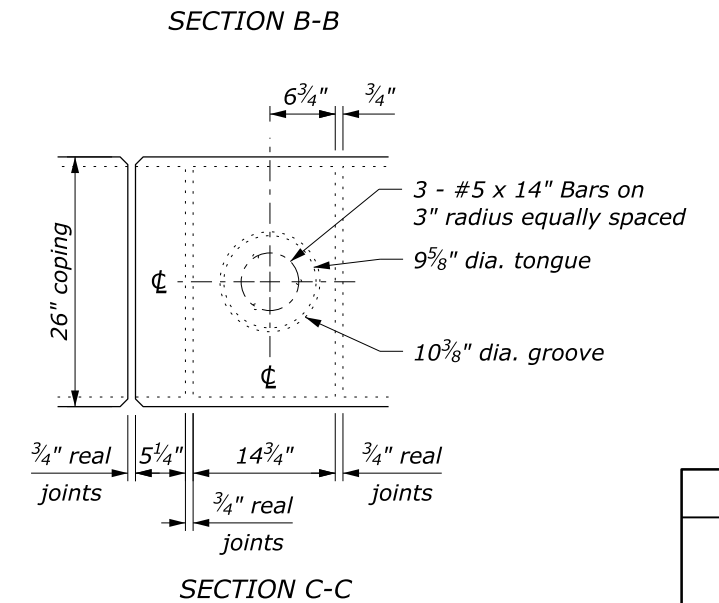
- NOTE:**
1. Terminal sections, Type A and Type B, interlock with any of the precast concrete guardwall segments.
 2. Sealant for the real joint covers the perimeter joint of the capstone, sides, and top and sides of the footing.
 3. Precast the entire wall section; no cast-in-place allowed.
 4. Minimum concrete cover 2" unless shown otherwise.
 5. Place guardwall terminal section outside the clear zone by using the appropriate flare rate in guardwall layout (see Standard 618-2) and as directed.



TERMINAL SECTIONS



BENDING DIAGRAMS

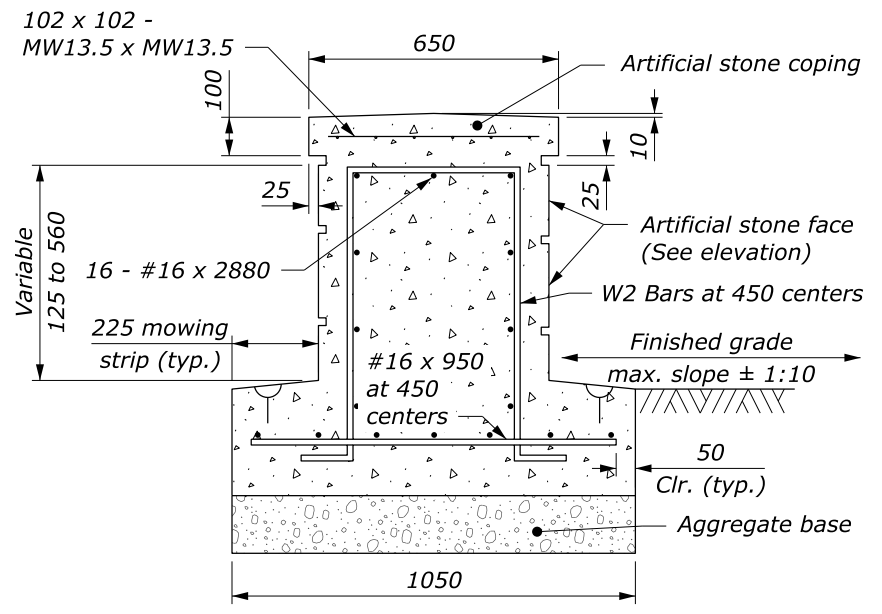
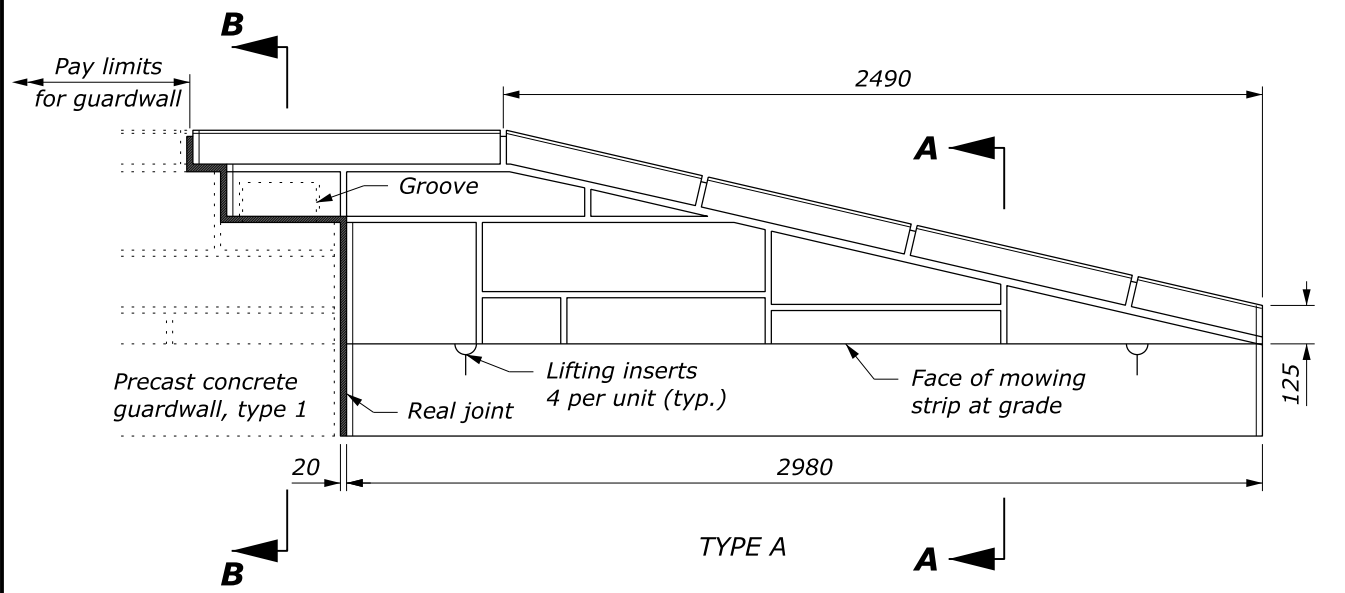


SECTION C-C

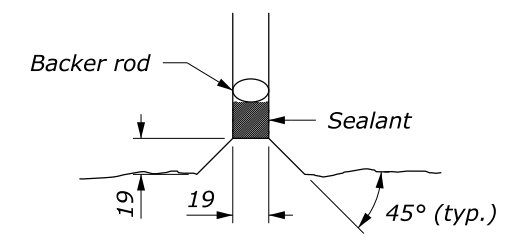
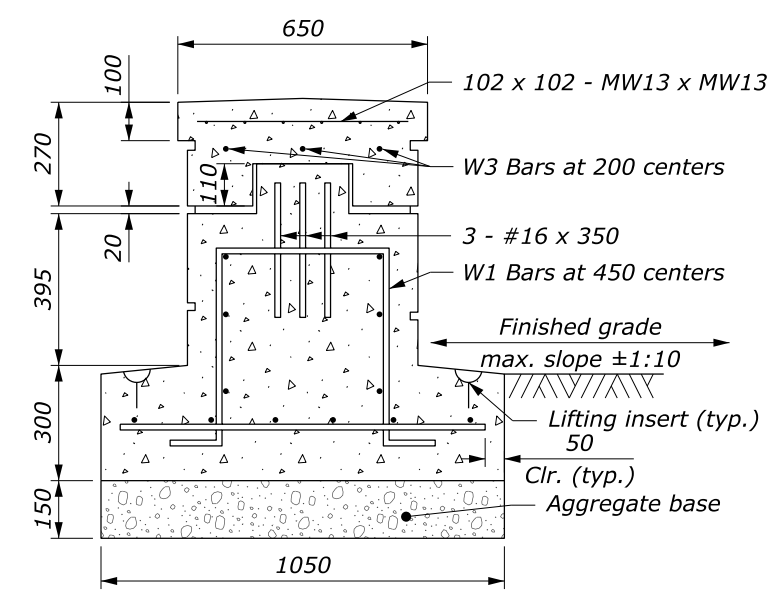
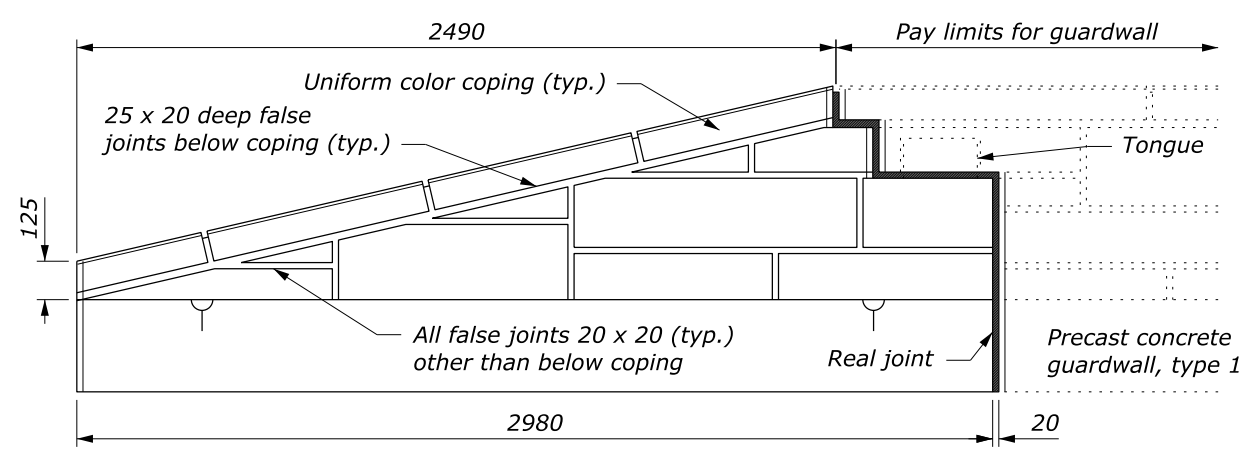
NO SCALE

U.S. DEPARTMENT OF TRANSPORTATION, FHWA OFFICE OF FEDERAL LANDS HIGHWAY	FLH STANDARD 618-3
PRECAST CONCRETE GUARDWALL, TYPE 1, TERMINAL SECTIONS, TYPE A AND B	SPECIFICATION FP-14
	APPROVED FOR USE 6/2005

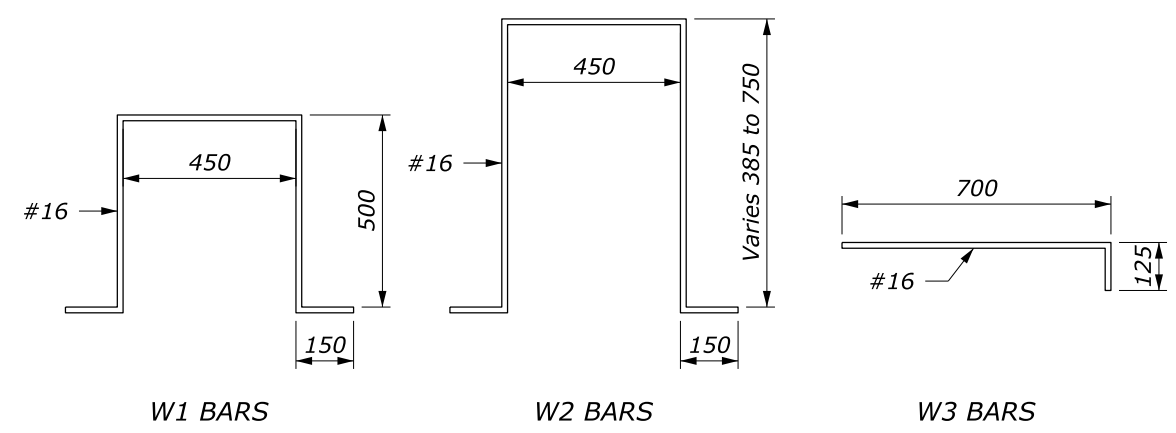
c:\pwwork\0245099\Std618-3\fp1.4.dgn [Std 618-3] 13 June 2024 12:46 PM



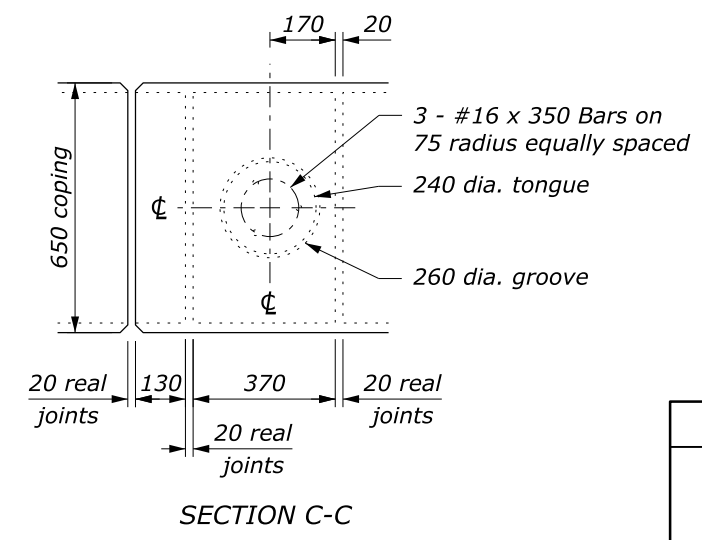
- NOTE:**
1. Terminal sections, Type A and Type B, interlock with any of the precast concrete guardwall segments.
 2. Sealant for the real joint covers the perimeter joint of the capstone, sides, and top and sides of the footing.
 3. Precast the entire wall section; no cast-in-place allowed.
 4. Minimum concrete cover 50 mm unless shown otherwise.
 5. Place guardwall terminal section outside the clear zone by using the appropriate flare rate in guardwall layout (see Standard M618-2) and as directed.



TERMINAL SECTIONS



BENDING DIAGRAMS



SECTION C-C

NO SCALE

This drawing contains **Metric** units of measure. Dimensions without units are millimeters.

U.S. DEPARTMENT OF TRANSPORTATION, FHWA OFFICE OF FEDERAL LANDS HIGHWAY	FLH STANDARD M618-3
PRECAST CONCRETE GUARDWALL, TYPE 1, TERMINAL SECTIONS, TYPE A AND B	SPECIFICATION FP-14
	APPROVED FOR USE 6/2005

c:\pwwork\0568909\Std618-3fp14.dgn [Std: M618-3] 28 November 2023 3:40 PM