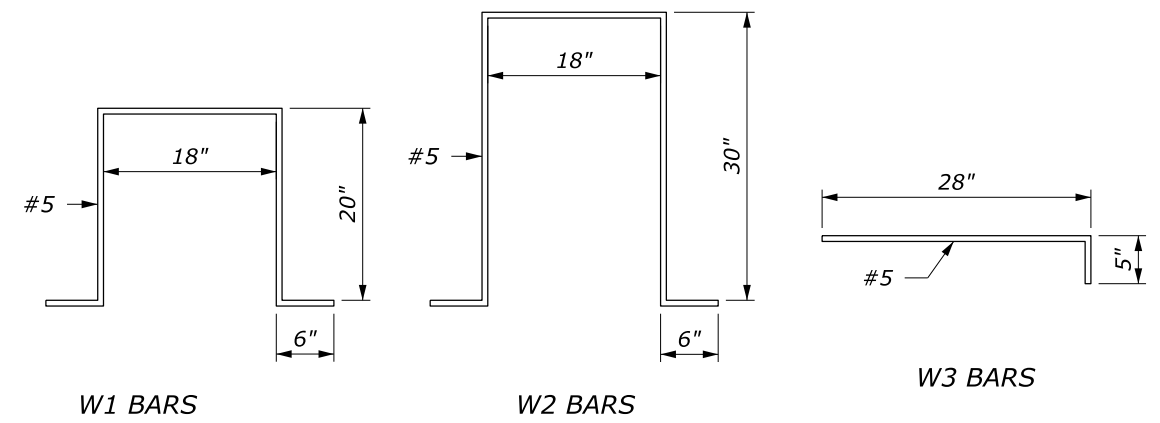


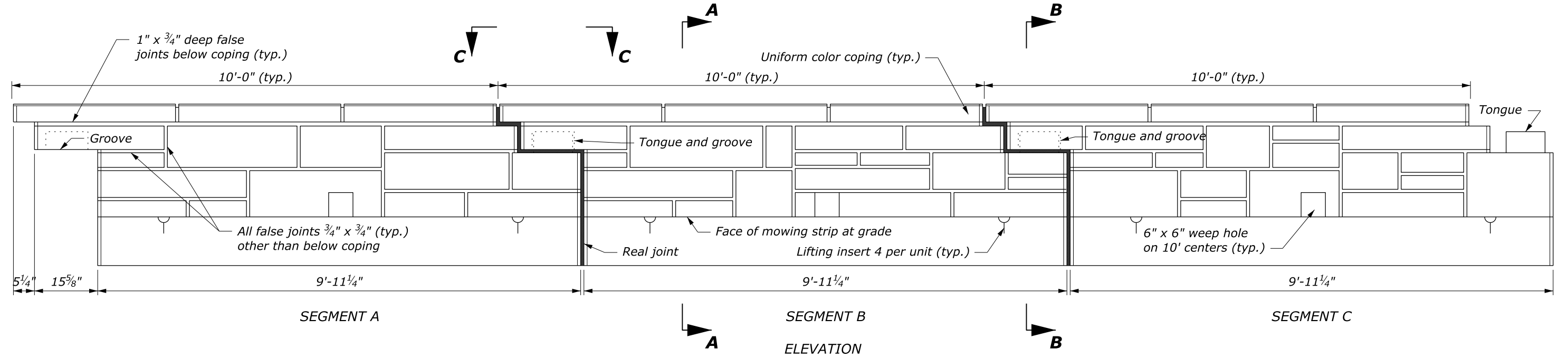
NOTE:

- Each unit consists of three segments each of which have a different random masonry pattern as shown. All three segments are to interlock with each other to vary the order.
- Sealant for the real joint covers the perimeter joint of the capstone, sides, and top and sides of the footing.
- Precast the entire wall section; no cast-in-place is allowed.
- Minimum concrete cover 2" unless shown otherwise.

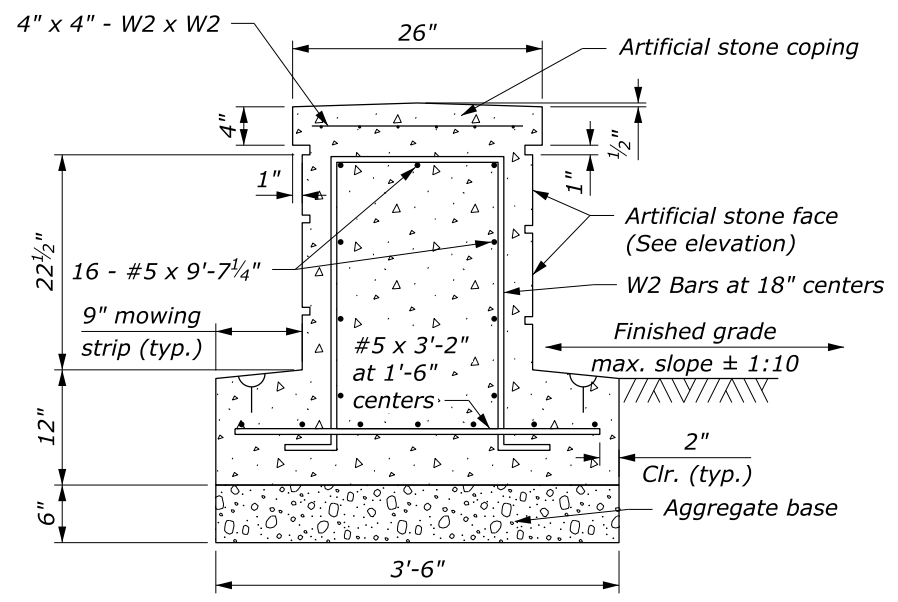
GUARDWALL FLARE RATE TABLE			
Design Speed (mph)	Shy Line Offset (ft)	Flare Rate (a:b)	
		Inside Shy Line	Outside Shy Line
60	8.0	26:1	14:1
50	6.5	21:1	11:1
40	4.5	16:1	8:1
30 and less	3.5	13:1	7:1



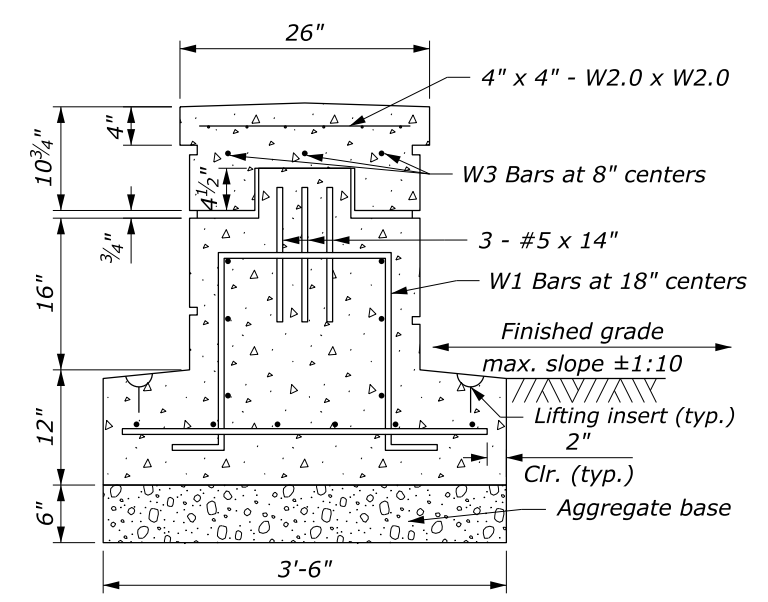
BENDING DIAGRAMS



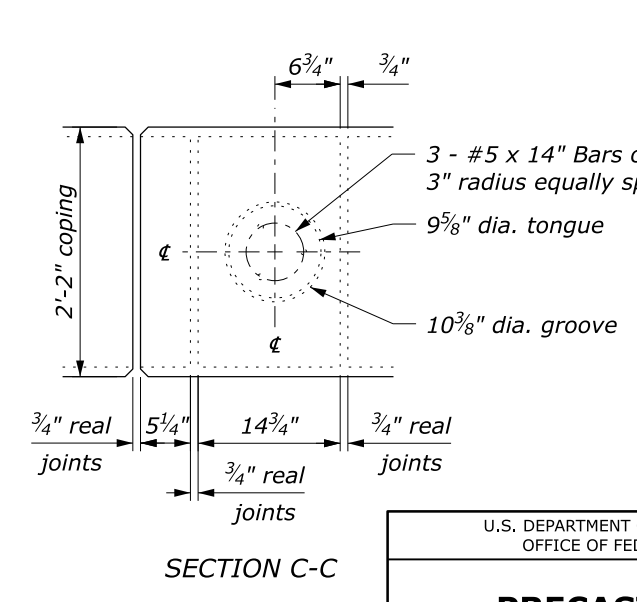
PRECAST CONCRETE GUARDWALL



SECTION A-A

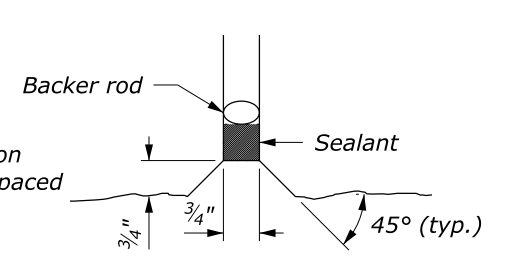


SECTION B-B



SECTION C-C

NO SCALE



REAL JOINTS DETAIL

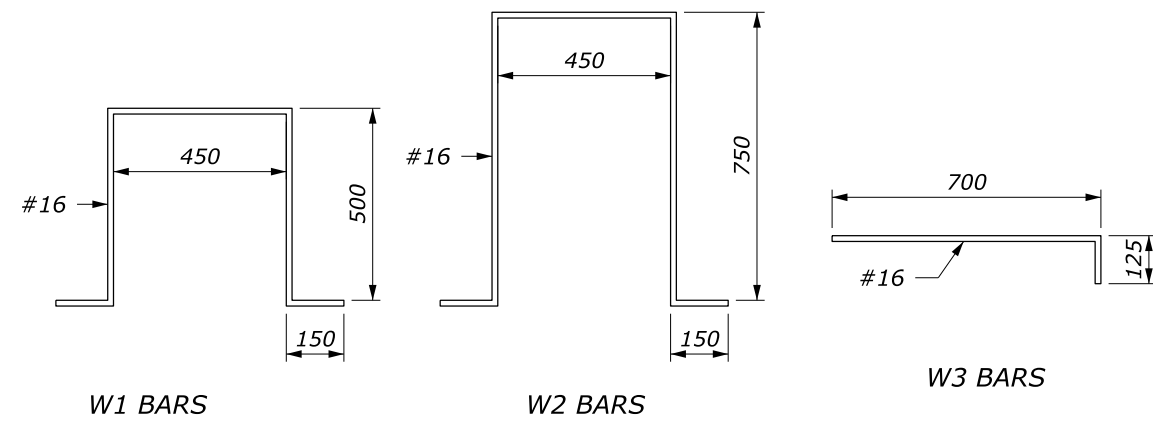
U.S. DEPARTMENT OF TRANSPORTATION, FHWA OFFICE OF FEDERAL LANDS HIGHWAY	FLH STANDARD 618-2
PRECAST CONCRETE GUARDWALL, TYPE 1	SPECIFICATION FP-14
	APPROVED FOR USE 6/2005

c:\pwwork\0245099\Std618-2\fp14.dgn [Std 618-2] 13 June 2024 11:44 AM

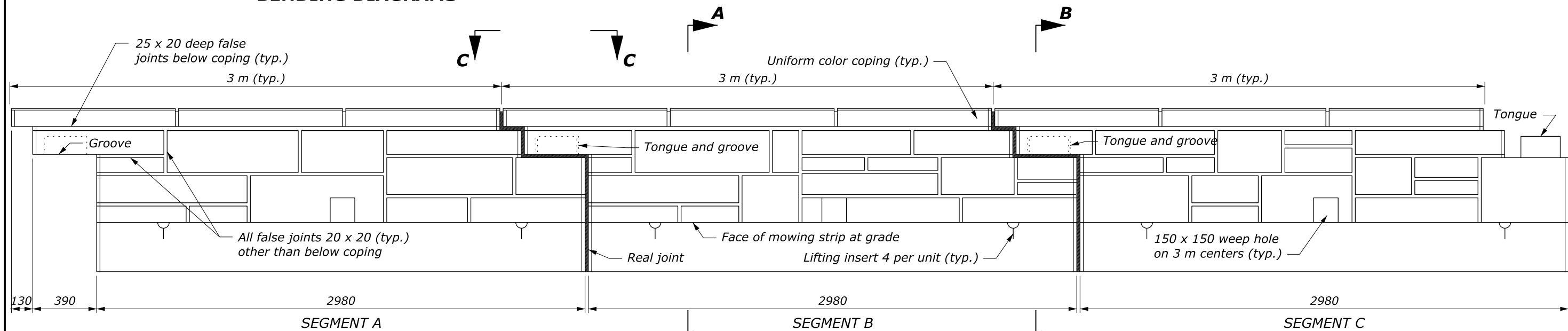
NOTE:

1. Each unit consists of three segments each of which have a different random masonry pattern as shown. All three segments are to interlock with each other to vary the order.
2. Sealant for the real joint covers the perimeter joint of the capstone, sides, and top and sides of the footing.
3. Precast the entire wall section; no cast-in-place is allowed.
4. Minimum concrete cover 50 mm unless shown otherwise.

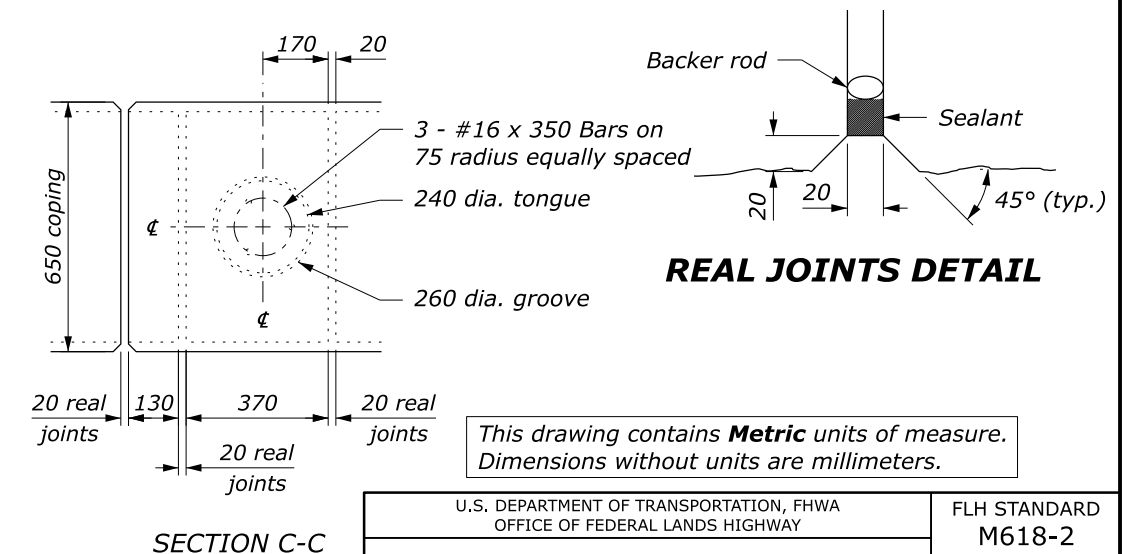
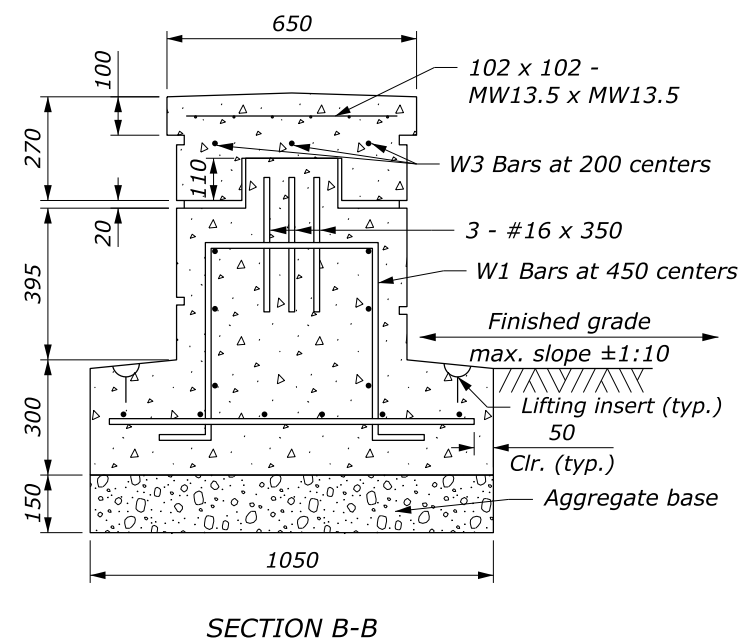
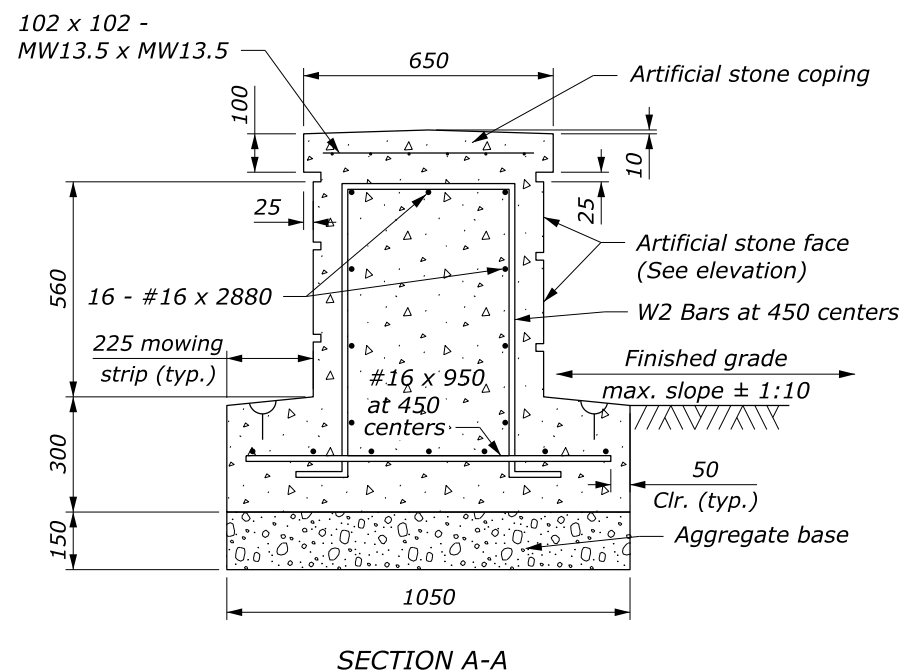
Design Speed (km/h)	Shy Line Offset (mm)	Flare Rate (a:b)	
		Inside Shy Line	Outside Shy Line
100	2.4	26:1	14:1
80	2.0	21:1	11:1
60	1.4	16:1	8:1
50 or less	1.0	13:1	7:1



BENDING DIAGRAMS



PRECAST CONCRETE GUARDWALL



This drawing contains **Metric** units of measure. Dimensions without units are millimeters.

U.S. DEPARTMENT OF TRANSPORTATION, FHWA OFFICE OF FEDERAL LANDS HIGHWAY	FLH STANDARD M618-2
PRECAST CONCRETE GUARDWALL, TYPE 1	SPECIFICATION FP-14
	APPROVED FOR USE 6/2005

NO SCALE