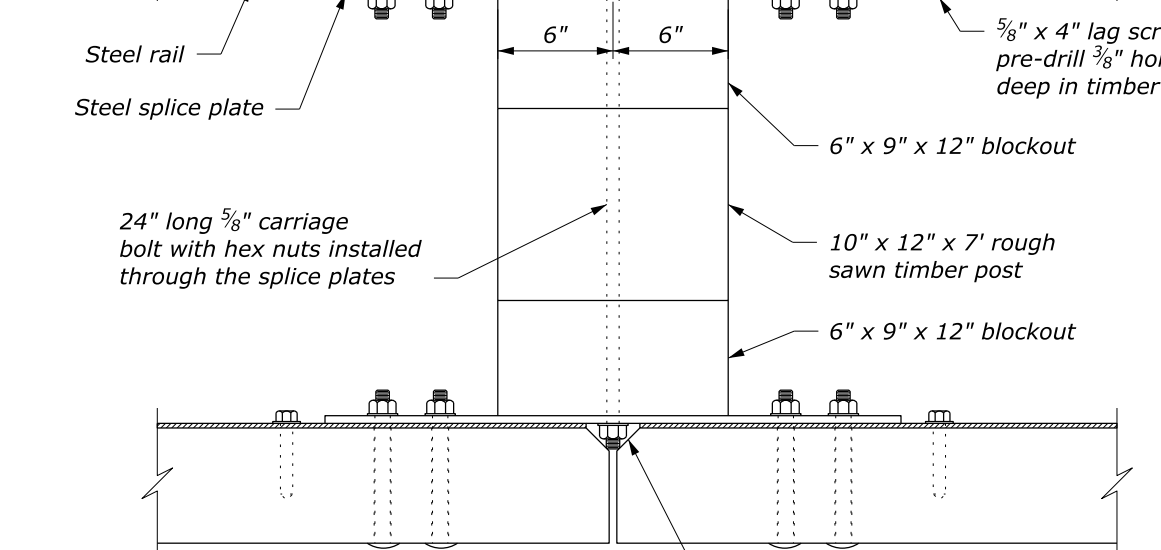
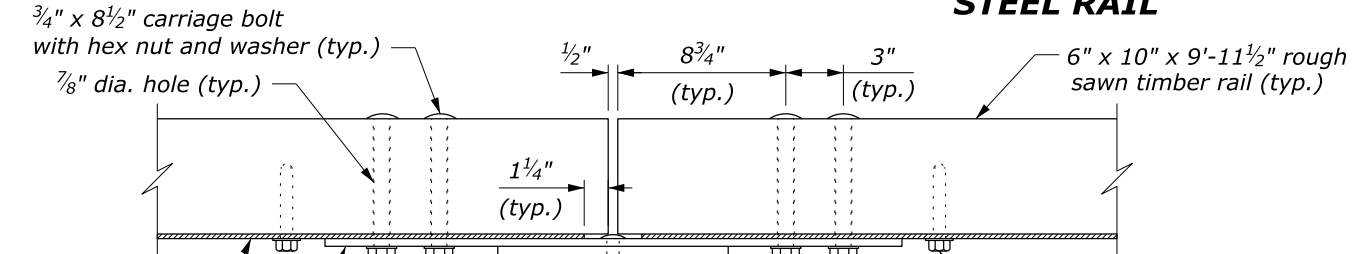


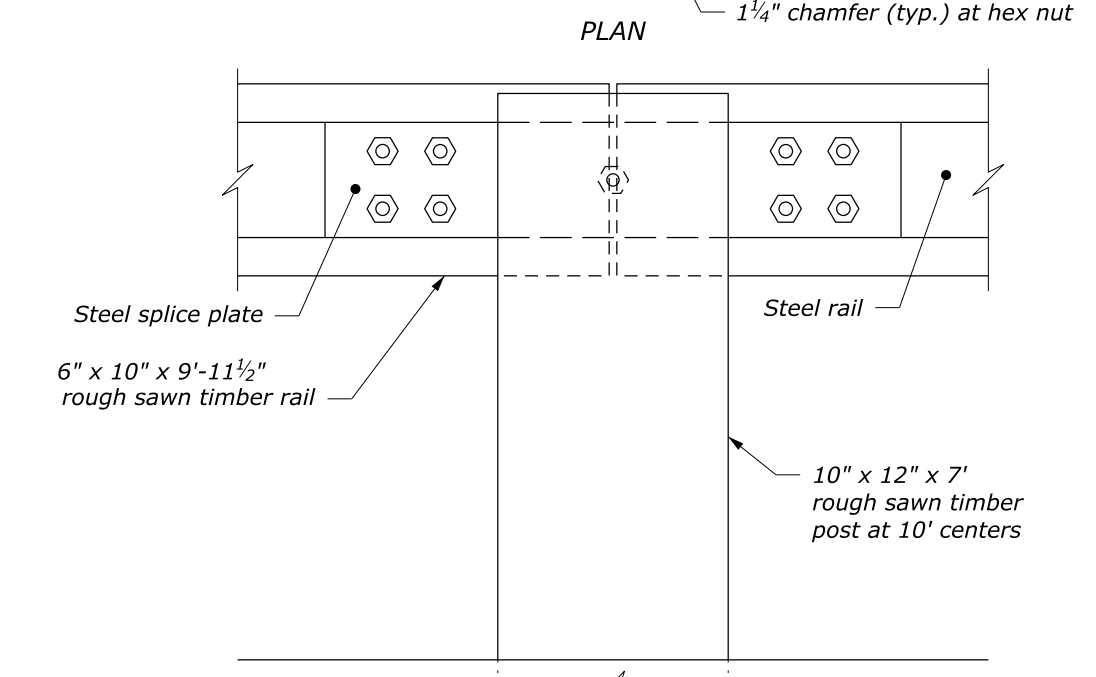
STEEL RAIL



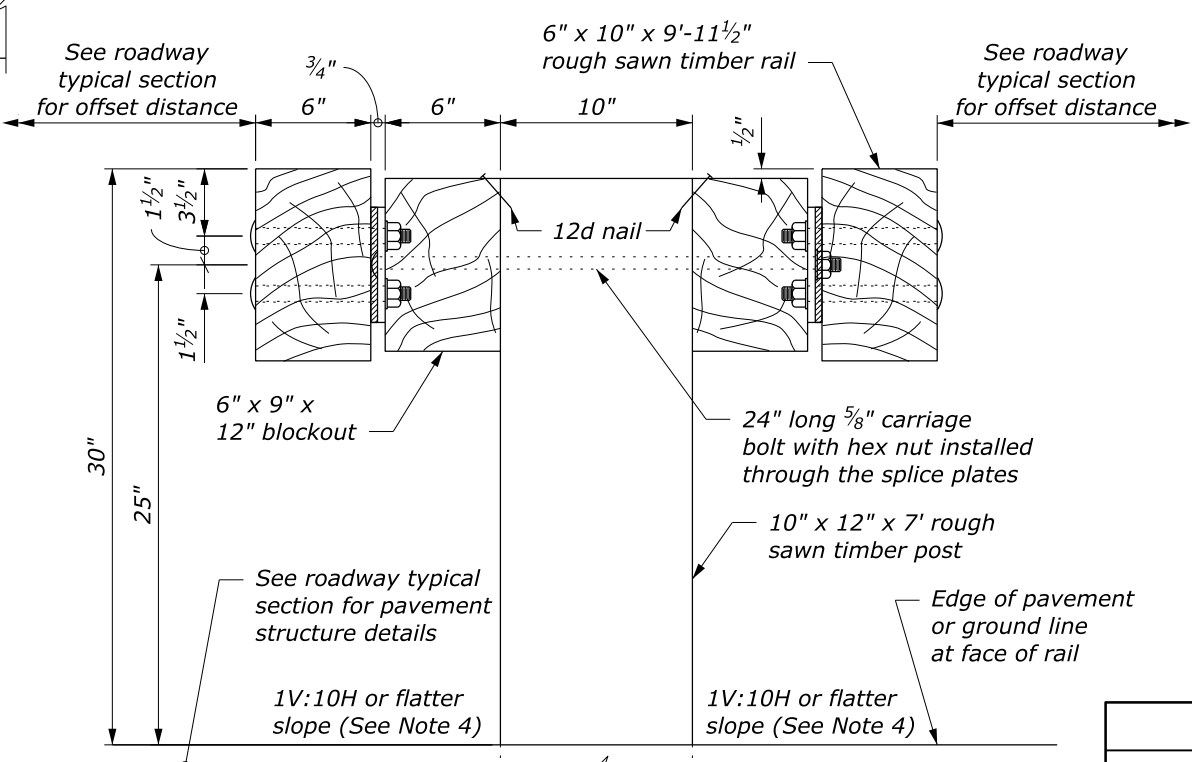
STEEL SPLICE PLATE

NOTE:

1. Use weathering steel for all structural steel and fastener hardware as specified.
2. Place terminal on both approach and trailing ends of median barrier installations. Use Type A blocked-out systems as shown in Standards 617-61 and 617-62.
3. Use no more than 3 short guardrail posts in a row. 25 inch diameter round anchors may be used instead of the square anchor shown. A reduced size is acceptable in solid rock as approved.
4. In areas where the rail face is offset a minimum of 20 feet from the edge of travel lane, a maximum approach shoulder slope of 1V:6H may be used.

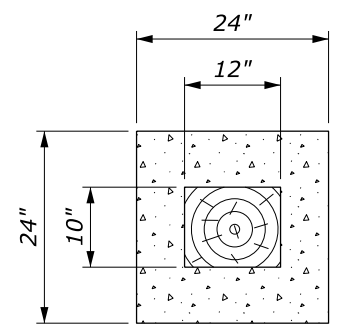


BACK ELEVATION POST CONNECTION

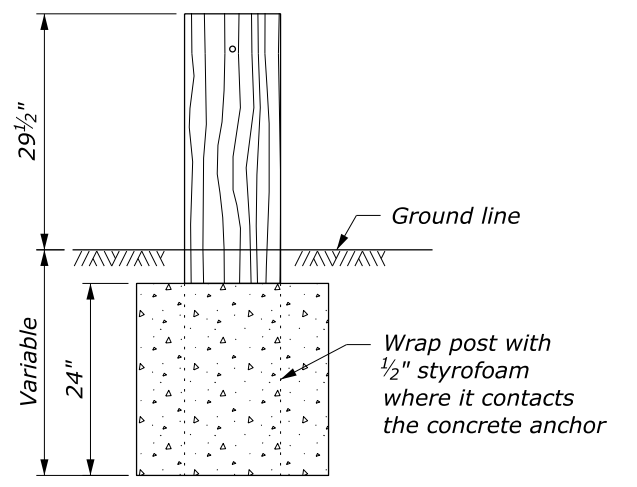


TYPICAL GUARDRAIL CROSS SECTION

NO SCALE



PLAN



ELEVATION

CONCRETE ANCHOR FOR SHORT GUARDRAIL POST
See Note 3

U.S. DEPARTMENT OF TRANSPORTATION, FHWA OFFICE OF FEDERAL LANDS HIGHWAY	FLH STANDARD 617-70
STEEL-BACKED TIMBER GUARDRAIL, MEDIAN TYPE A	SPECIFICATION FP-24, FP-14
	APPROVED FOR USE 8/2025

