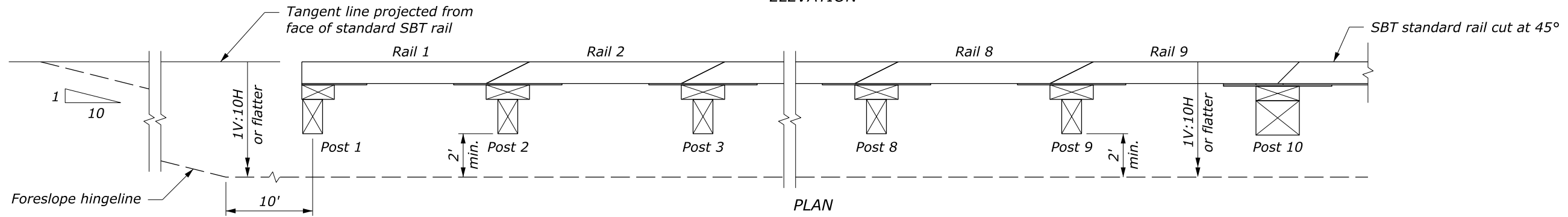
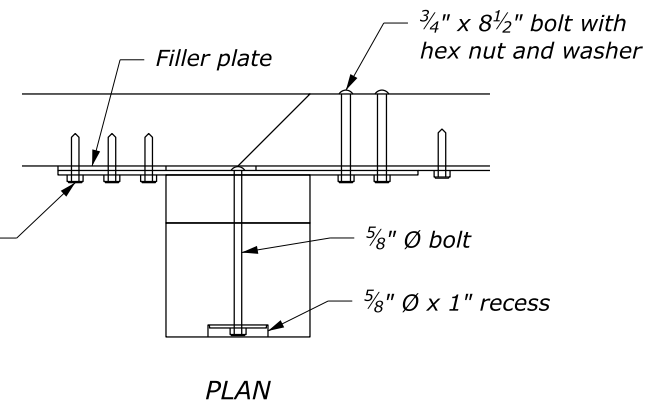
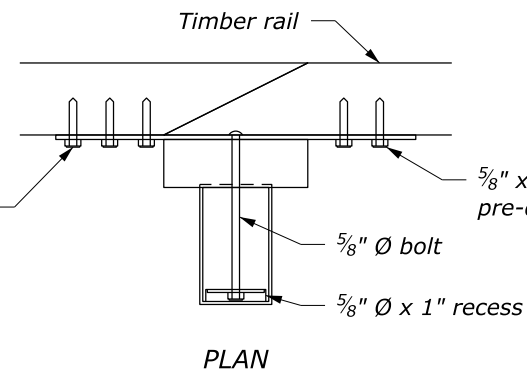
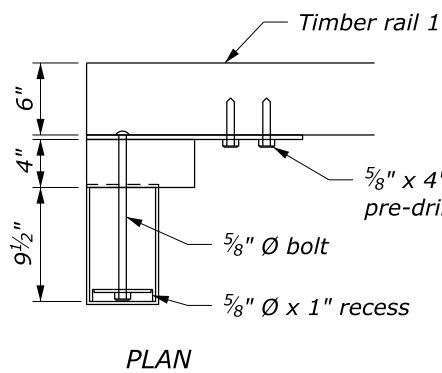
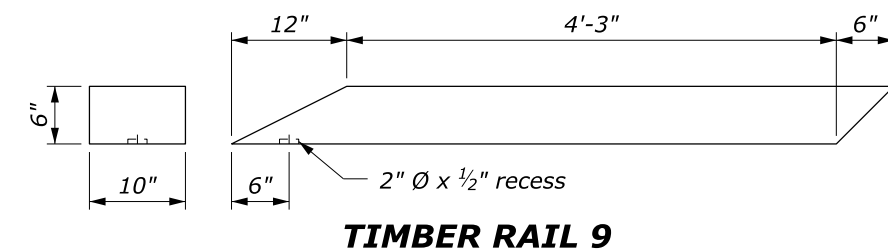
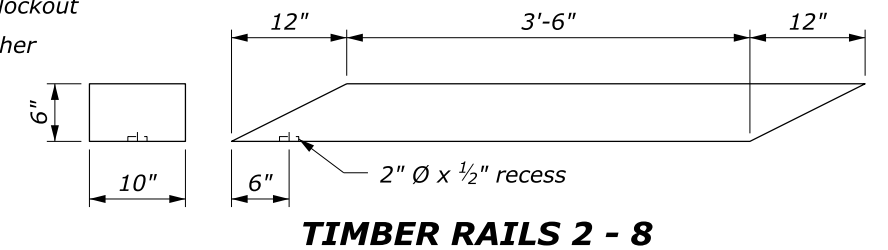
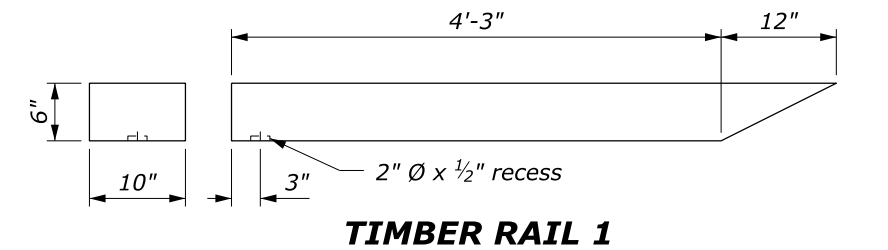
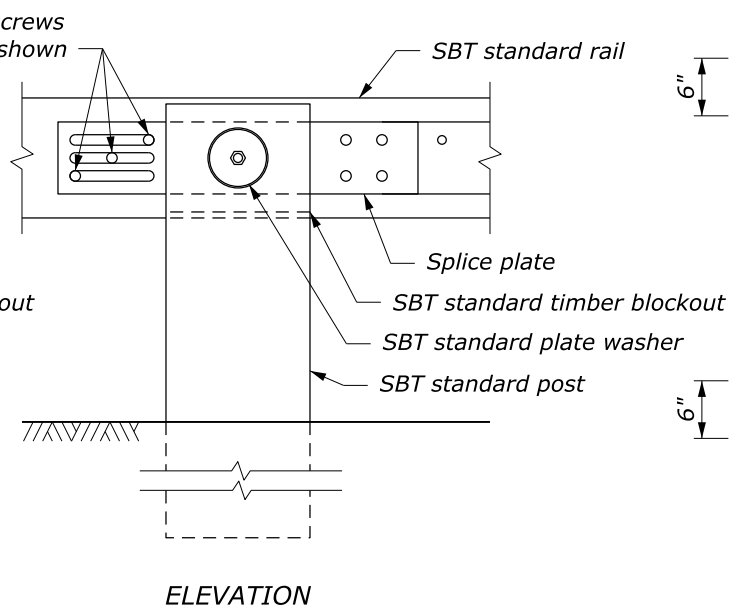
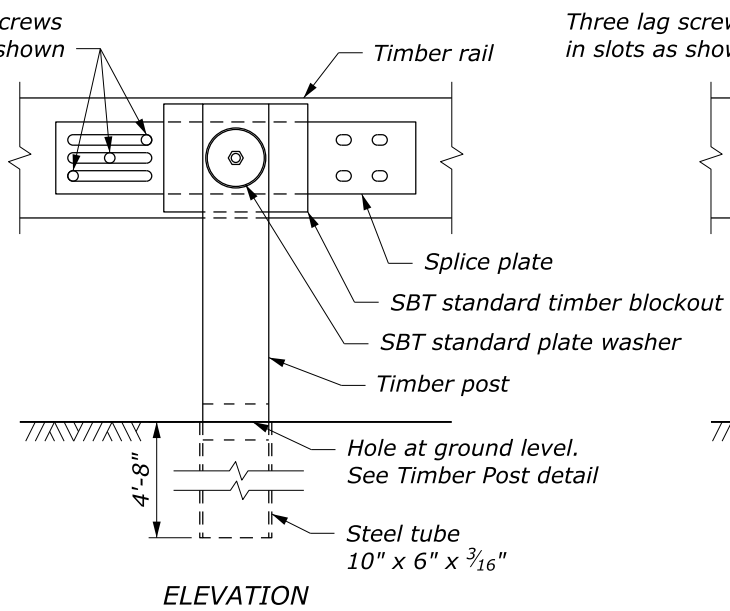
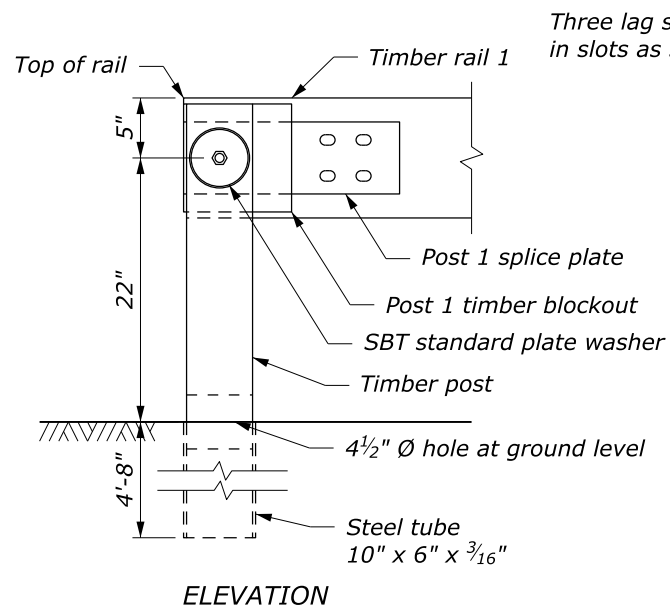


- NOTE:**
1. See Standard 617-60 for standard SBT guardrail details.
 2. Use weathering steel for all structural steel and fastener hardware.



TERMINAL LAYOUT



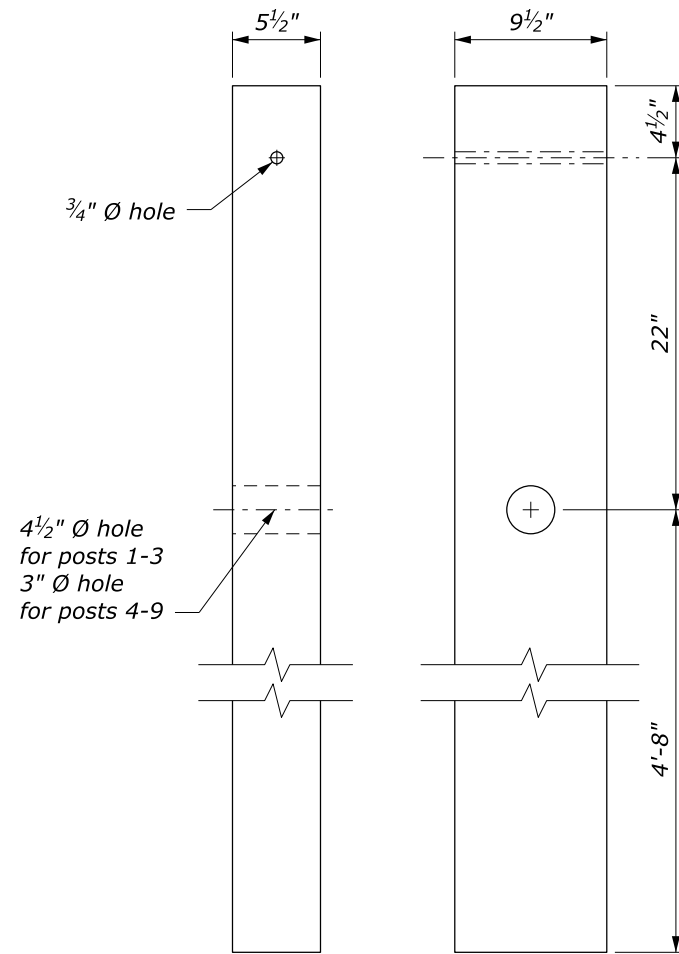
POST 1/RAIL CONNECTION

POSTS 2-9/RAIL CONNECTION

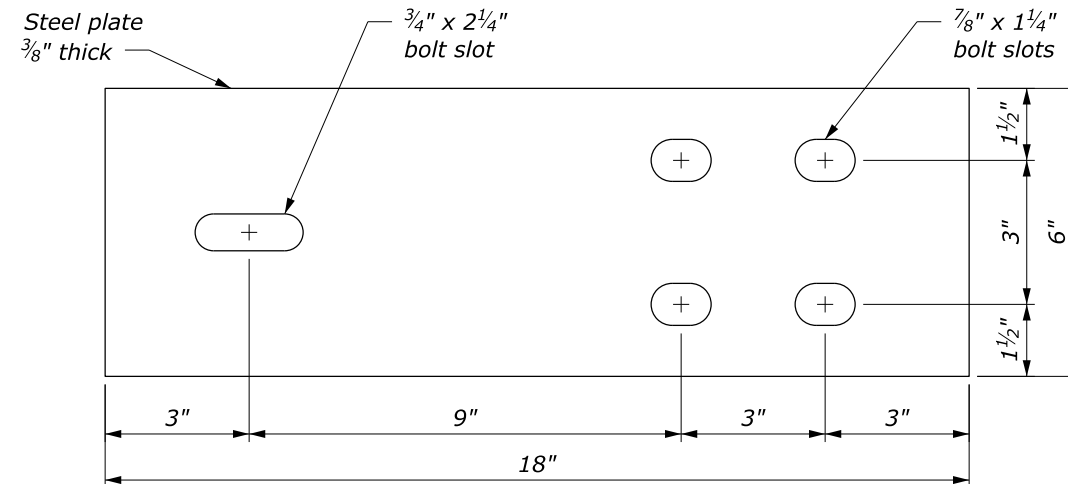
POST 10/RAIL CONNECTION

NO SCALE

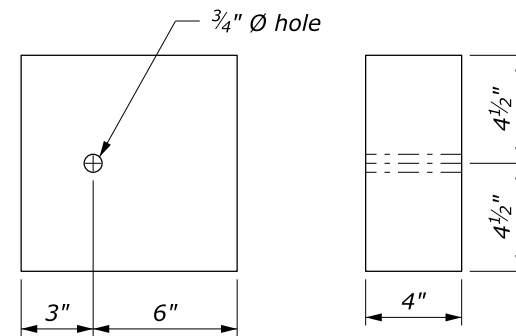
U.S. DEPARTMENT OF TRANSPORTATION, FHWA OFFICE OF FEDERAL LANDS HIGHWAY	FLH STANDARD 617-69
STEEL-BACKED TIMBER GUARDRAIL TL-2 END TERMINAL	SPECIFICATION FP-24, FP-14
Sheet 1 of 2	APPROVED FOR USE 2/2024



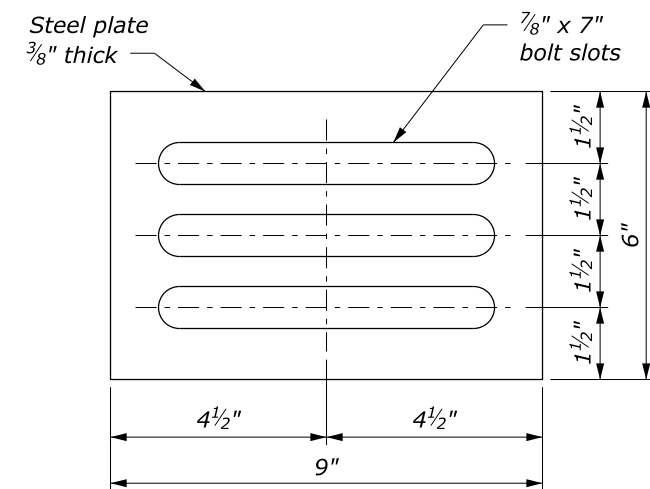
TIMBER POSTS
Posts 1 to 9



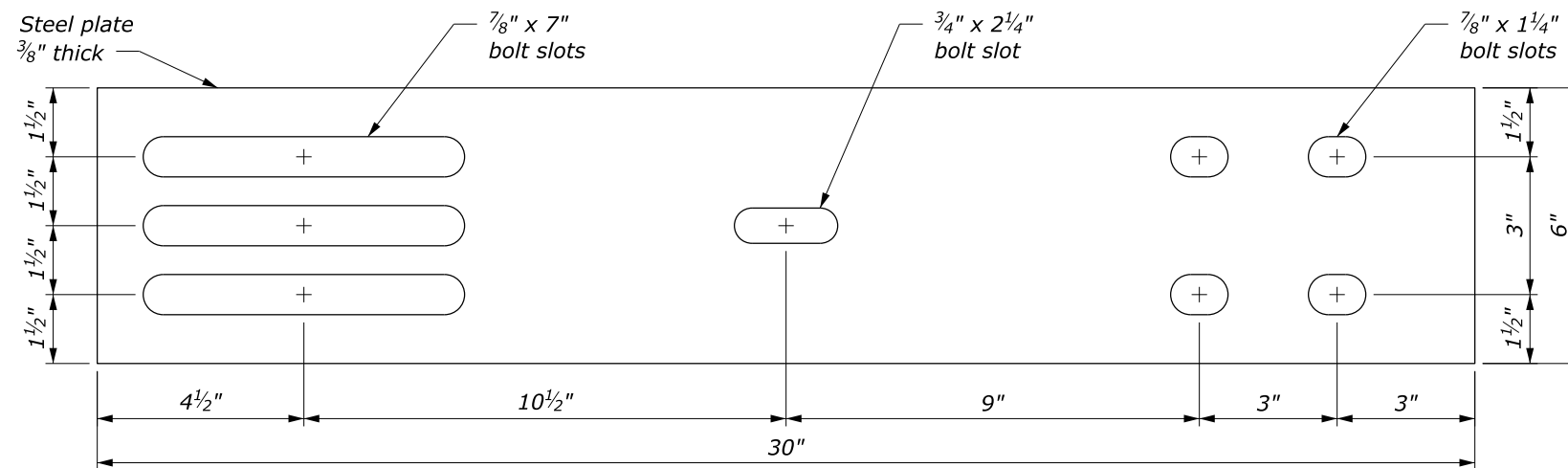
POST 1 SPLICE PLATE



POST 1 TIMBER BLOCKOUT



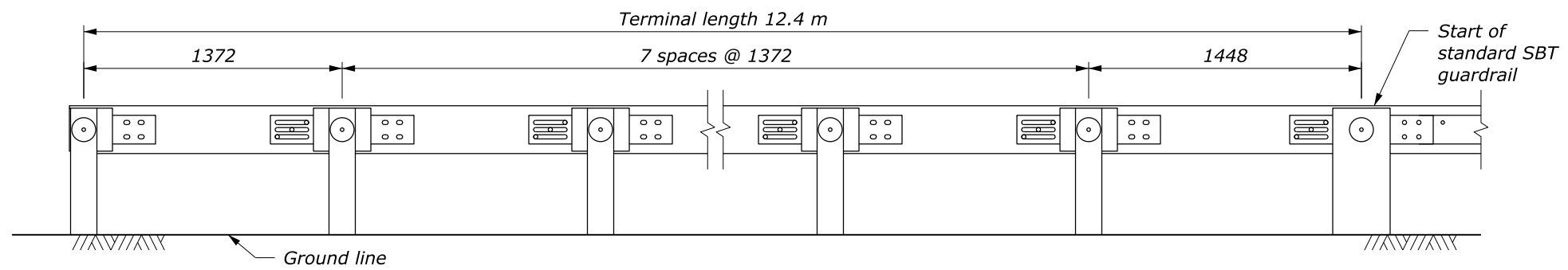
FILLER PLATE
Post 10



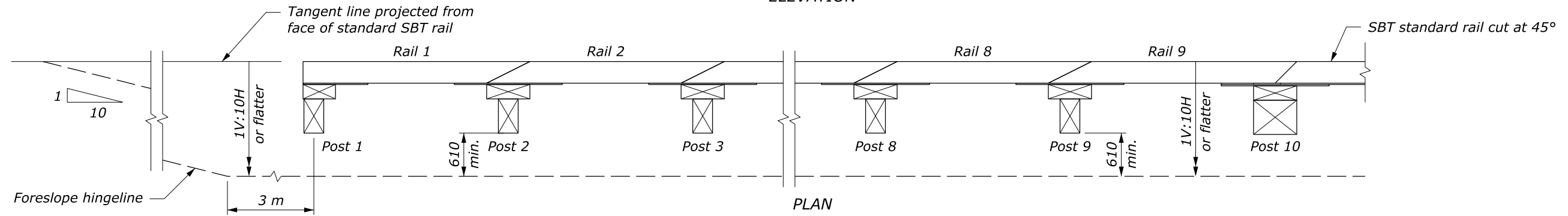
SPLICE PLATE
Posts 2 to 10

c:\pwwork\00419223\Std617-69.dgn [Std 617-69b] 21 June 2024 1:39 PM

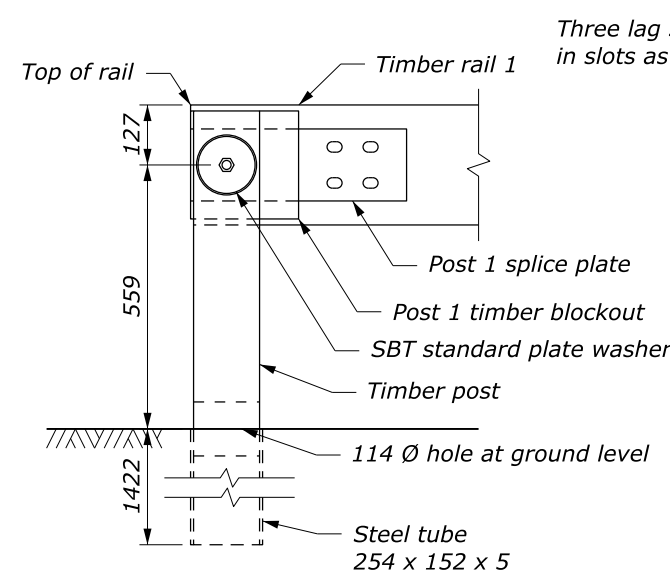
U.S. DEPARTMENT OF TRANSPORTATION, FHWA OFFICE OF FEDERAL LANDS HIGHWAY	FLH STANDARD 617-69
STEEL-BACKED TIMBER GUARDRAIL TL-2 END TERMINAL	SPECIFICATION FP-24, FP-14
Sheet 2 of 2	APPROVED FOR USE 2/2024



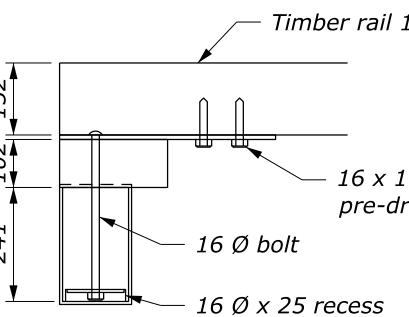
- NOTE:**
1. See Standard M617-60 for standard SBT guardrail details.
 2. Use weathering steel for all structural steel and fastener hardware.



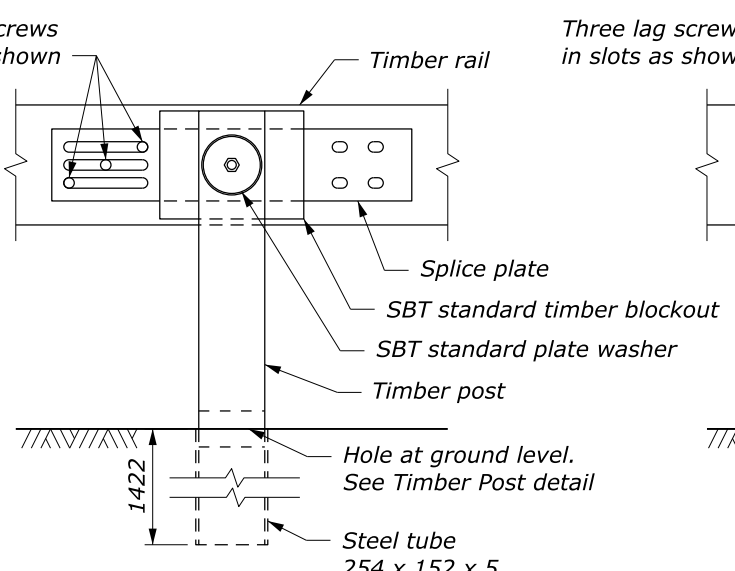
TERMINAL LAYOUT



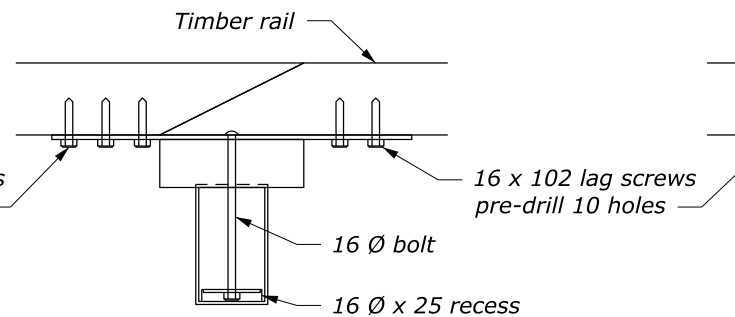
ELEVATION



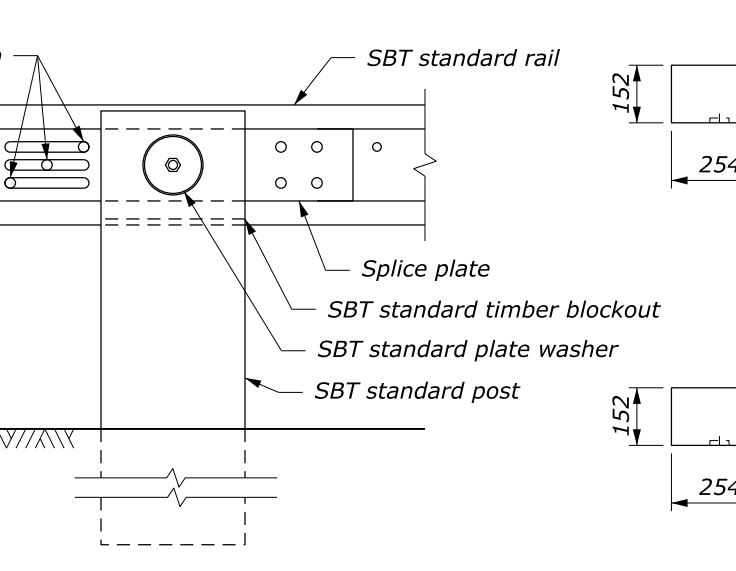
PLAN
POST 1/RAIL CONNECTION



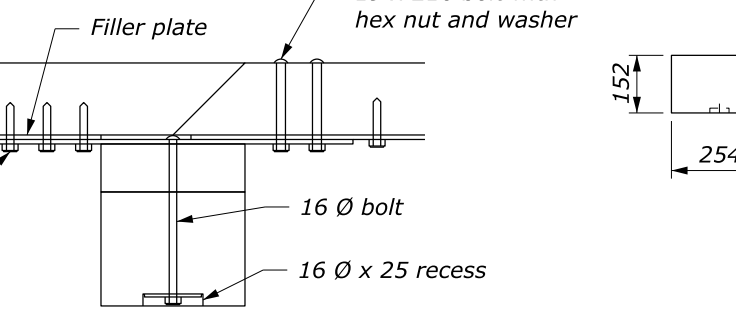
ELEVATION



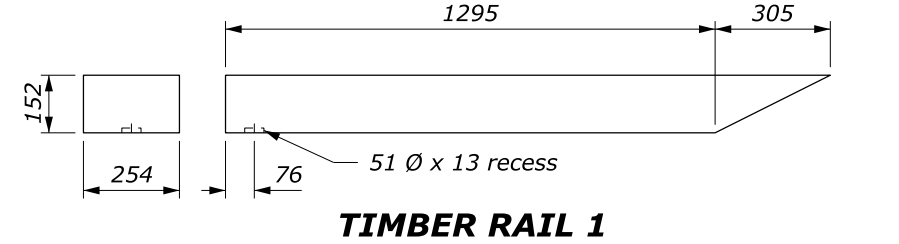
PLAN
POSTS 2-9/RAIL CONNECTION



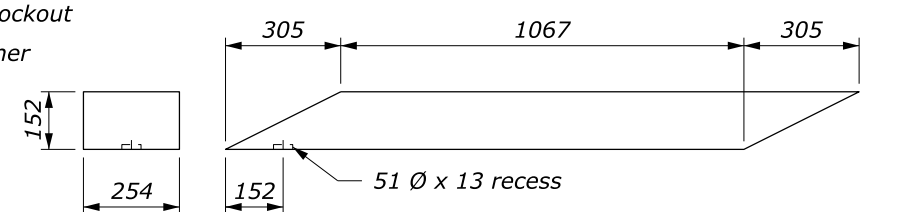
ELEVATION



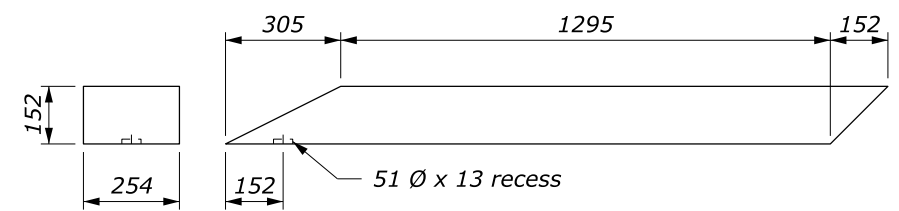
PLAN
POST 10/RAIL CONNECTION



TIMBER RAIL 1



TIMBER RAILS 2 - 8



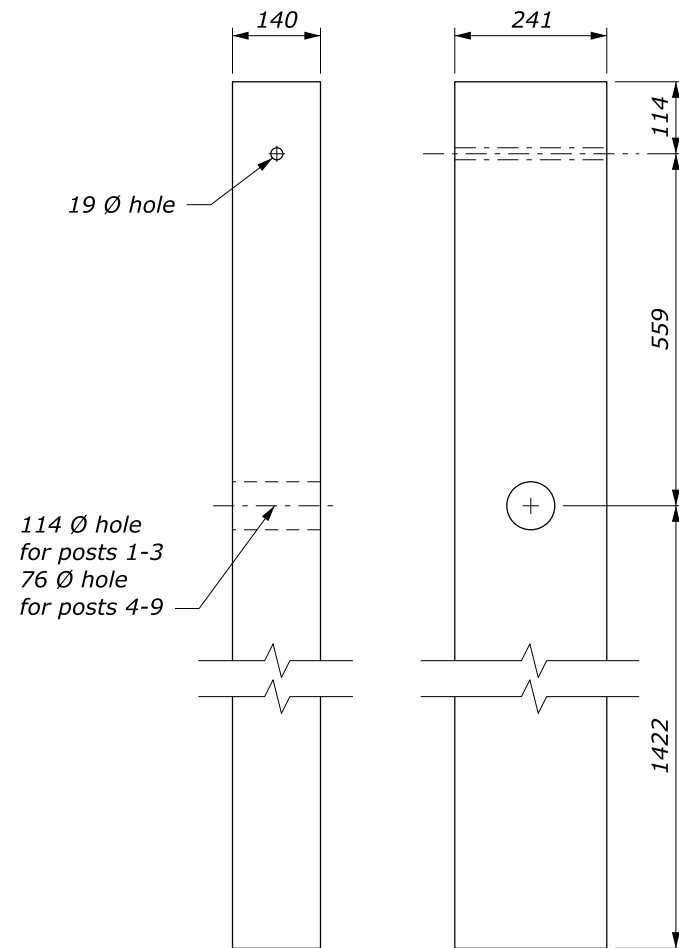
TIMBER RAIL 9

This drawing contains **Metric** units of measure. Dimensions without units are millimeters.

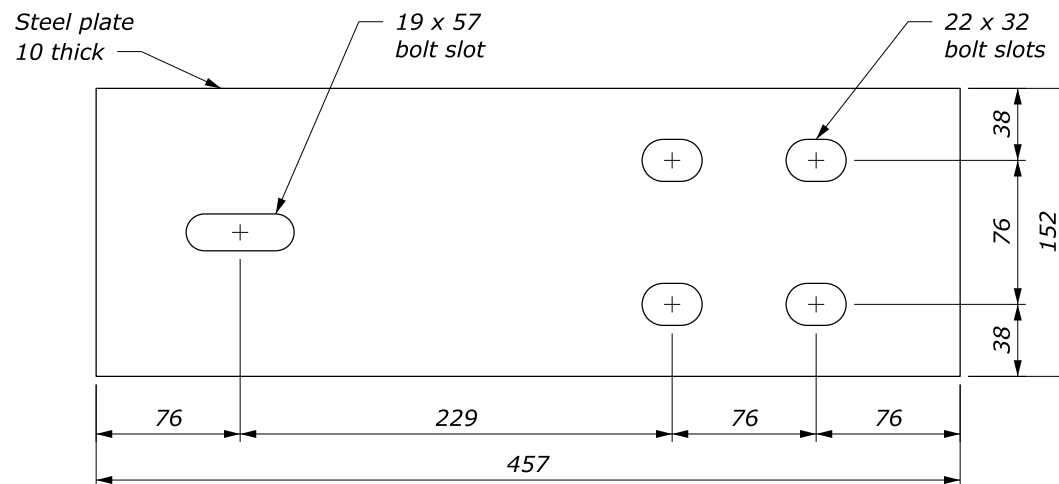
U.S. DEPARTMENT OF TRANSPORTATION, FHWA OFFICE OF FEDERAL LANDS HIGHWAY	FLH STANDARD M617-69
STEEL-BACKED TIMBER GUARDRAIL TL-2 END TERMINAL	SPECIFICATION FP-24, FP-14
Sheet 1 of 2	APPROVED FOR USE 2/2024

NO SCALE

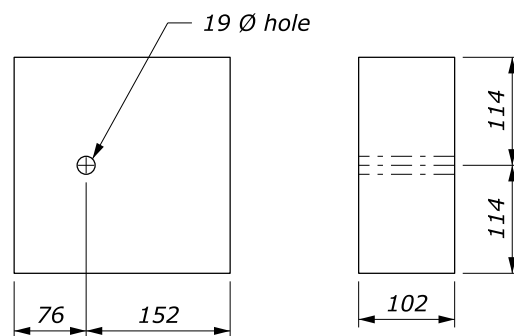
c:\pwwork\0419223\Std617-69.dgn [Std M617-69a] 21 June 2024 1:57 PM



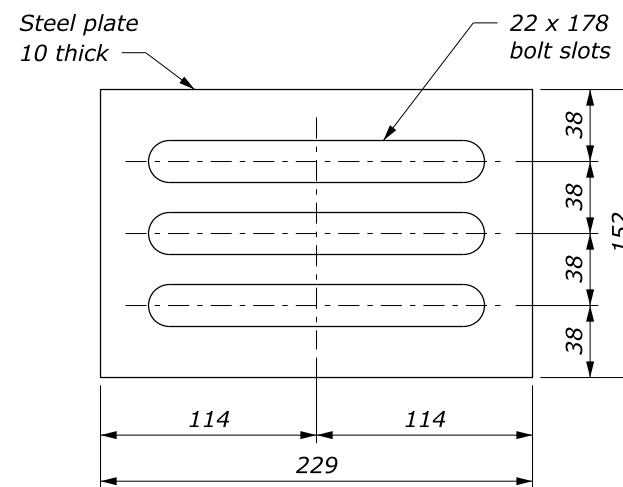
TIMBER POSTS
Posts 1 to 9



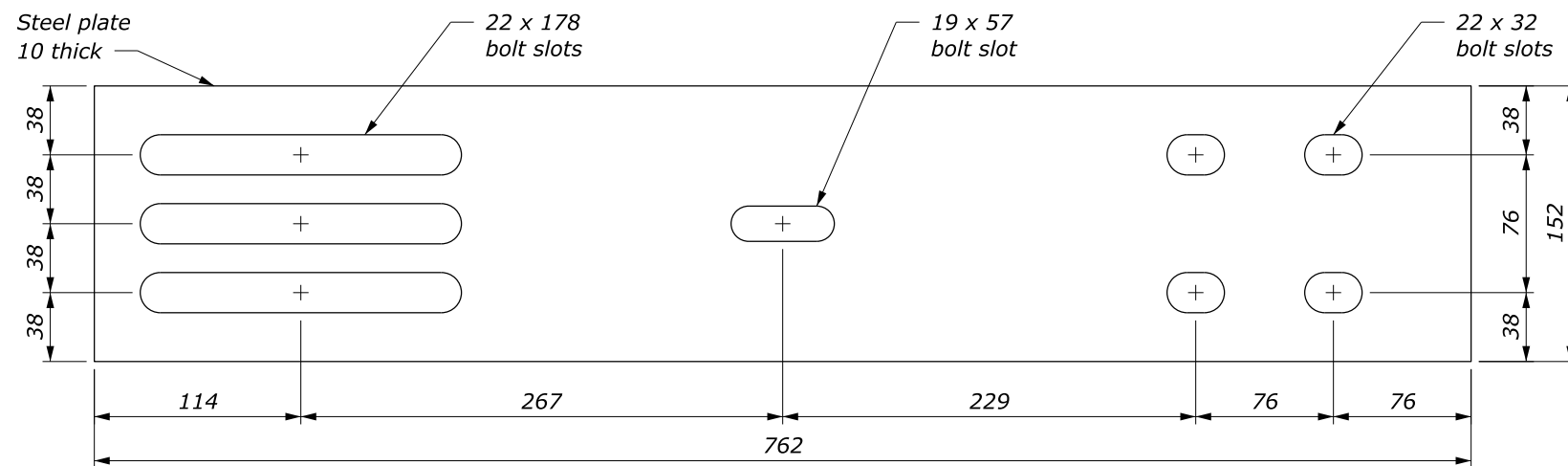
POST 1 SPLICE PLATE



POST 1 TIMBER BLOCKOUT



FILLER PLATE
Post 10



SPLICE PLATE
Posts 2 to 10

This drawing contains **Metric** units of measure.
Dimensions without units are millimeters.

U.S. DEPARTMENT OF TRANSPORTATION, FHWA OFFICE OF FEDERAL LANDS HIGHWAY	FLH STANDARD M617-69
STEEL-BACKED TIMBER GUARDRAIL TL-2 END TERMINAL	SPECIFICATION FP-24, FP-14
Sheet 2 of 2	APPROVED FOR USE 2/2024