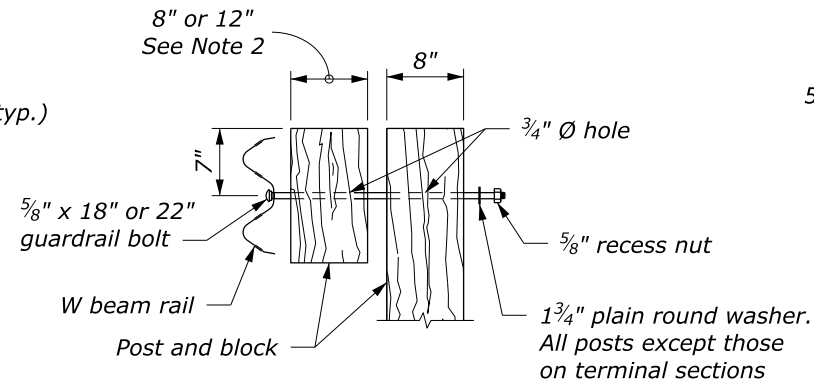
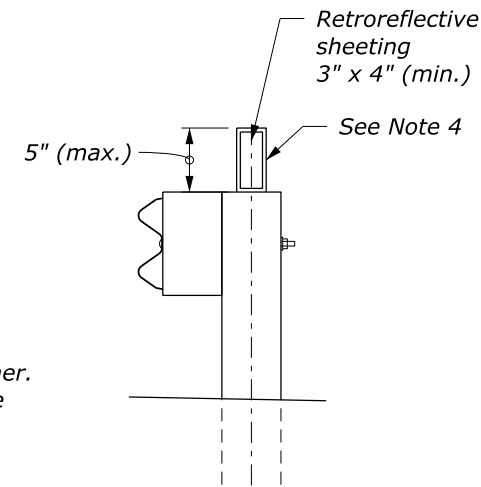


POST AND BLOCK



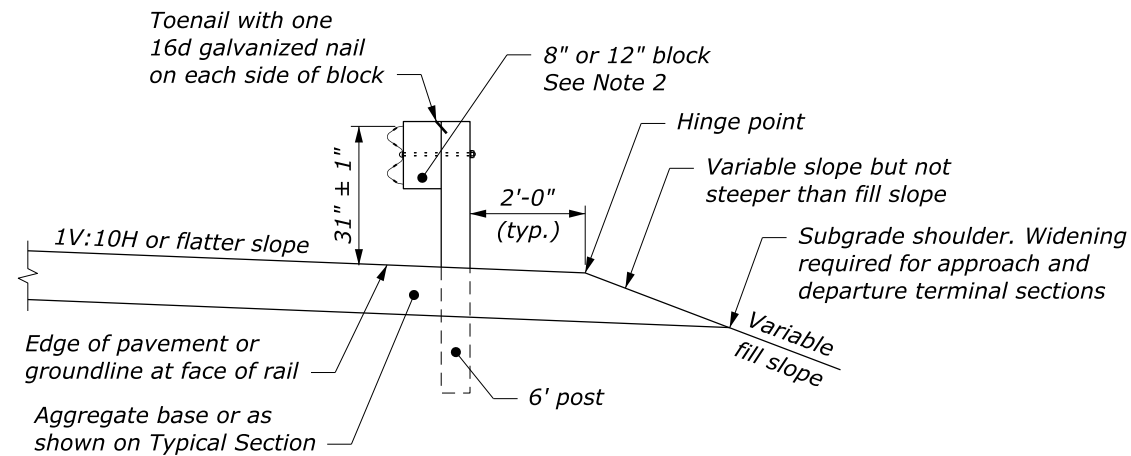
POST BOLT ASSEMBLY



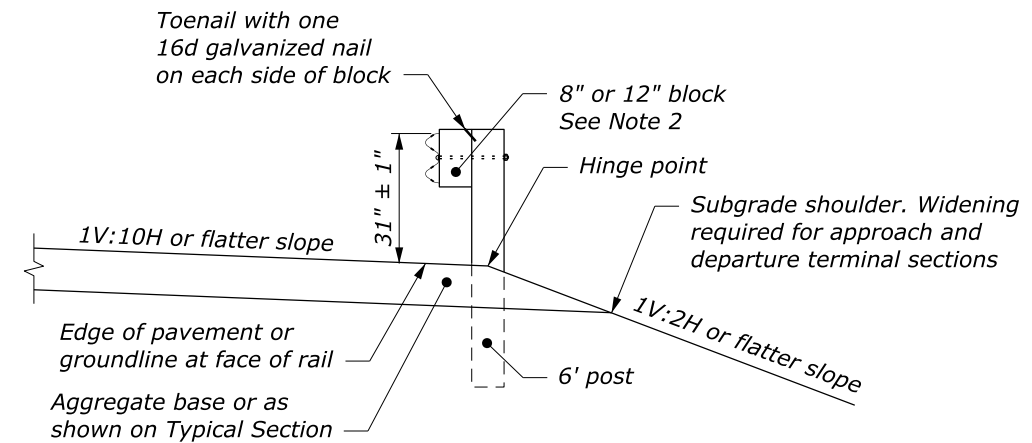
FLEXIBLE DELINEATOR GUARDRAIL MOUNT

NOTE:

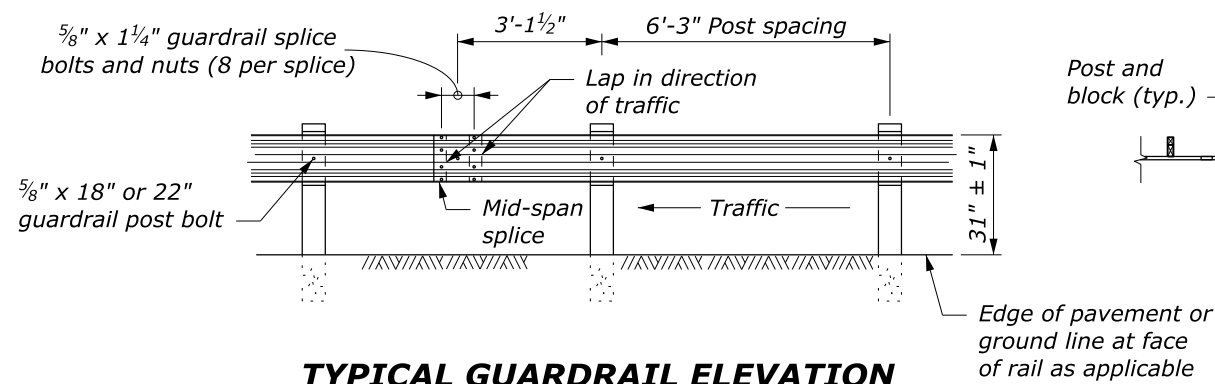
1. When encountering impenetrable material, one post may be omitted in locations where the typical guardrail cross section includes 2-feet (min.) between the back of the guardrail post and the hinge point. For all other locations, see Section 617 and Standard 617-13 or 617-37.
2. Size of block shown elsewhere in the plans. Use a single block or combination of blocks (no more than two) to achieve the actual 8-inch or 12-inch offset. Secure wood blocks to the posts with anti-rotation nails. If combination blocks are used, toenail the adjacent blocks with two 16d galvanized nails to prevent block rotation.
3. Dimensional tolerances not shown or implied are intended to be those consistent with the proper functioning of the part, including its appearance, and accepted manufacturing practices.
4. Install a flexible hinged delineator every fourth post. Fasten delineator to the top of the wood post using either an adhesive or mechanical means according to the manufacturer's recommendations.



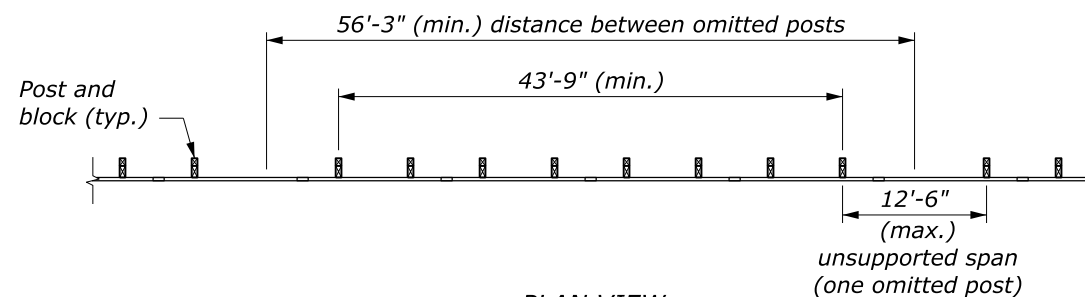
TYPICAL GUARDRAIL CROSS SECTION 6' POST, 8" OR 12" BLOCK



TYPICAL GUARDRAIL CROSS SECTION 6' POST CENTERED ON HINGE, 8" OR 12" BLOCK



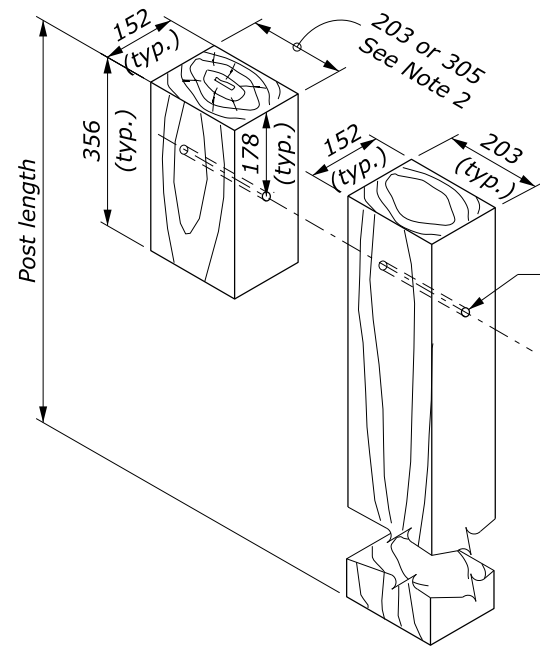
TYPICAL GUARDRAIL ELEVATION



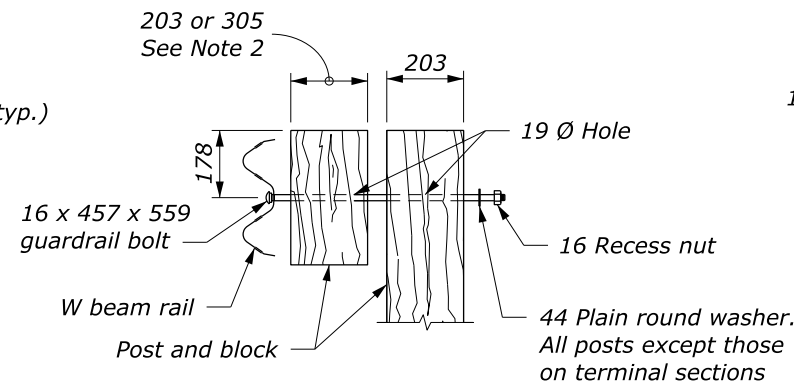
PLAN VIEW OMITTED POST DETAIL
See Note 1

NO SCALE

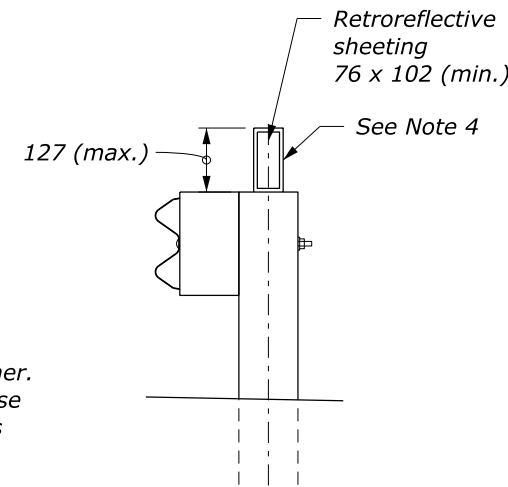
U.S. DEPARTMENT OF TRANSPORTATION, FHWA OFFICE OF FEDERAL LANDS HIGHWAY	FLH STANDARD 617-31
MGS W-BEAM GUARDRAIL WOOD POSTS	SPECIFICATION FP-14
	APPROVED FOR USE 1/2024



POST AND BLOCK



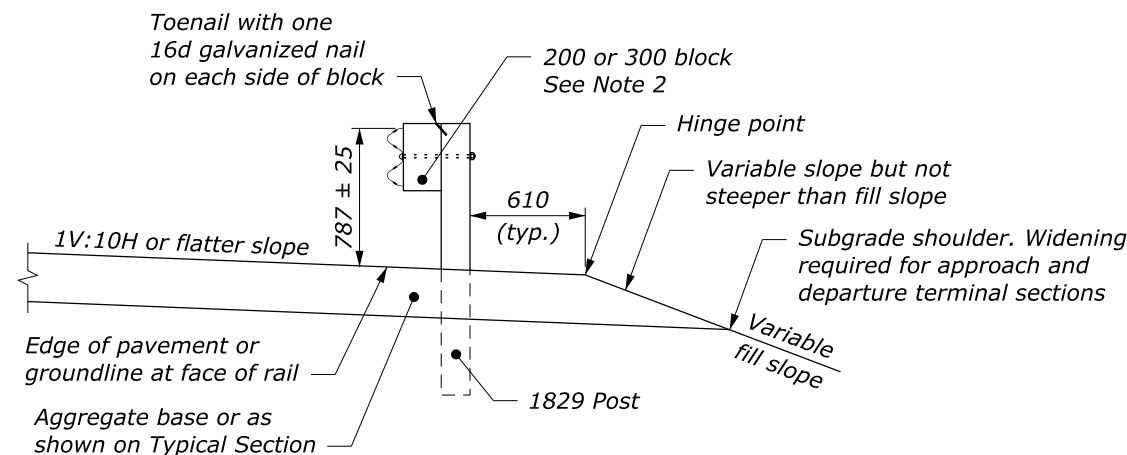
POST BOLT ASSEMBLY



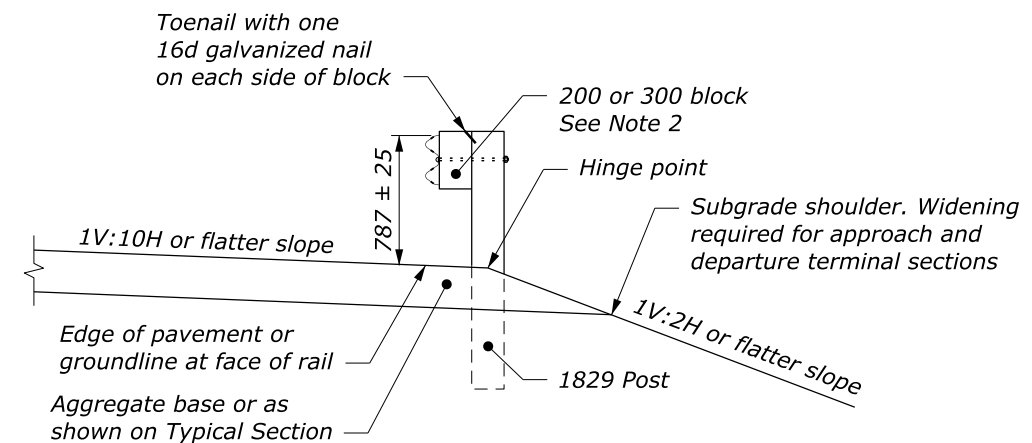
FLEXIBLE DELINEATOR GUARDRAIL MOUNT

NOTE:

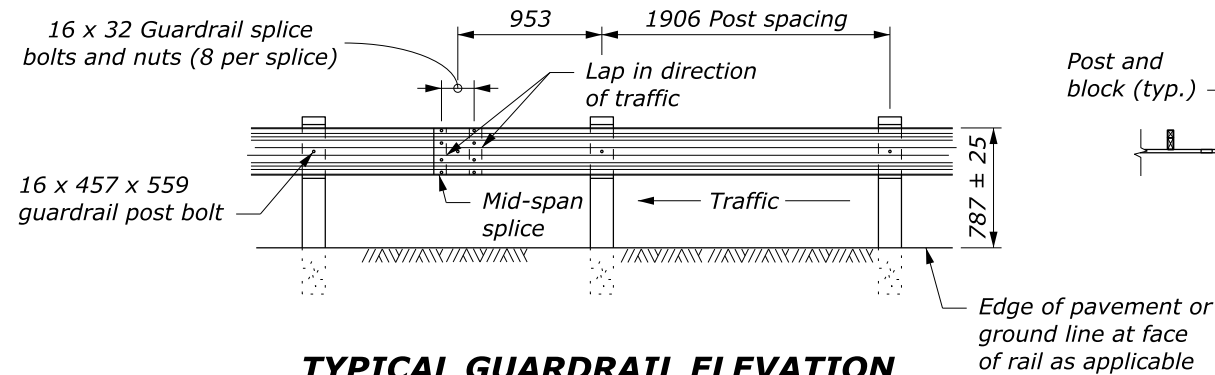
1. When encountering impenetrable material, one post may be omitted in locations where the typical guardrail cross section includes 610 mm (min.) between the back of the guardrail post and the hinge point. For all other locations, see Section 617 and Standard M617-13 or M617-37.
2. Size of block shown elsewhere in the plans. Use a single block or combination of blocks (no more than two) to achieve the actual 200 or 300 mm offset secure wood blocks to the posts with anti-rotation nails. If combination blocks are used, toenail the adjacent blocks with two 16d galvanized nails to prevent block rotation.
3. Dimensional tolerances not shown or implied are intended to be those consistent with the proper functioning of the part, including its appearance, and accepted manufacturing practices.
4. Install a flexible hinged delineator every fourth post. Fasten delineator to the top of the wood post using either an adhesive or mechanical means according to the manufacturer's recommendations.



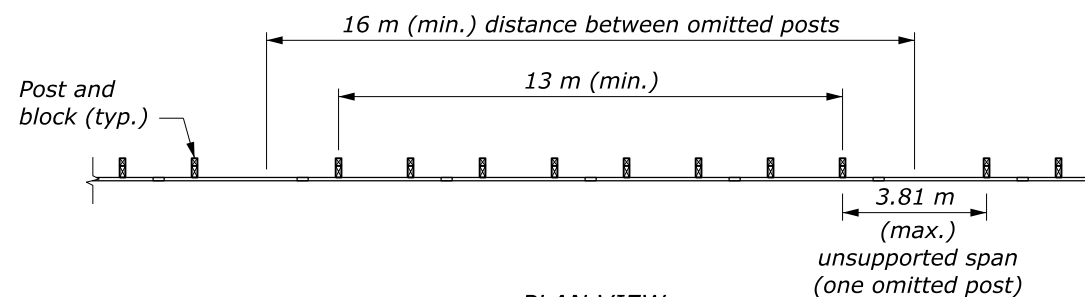
TYPICAL GUARDRAIL CROSS SECTION 1830 POST, 200 OR 300 BLOCK



TYPICAL GUARDRAIL CROSS SECTION 1830 POST CENTERED ON HINGE, 200 OR 300 BLOCK



TYPICAL GUARDRAIL ELEVATION



PLAN VIEW OMITTED POST DETAIL
See Note 1

This drawing contains **Metric** units of measure. Dimensions without units are millimeters.

NO SCALE

U.S. DEPARTMENT OF TRANSPORTATION, FHWA OFFICE OF FEDERAL LANDS HIGHWAY	FLH STANDARD M617-31
MGS W-BEAM GUARDRAIL WOOD POSTS	SPECIFICATION FP-14
	APPROVED FOR USE 1/2024