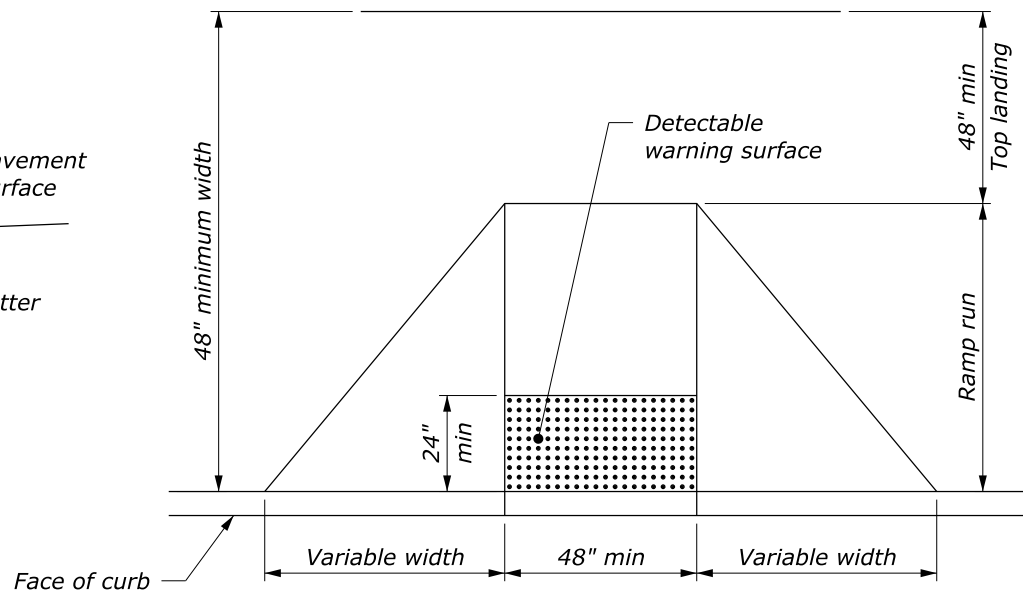


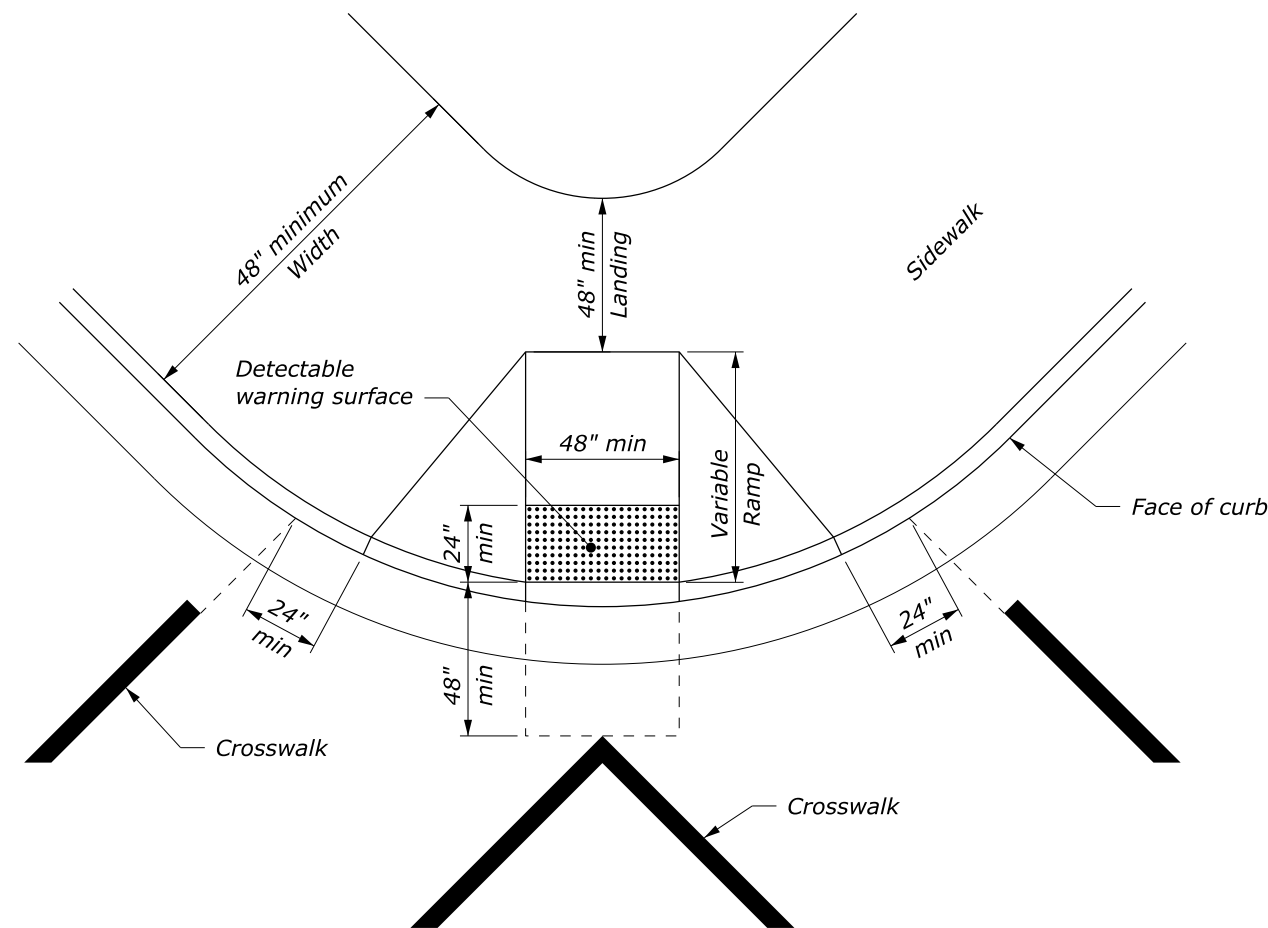
**RAMP - TYPICAL SECTION**



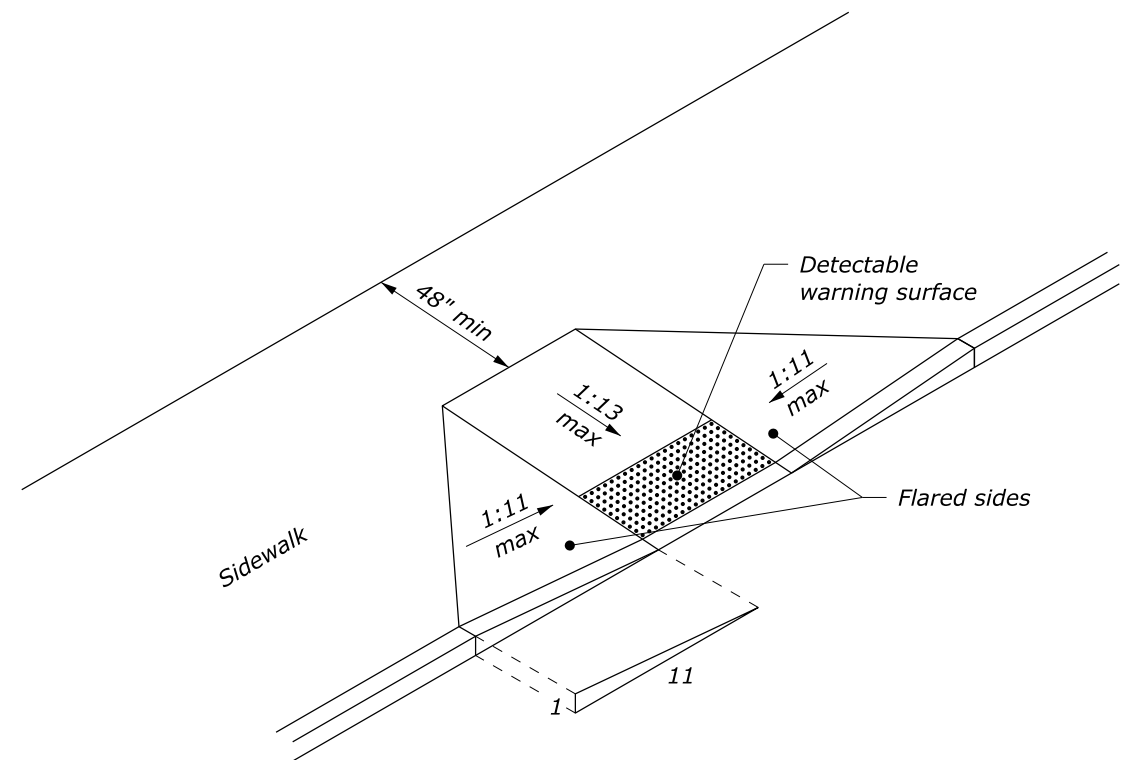
**PERPENDICULAR CURB RAMP**

**NOTE:**

1. The cross slopes of ramps must not exceed 1.5% in any direction.
2. Use a coarse broom finish running perpendicular to the running slope to create a slip resistant surface on concrete ramp surfaces, exclusive of the detectable warning surface.
3. Construct curb ramp perpendicular to the curb. Avoid skewing the ramp face.
4. Construct ramp transitions between walks, gutters, or streets that are flush and free of abrupt vertical changes not to exceed 0.25 inch.
5. Provide detectable warning surfaces that meet the Access Board's Public Right-of-Way Accessibility Guidelines.
6. Locate drainage inlets and manholes outside of ramp walking surfaces and landings.



**DIAGONAL CURB RAMP**



**RAMP - ISOMETRIC**

NO SCALE

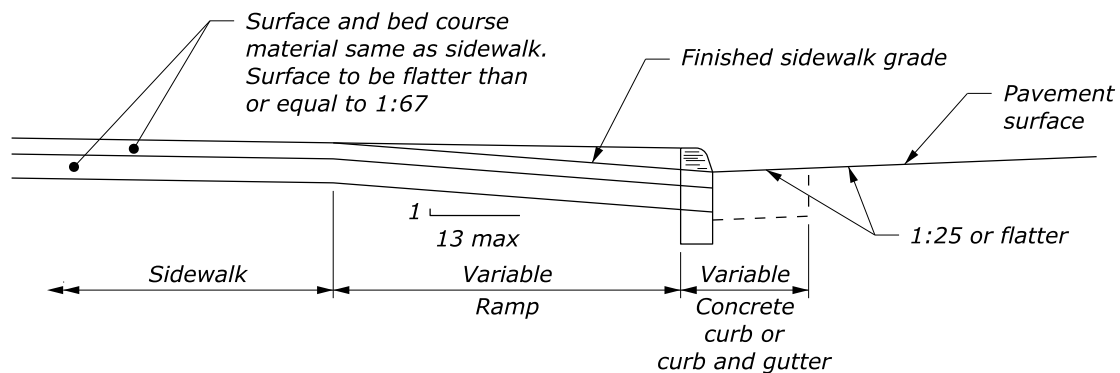
U.S. DEPARTMENT OF TRANSPORTATION, FHWA  
OFFICE OF FEDERAL LANDS HIGHWAY

**PERPENDICULAR  
CURB RAMP**

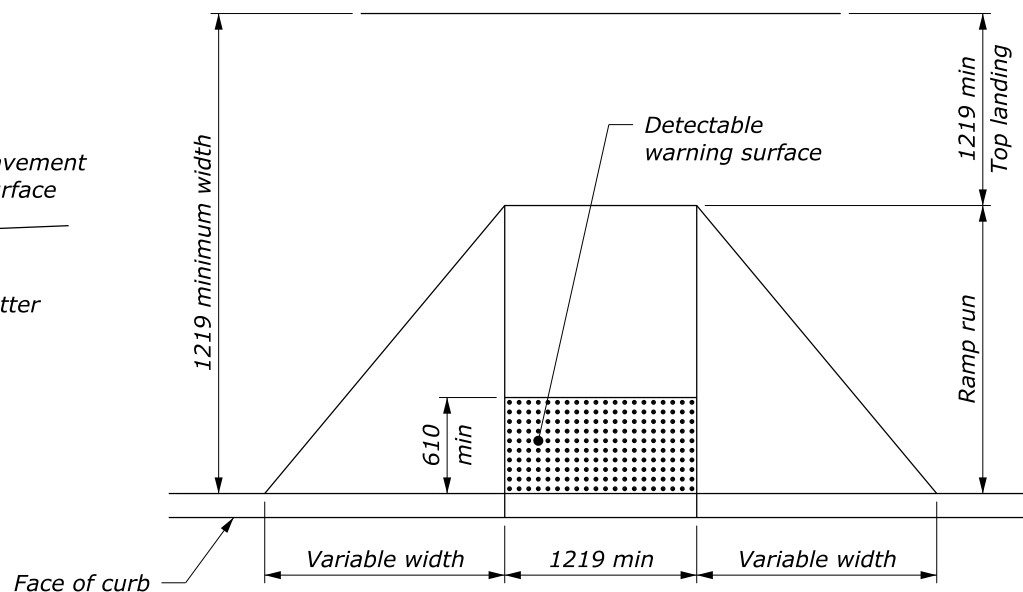
FLH STANDARD  
615-1

SPECIFICATION  
FP-14

APPROVED FOR USE  
8/2024



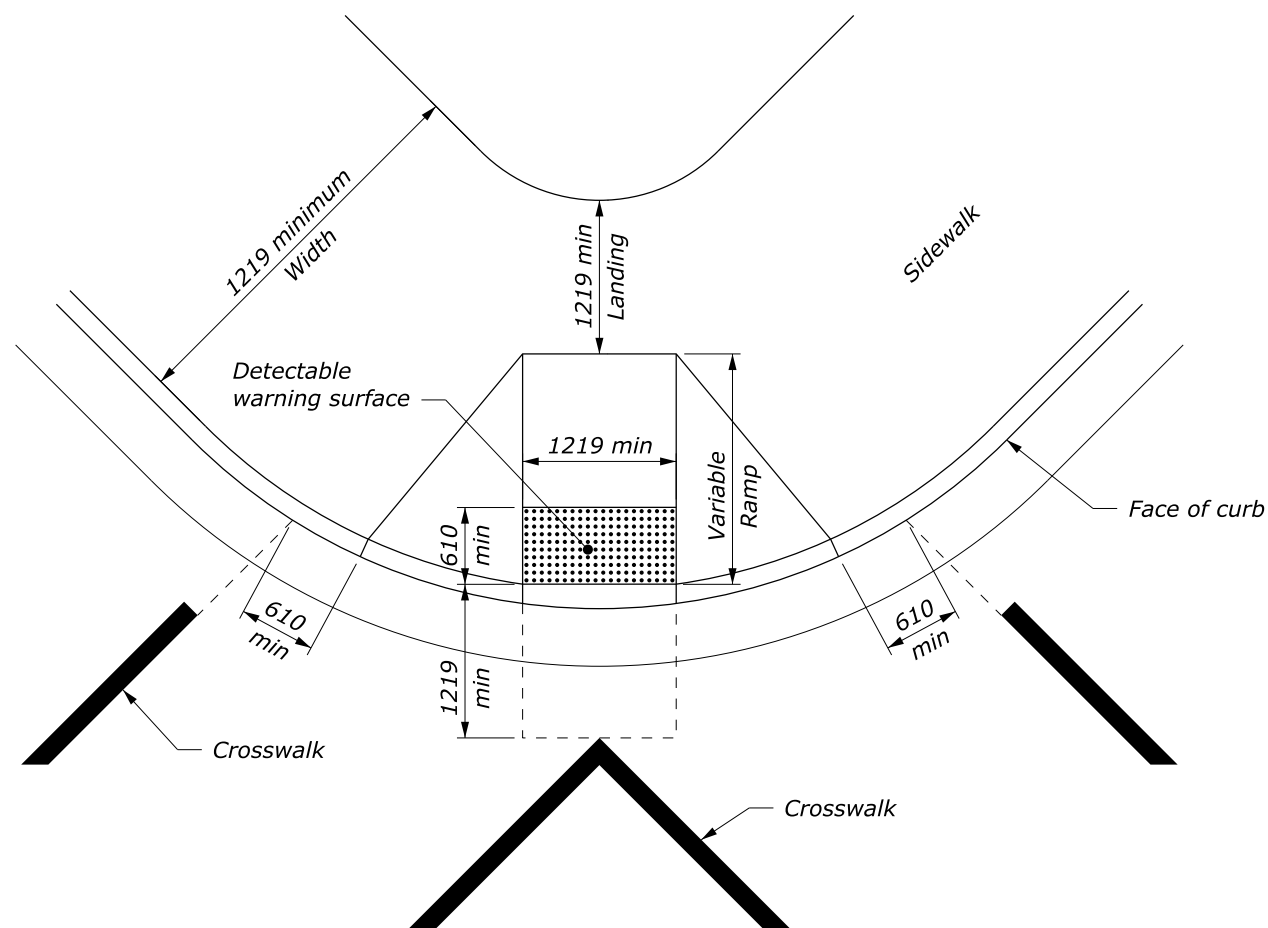
**RAMP - TYPICAL SECTION**



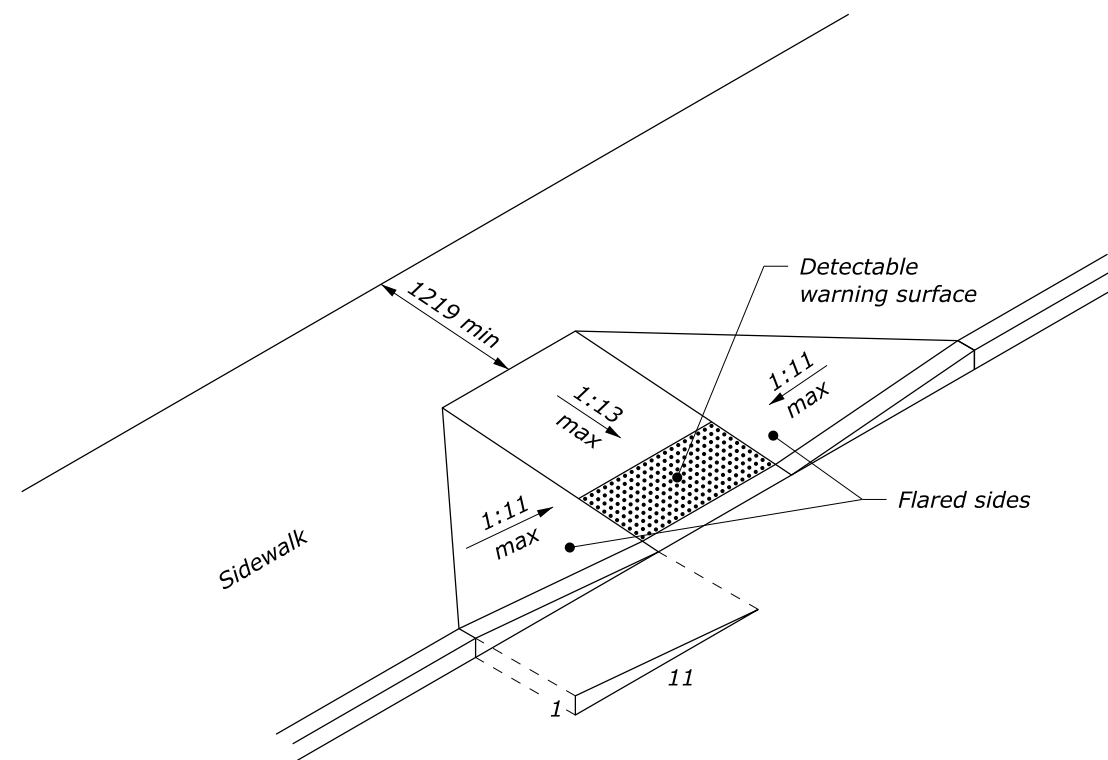
**PERPENDICULAR CURB RAMP**

**NOTE:**

1. The cross slopes of ramps must not exceed 1.5% in any direction.
2. Use a coarse broom finish running perpendicular to the running slope to create a slip resistant surface on concrete ramp surfaces, exclusive of the detectable warning surface.
3. Construct curb ramp perpendicular to the curb. Avoid skewing the ramp face.
4. Construct ramp transitions between walks, gutters, or streets that are flush and free of abrupt vertical changes not to exceed 6 mm.
5. Provide detectable warning surfaces that meet the Access Board's Public Right-of-Way Accessibility Guidelines.
6. Locate drainage inlets and manholes outside of ramp walking surfaces and landings.



**DIAGONAL CURB RAMP**



**RAMP - ISOMETRIC**

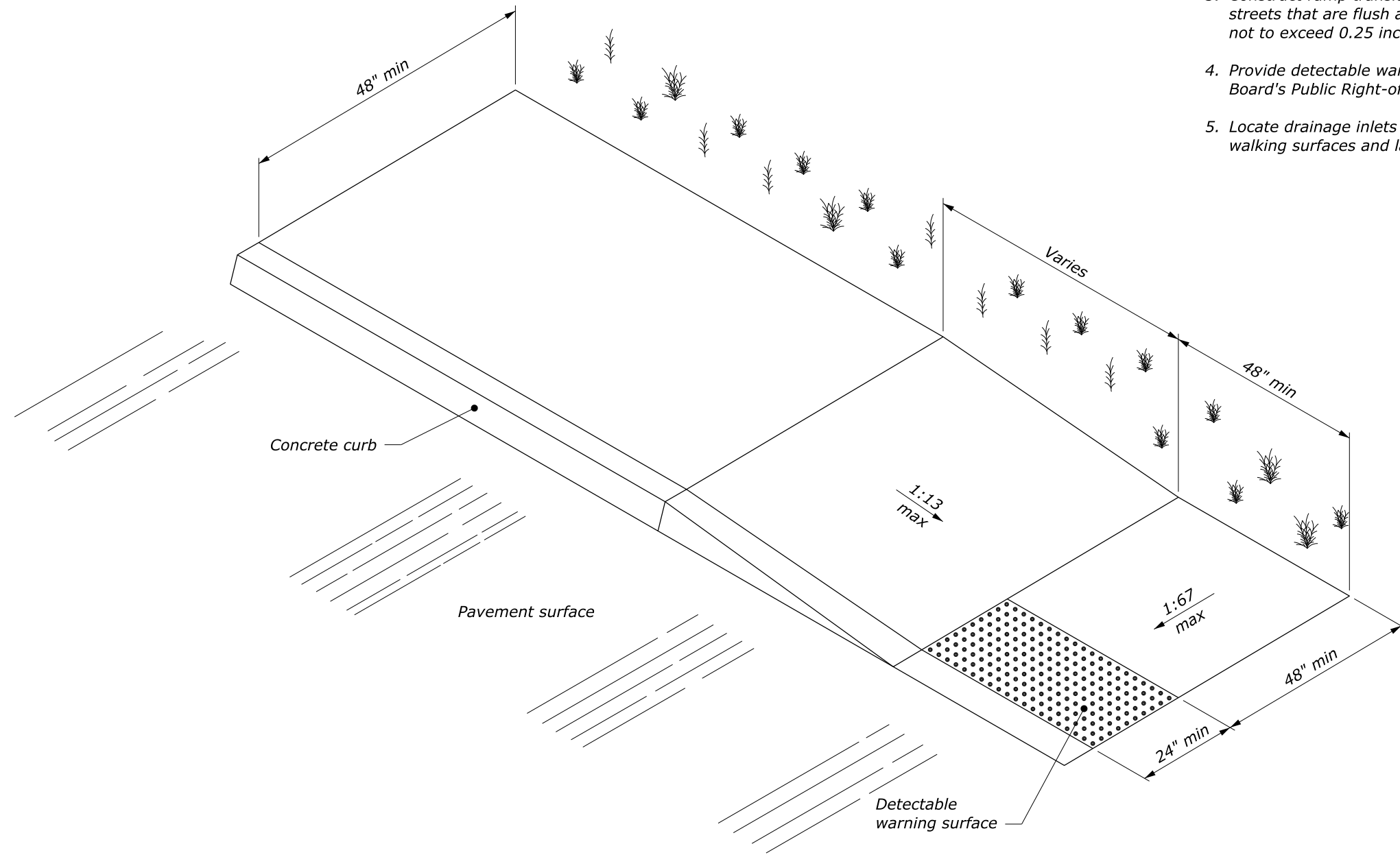
This drawing contains **Metric** units of measure. Dimensions without units are millimeters.

U.S. DEPARTMENT OF TRANSPORTATION, FHWA OFFICE OF FEDERAL LANDS HIGHWAY	FLH STANDARD M615-1
<b>PERPENDICULAR CURB RAMP</b>	SPECIFICATION FP-14
	APPROVED FOR USE 8/2024

NO SCALE

**NOTE:**

1. The cross slopes of ramps must not exceed 1.5% in any direction.
2. Use a coarse broom finish running perpendicular to the running slope to create a slip resistant surface on concrete ramp surfaces, exclusive of the detectable warning surface.
3. Construct ramp transitions between walks, gutters, or streets that are flush and free of abrupt vertical changes not to exceed 0.25 inch.
4. Provide detectable warning surfaces that meet the Access Board's Public Right-of-Way Accessibility Guidelines.
5. Locate drainage inlets and manholes outside of ramp walking surfaces and landings.



**PARALLEL CURB RAMP**

NO SCALE

U.S. DEPARTMENT OF TRANSPORTATION, FHWA  
OFFICE OF FEDERAL LANDS HIGHWAY

FLH STANDARD  
615-2

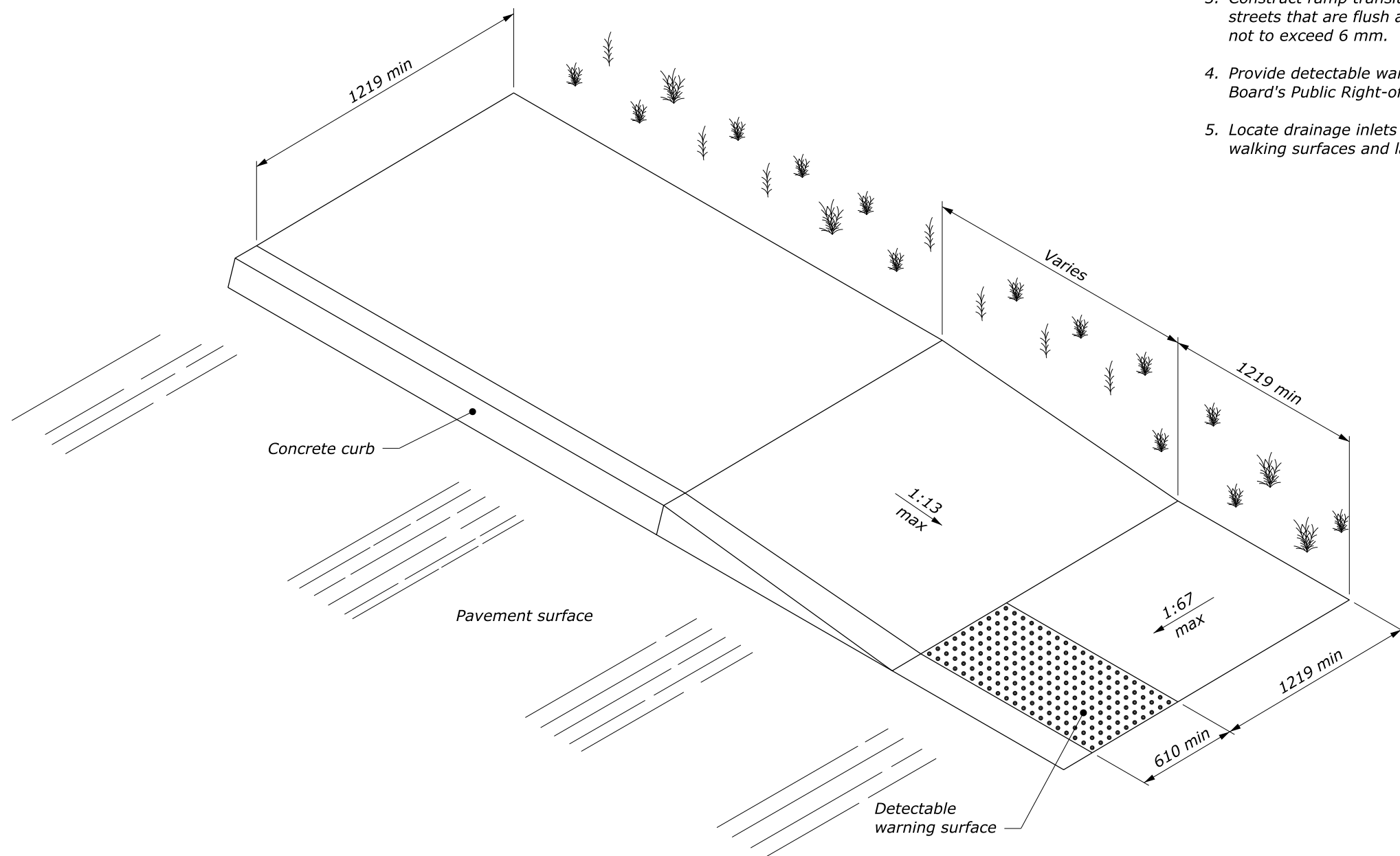
**PARALLEL CURB RAMP**

SPECIFICATION  
FP-14

APPROVED FOR USE  
8/2024

**NOTE:**

1. The cross slopes of ramps must not exceed 1.5% in any direction.
2. Use a coarse broom finish running perpendicular to the running slope to create a slip resistant surface on concrete ramp surfaces, exclusive of the detectable warning surface.
3. Construct ramp transitions between walks, gutters, or streets that are flush and free of abrupt vertical changes not to exceed 6 mm.
4. Provide detectable warning surfaces that meet the Access Board's Public Right-of-Way Accessibility Guidelines.
5. Locate drainage inlets and manholes outside of ramp walking surfaces and landings.



**PARALLEL CURB RAMP**

This drawing contains **Metric** units of measure.  
Dimensions without units are millimeters.

U.S. DEPARTMENT OF TRANSPORTATION, FHWA OFFICE OF FEDERAL LANDS HIGHWAY	FLH STANDARD M615-2
<b>PARALLEL CURB RAMP</b>	SPECIFICATION FP-14
	APPROVED FOR USE 8/2024

NO SCALE