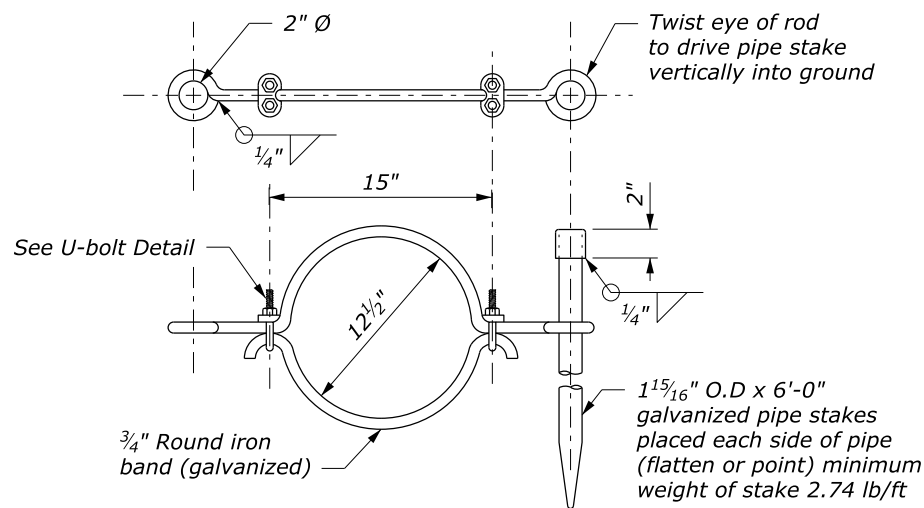
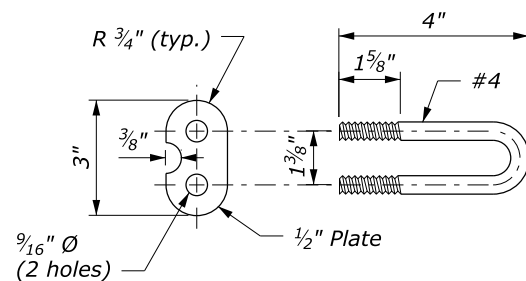


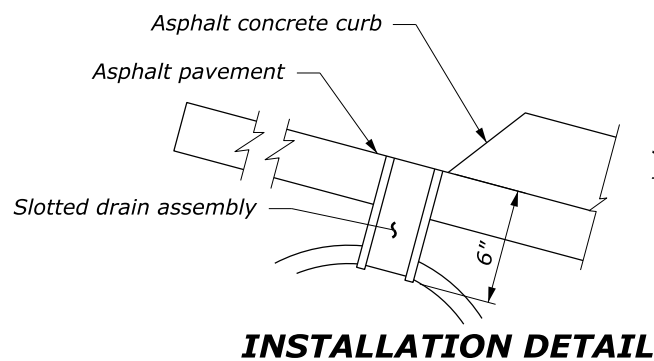
ALTERNATE 1



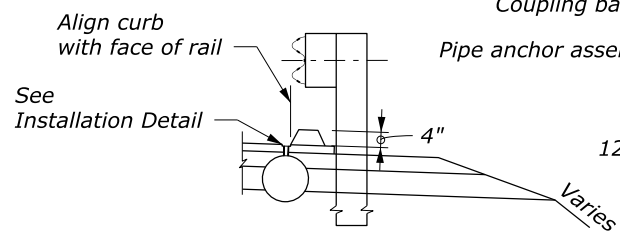
ALTERNATE 2



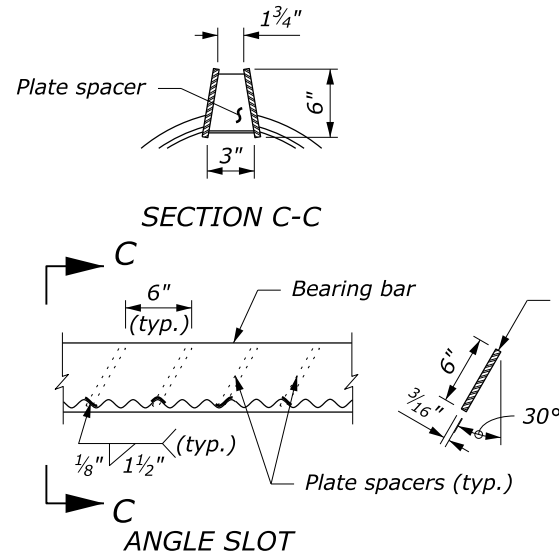
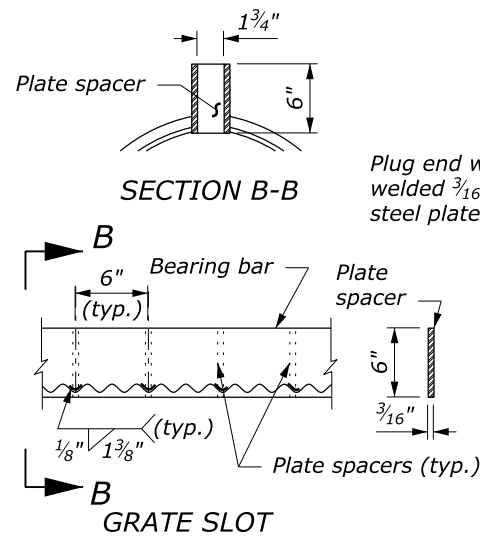
U-BOLT DETAIL



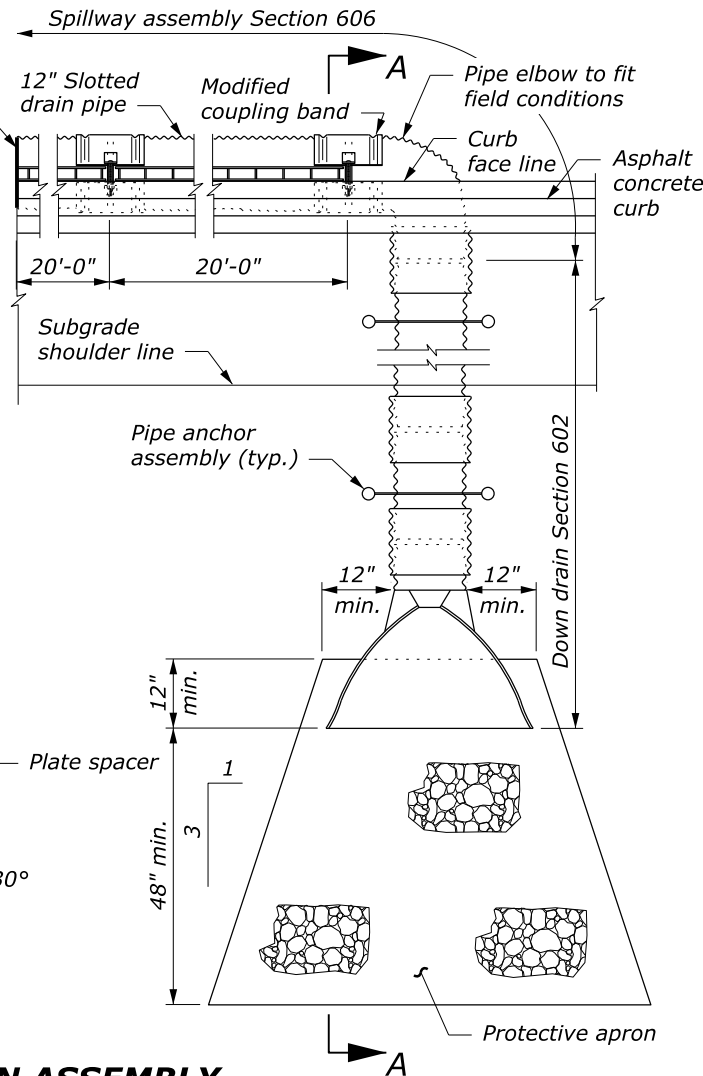
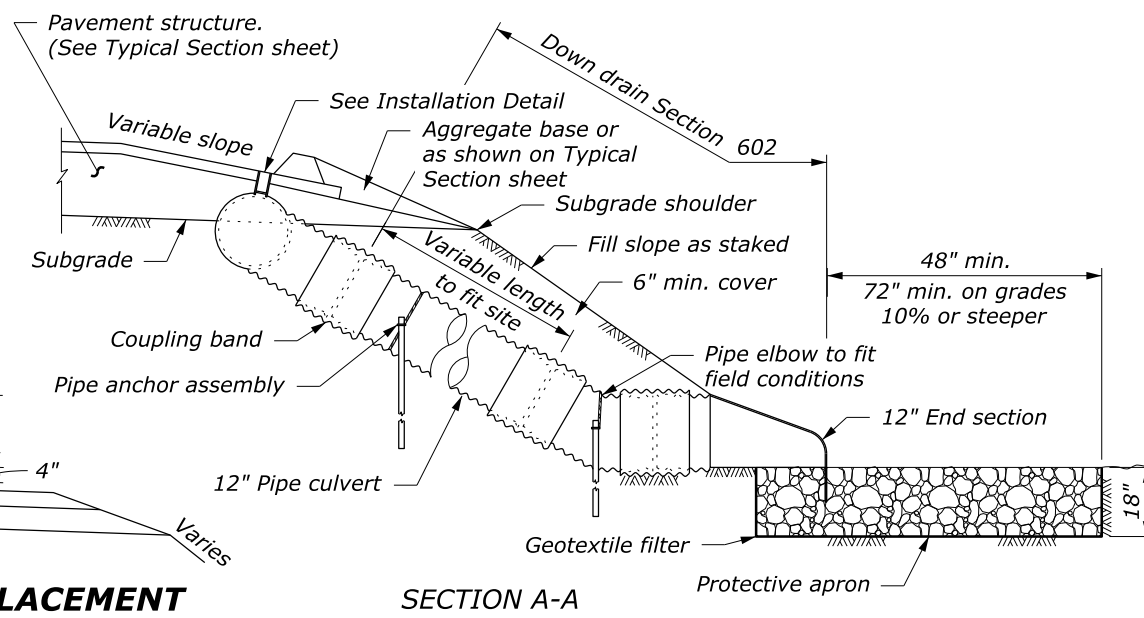
INSTALLATION DETAIL



TYPICAL PLACEMENT AT GUARDRAIL

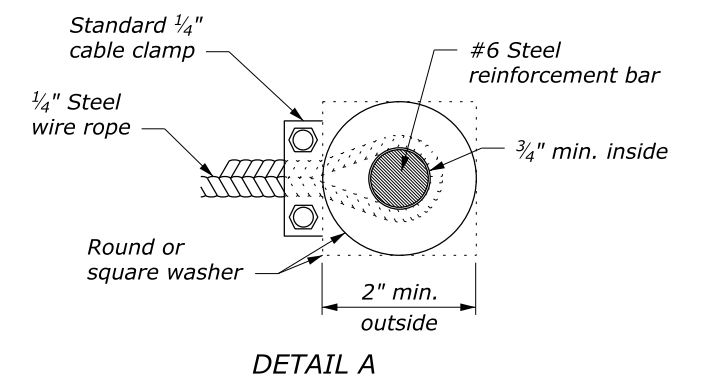


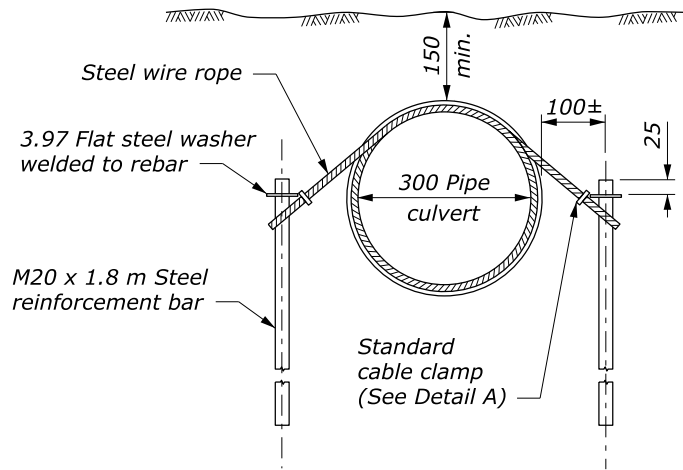
SLOTTED DRAIN ASSEMBLY



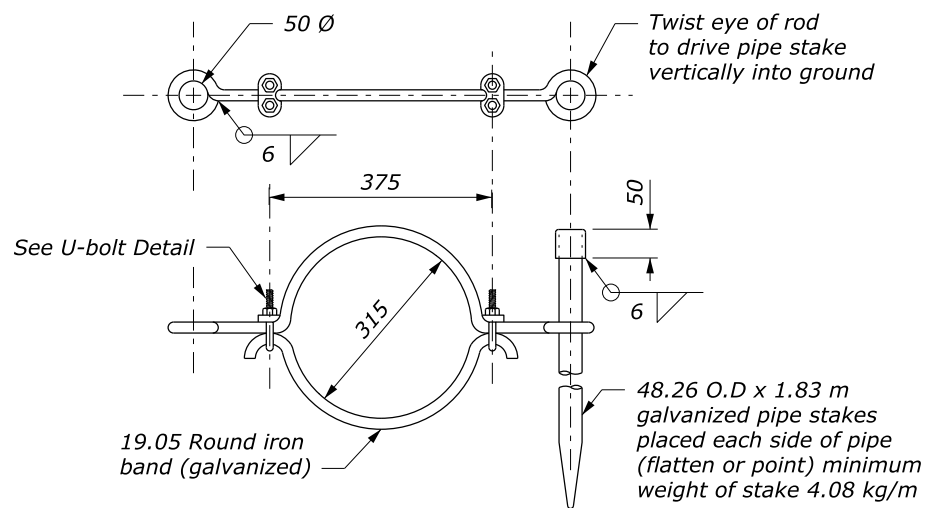
NOTE:

1. Fabricate slotted drain pipe, down drain pipe culvert, elbows, end section, and coupling bands from sheets 1/16" thickness.
2. Grate slot assembly and plate end plug conform to AASHTO M 183.
3. Galvanize grate slot assembly, plate end plug, and all hardware according to AASHTO M 111.
4. Approved alternate pipe anchor assemblies may be used.
5. Place Class 2 riprap conforming to Section 251 for protective apron.
6. Provide geotextile filter conforming to Subsection 714.01(a).
7. Place pipe anchor assemblies approximately 20-foot intervals along down drain pipe culvert. Place a minimum of 2 anchors per down drain.
8. For installations at sag vertical curves, use a tee connection instead of an elbow and a minimum of two 20-foot slotted drain pipe sections.
9. Place gaskets under all band connections according to Section 602. Refer to Standard 602-2 for coupling band details.
10. Use either the grate slot or the angle slot slotted drain assembly.

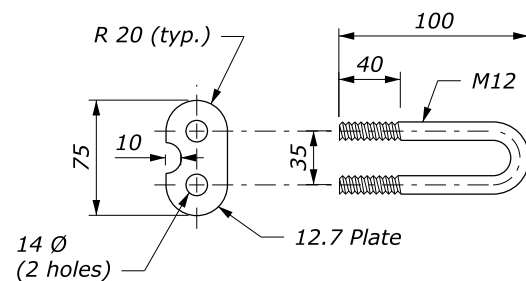




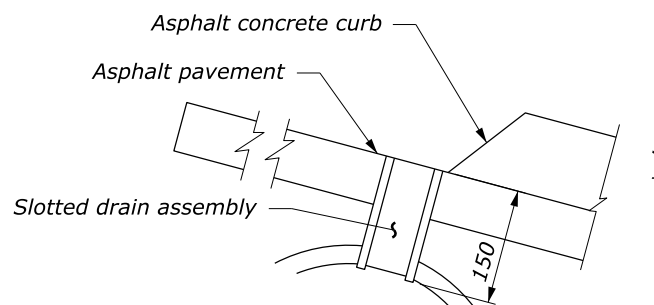
ALTERNATE 1



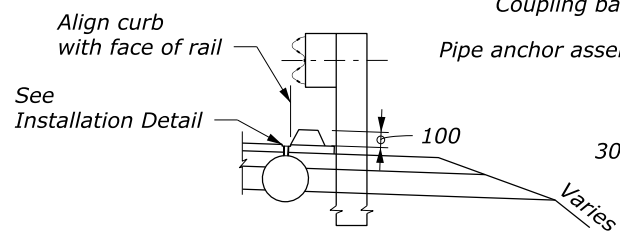
ALTERNATE 2



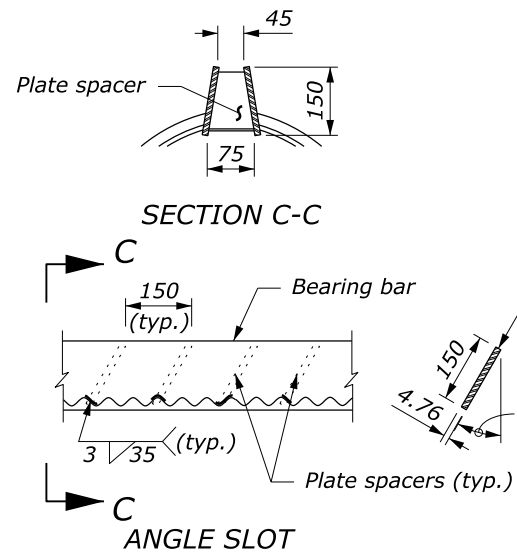
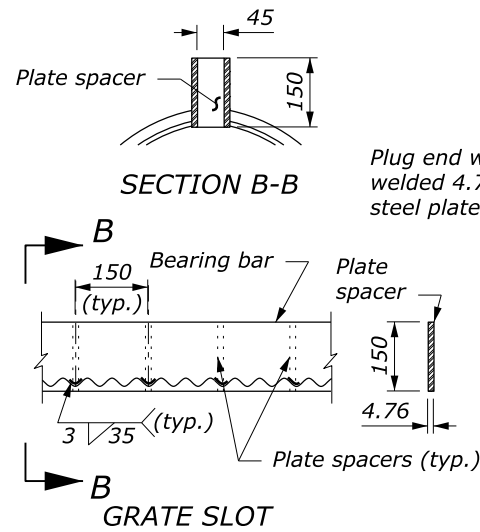
U-BOLT DETAIL



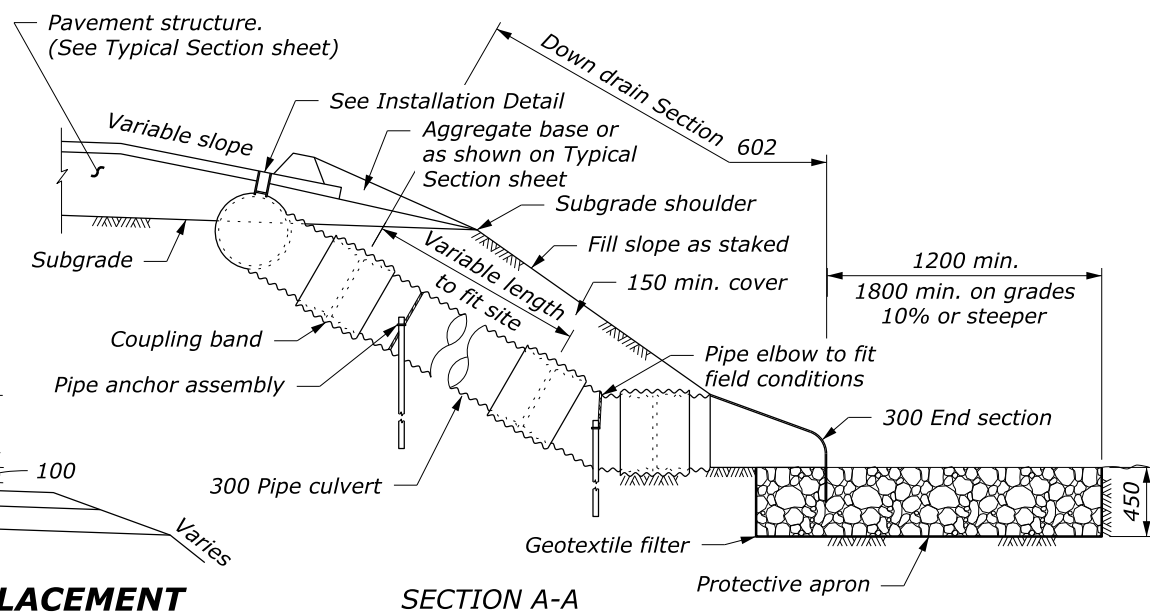
INSTALLATION DETAIL



TYPICAL PLACEMENT AT GUARDRAIL



SLOTTED DRAIN ASSEMBLY

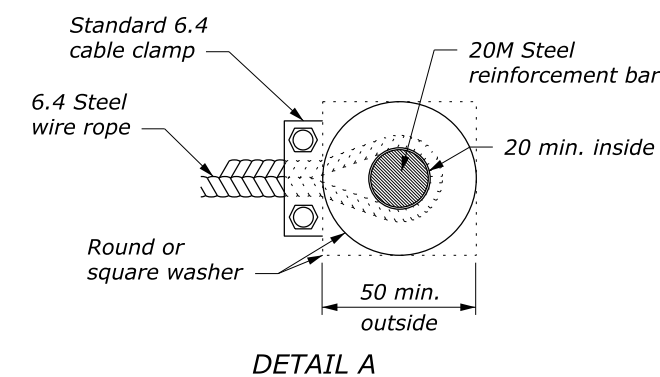


SECTION A-A

NO SCALE

NOTE:

1. Fabricate slotted drain pipe, down drain pipe culvert, elbows, end section, and coupling bands from sheets 1.62 mm thickness.
2. Grate slot assembly and plate end plug conform to AASHTO M 183.
3. Galvanize grate slot assembly, plate end plug, and all hardware according to AASHTO M 111.
4. Approved alternate pipe anchor assemblies may be used.
5. Place Class 2 riprap conforming to Section 251 for protective apron.
6. Provide geotextile filter conforming to Subsection 714.01(a).
7. Place pipe anchor assemblies approximately 6-meter intervals along down drain pipe culvert. Place a minimum of 2 anchors per down drain.
8. For installations at sag vertical curves, use a tee connection instead of an elbow and a minimum of two 6-meter slotted drain pipe sections.
9. Place gaskets under all band connections according to Section 602. Refer to Standard M602-2 for coupling band details.
10. Use either the grate slot or the angle slot slotted drain assembly.
11. Provide hardware in the metric sizes shown. Equivalent US Customary sizes may be used when metric sizes are unavailable.



DETAIL A

This drawing contains **Metric** units of measure. Dimensions without units are millimeters.

U.S. DEPARTMENT OF TRANSPORTATION, FHWA
OFFICE OF FEDERAL LANDS HIGHWAY

FLH STANDARD
M606-1

**SLOTTED DRAIN
SPILLWAY ASSEMBLY**

SPECIFICATION
FP-14

APPROVED FOR USE
1/2024