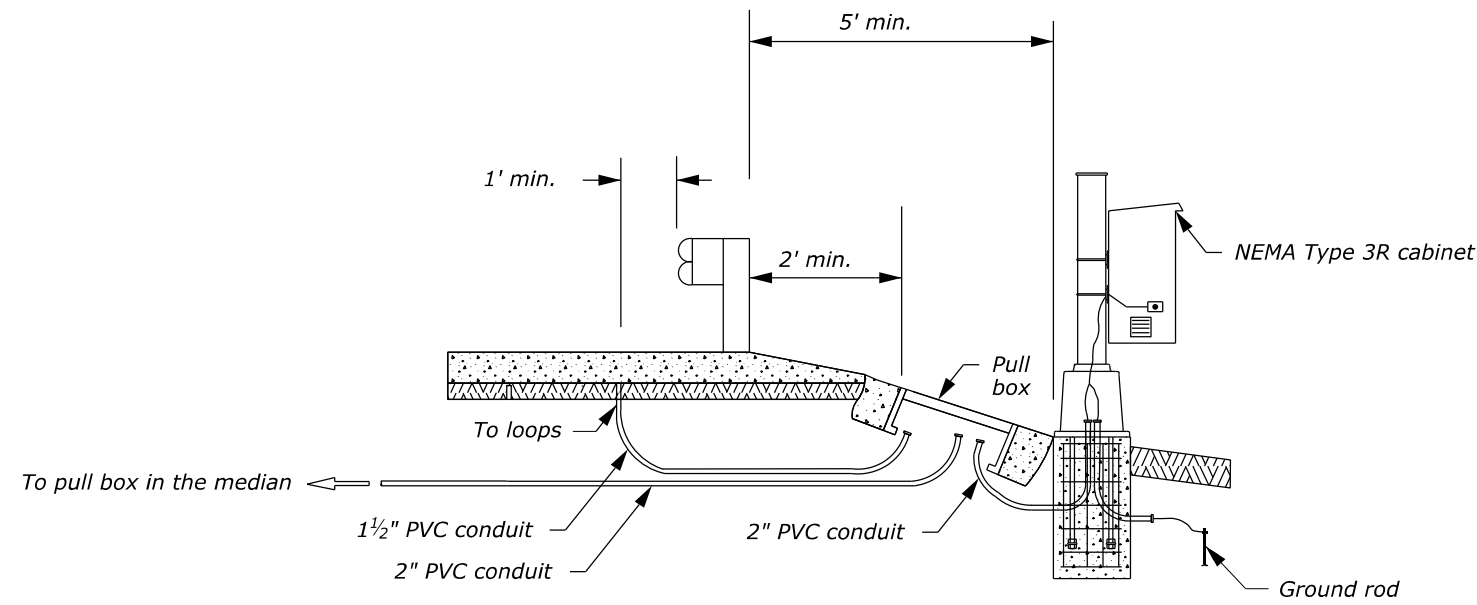
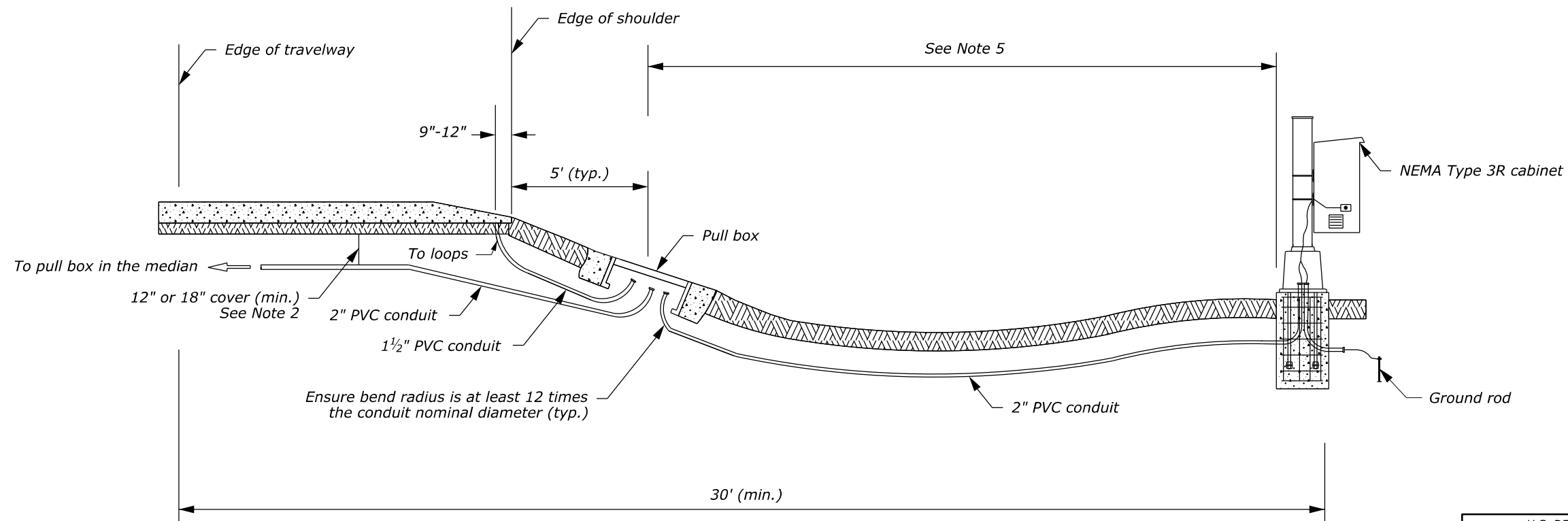


NOTES:

1. Install pull box and cabinet as directed.
2. If cabinet is located more than 30 feet from the edge of travelway, provide a minimum cover of 12 inches. Otherwise, provide a minimum cover of 18 inches.
3. Use minimum 3/4-inch diameter conduit when attached to poles above ground.
4. In the vicinity of underground utilities, provide a minimum 2 feet horizontal and 6 inches vertical clearances.
5. Add additional pull box adjacent to cabinet when distance is greater than 50 feet.



CABINET LOCATION WITH GUARDRAIL OR BARRIER



CABINET LOCATION WITHOUT GUARDRAIL OR BARRIER

NO SCALE

U.S. DEPARTMENT OF TRANSPORTATION, FHWA OFFICE OF FEDERAL LANDS HIGHWAY	EFLHD DETAIL E636-05
PULL BOX AND CABINET LOCATION	SPECIFICATION FP-24, FP-14
	APPROVED FOR USE 06/2024