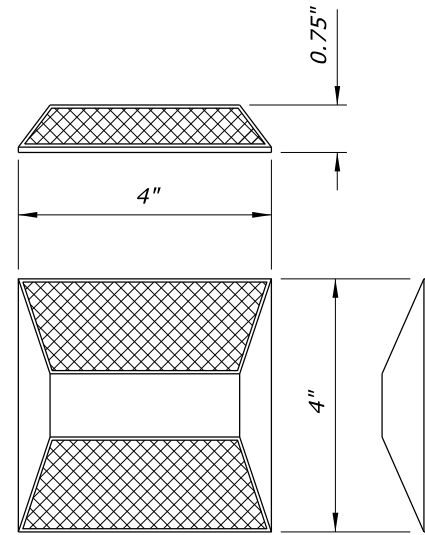
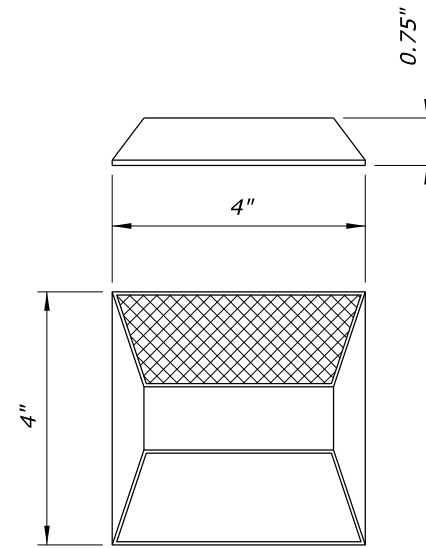


NON-REFLECTIVE

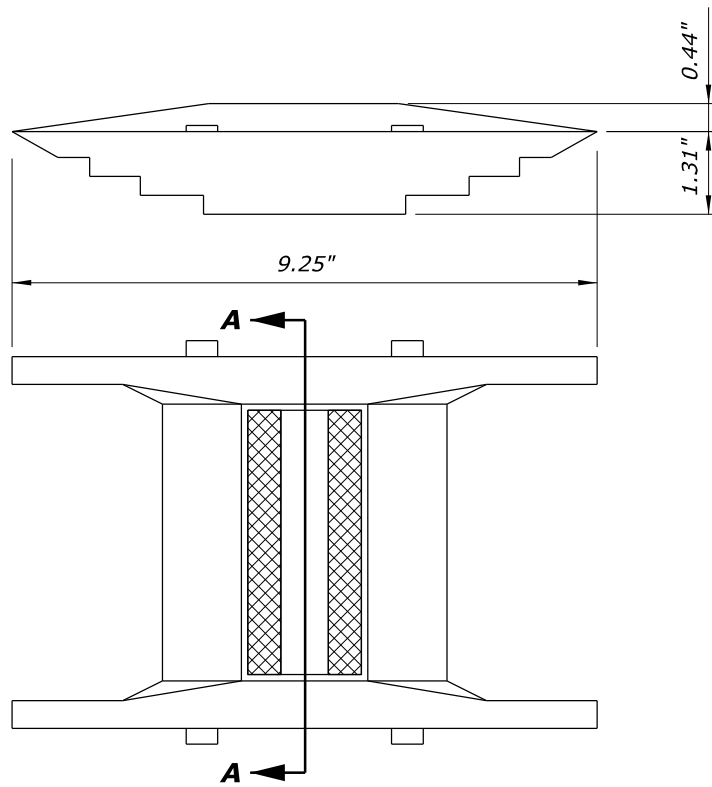


BI-DIRECTIONAL

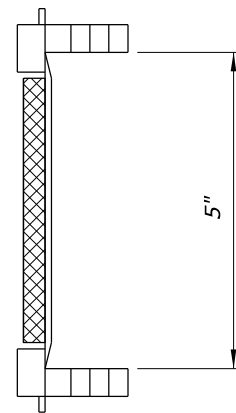


MONO-DIRECTIONAL

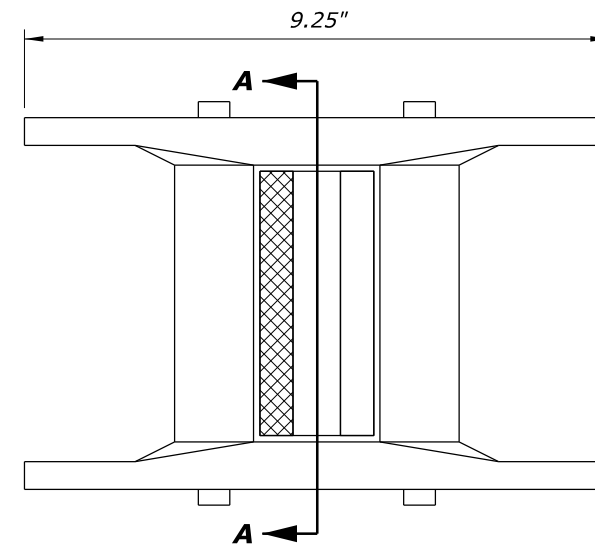
**NON-PLOWABLE PAVEMENT MARKERS**



BI-DIRECTIONAL



SECTION A-A



MONO-DIRECTIONAL

**PLOWABLE PAVEMENT MARKERS**

**NOTES:**

1. Provide reflective markers with either clear (white), yellow or red colors as specified.
2. Ensure the shell of the marker is made of one color or a combination of colors the same as the reflector.

**LEGEND:**

Reflective material



NO SCALE

U.S. DEPARTMENT OF TRANSPORTATION, FHWA  
OFFICE OF FEDERAL LANDS HIGHWAY

EFLHD DETAIL  
E634-02

**RAISED PAVEMENT MARKERS**

SPECIFICATION  
FP-24, FP-14

APPROVED FOR USE  
06/2024