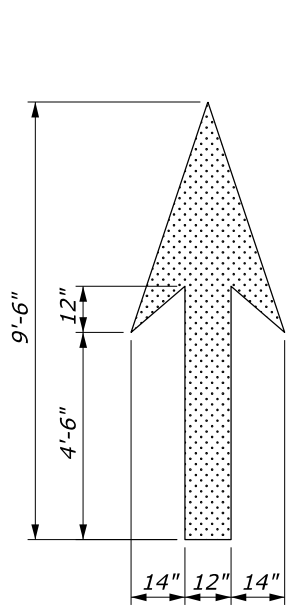
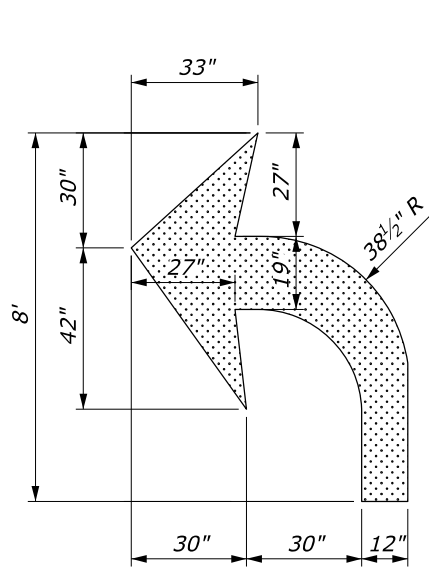


**NOTES:**

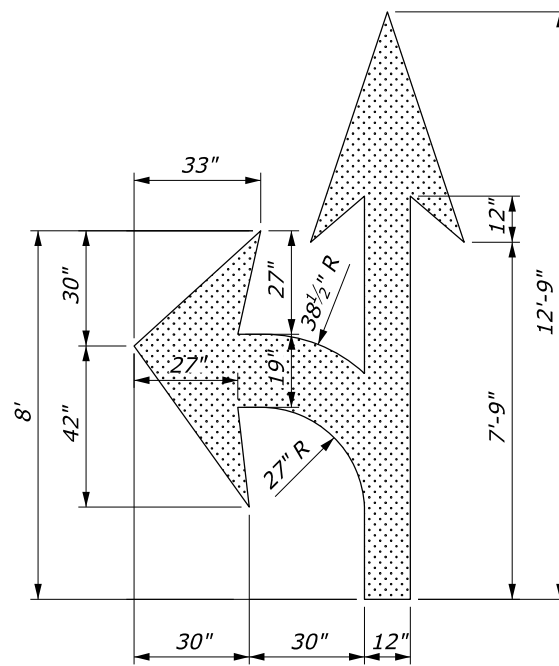
1. Place pavement word and symbol markings in accordance with the "Manual on Uniform Traffic Control Devices" (MUTCD), latest edition.
2. Place all letters, numerals, and symbols in accordance with the "Standard Highway Signs", latest edition.
3. Provide Accessibility Symbol marking as indicated in the plans or directed otherwise by the CO in one of the following configurations:
  - (a) w/ Symbol only; or
  - (b) w/ Symbol, blue background, and white border



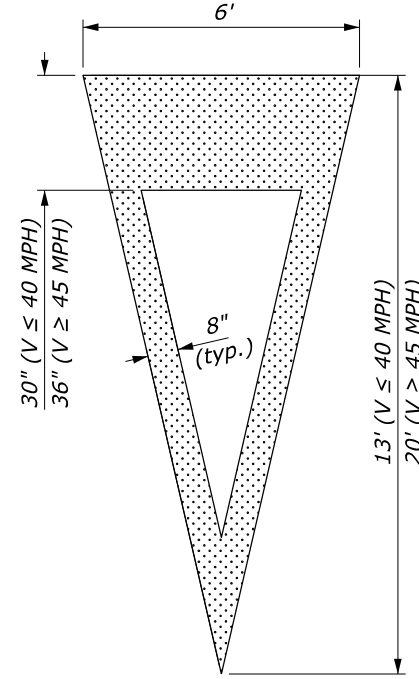
**STRAIGHT ARROW SYMBOL**



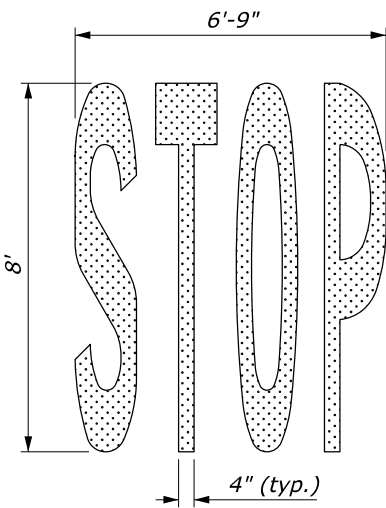
**TURN ARROW SYMBOL**



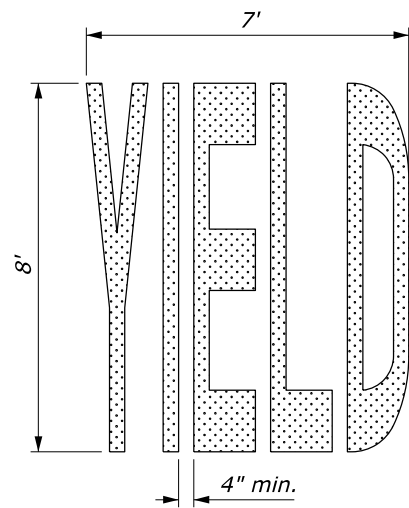
**STRAIGHT/TURN ARROW COMBINATION SYMBOL**



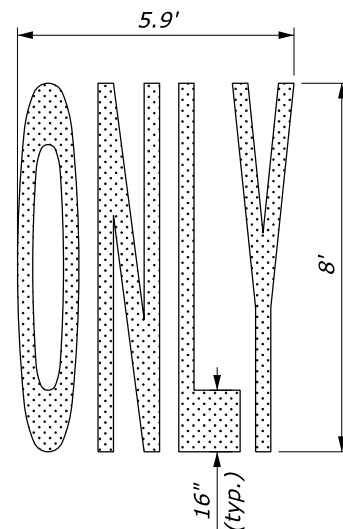
**YIELD AHEAD TRIANGLE SYMBOL**



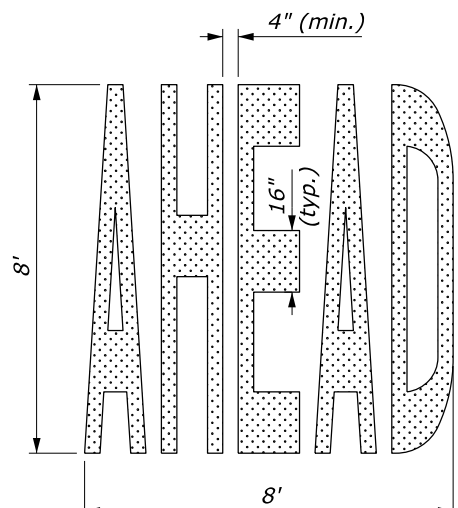
**"STOP" WORD MESSAGE**



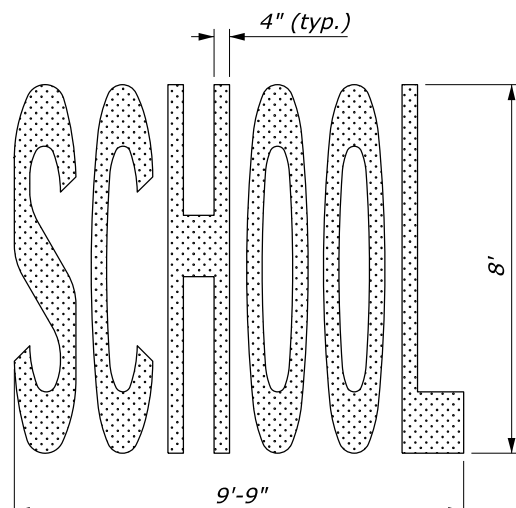
**"YIELD" WORD MESSAGE**



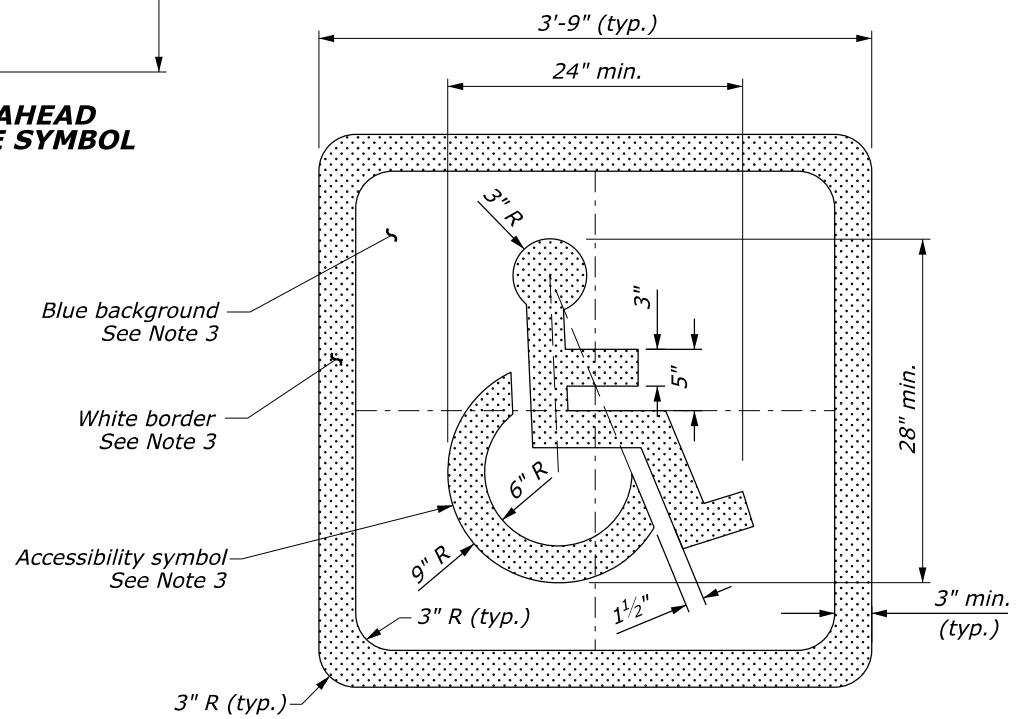
**"ONLY" WORD MESSAGE**



**"AHEAD" WORD MESSAGE**



**"SCHOOL" WORD MESSAGE**



Blue background  
See Note 3

White border  
See Note 3

Accessibility symbol  
See Note 3

| PAVEMENT MARKING AREAS                       |      |
|--|------|
| TYPE   | SQFT |
| Accessibility Symbol:                        | --   |
| w/ Symbol only                               | 2    |
| w/ Symbol, blue background, and white border | 16   |
| Straight Arrow Symbol                        | 12   |
| Straight/Turn Arrow Combination Symbol       | 26   |
| Turn Arrow Symbol                            | 16   |
| Yield Ahead Triangle Symbol (V<45 mph)       | 26   |
| Yield Ahead Triangle Symbol (V≥45 mph)       | 37   |
| "AHEAD" Word Message Marking                 | 30   |
| "ONLY" Word Message Marking                  | 21   |
| "SCHOOL" Word Message Marking                | 33   |
| "STOP" Word Message Marking                  | 22   |
| "YIELD" Word Message Marking                 | 24   |

NO SCALE

U.S. DEPARTMENT OF TRANSPORTATION, FHWA  
OFFICE OF FEDERAL LANDS HIGHWAY

**PAVEMENT MARKINGS  
SYMBOLS AND WORDS**

EFLHD DETAIL  
E634-01

SPECIFICATION  
FP-24, FP-14

APPROVED FOR USE  
06/2024