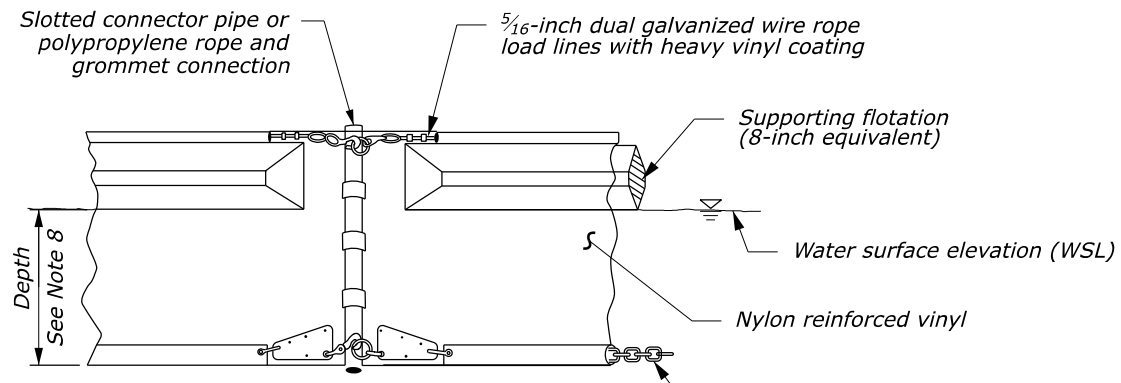
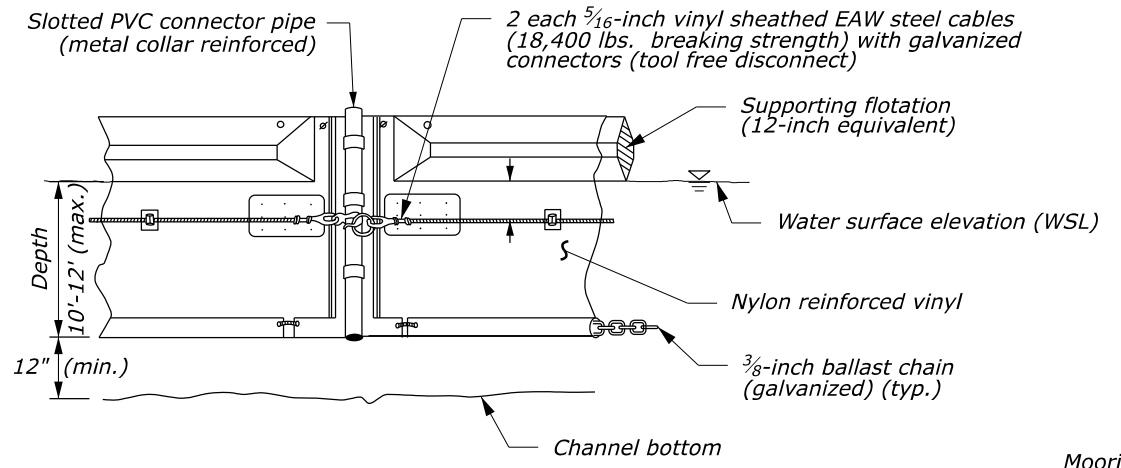


**TYPE 1**



**TYPE 2**

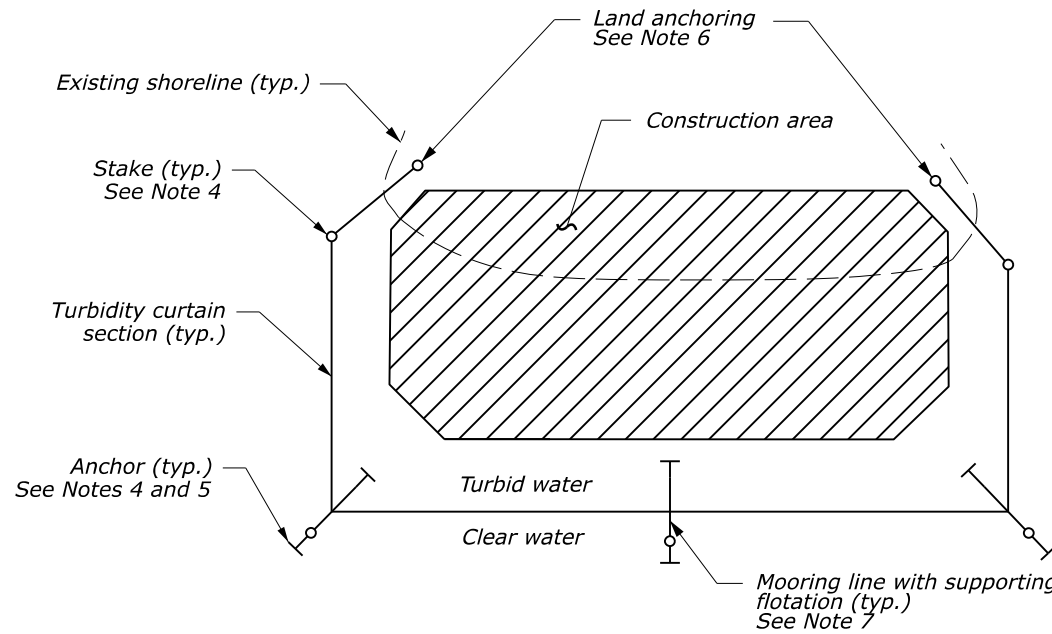


**TYPE 3**  
(See Note 9)

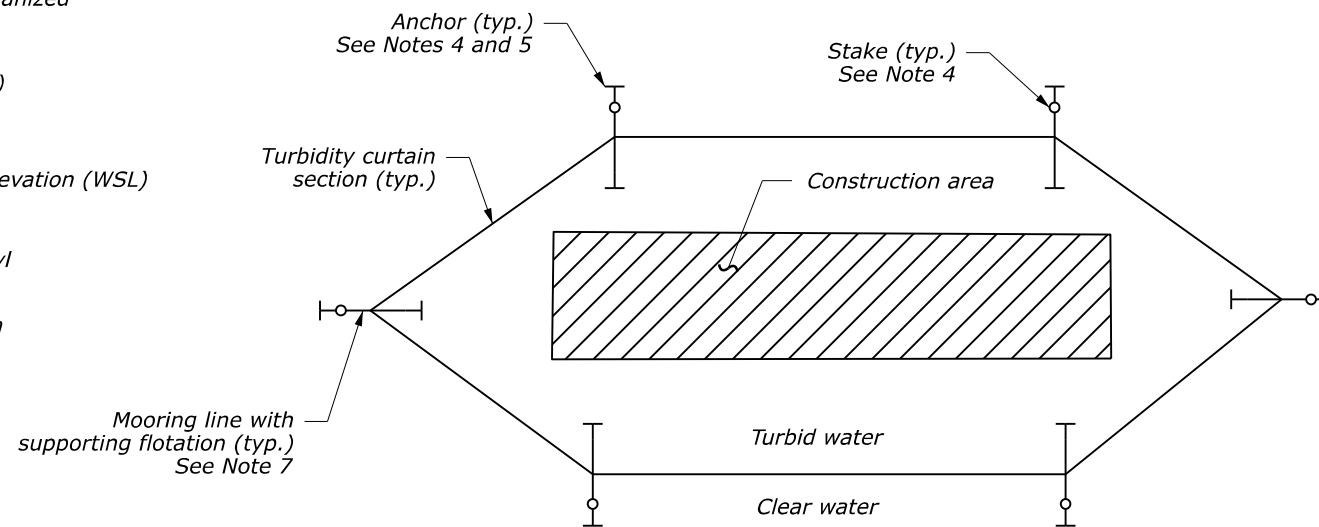
**FLOATING TURBIDITY CURTAINS**

**USAGE CHART**

TYPE	MAXIMUM CURRENT (FT/S)	ADDITIONAL CONDITIONS
1	0.0	No Wave/Wind/Tidal Action
2	3.5	Moving Water (One Direction)
3	5.0	Tidal Action or Subject to Wind and Wave Actions



**PLAN VIEW - INSTALLATION FOR SHORELINE WORK**



**PLAN VIEW - INSTALLATION FOR PILE WORK**

**NOTES:**

1. Select a floating turbidity curtain type to suit the site conditions and meet erosion control and water quality requirements. Submit details and specifications of the selected curtain type for approval prior to installation.
2. Install floating turbidity curtains before the start of any construction activities that could impact the area of concern.
3. Install floating turbidity curtains parallel to the direction of flow of a moving water body. Do not install curtains across the main flow of a significant moving water body. Do not install curtains where the flow of water will remove accumulated sediment or significantly move the curtain.
4. Install floating turbidity curtain stakes in a vertical position unless otherwise directed. Install anchors and stakes at no more than 100-foot spacing.
5. For Type 1 floating turbidity curtains, install anchors made of wooden stakes (2- by 4-inch rectangular or 2 1/2-inch minimum diameter) or metal stakes (1 1/2 pounds per linear foot). For Type 2 and 3 curtains, install anchors that are either weighted or that dig into the channel bottom.
6. Extend the ends of floating turbidity curtains well up into the shoreline as approved, especially if high water conditions are expected. Secure the ends firmly to the shoreline (preferably to rigid bodies such as trees or piles) to fully enclose the area where sediment may enter into the water body.
7. Provide minimum 1/2-inch nylon rope for adjustment line for mooring system. Ensure the mooring line is securely attached and is sufficiently buoyant to remain afloat under normal load conditions.
8. For Type 1 and 2 floating turbidity curtains, extend the nylon reinforced vinyl fabric through the entire depth of the water (to the channel bottom) unless tidal actions are present.
9. In areas subject to wind and wave actions or where tidal actions are present, use Type 3 floating turbidity curtains as directed. Install Type 3 curtains according to the manufacturer's recommendations and as approved.
10. Remove captured sediment behind floating turbidity curtains prior to removing the curtains. Do not disperse sediment into adjacent water body.

NO SCALE

U.S. DEPARTMENT OF TRANSPORTATION, FHWA OFFICE OF FEDERAL LANDS HIGHWAY	EFLHD DETAIL E628-03
<b>FLOATING TURBIDITY CURTAINS</b>	SPECIFICATION FP-24
	APPROVED FOR USE 05/2024