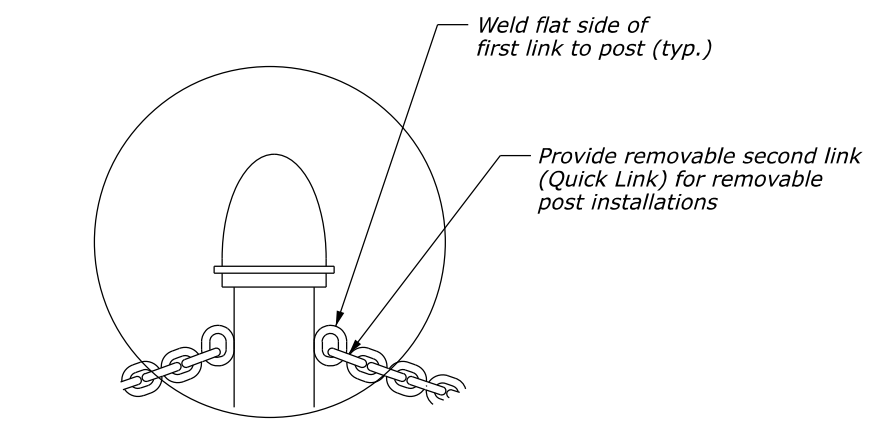
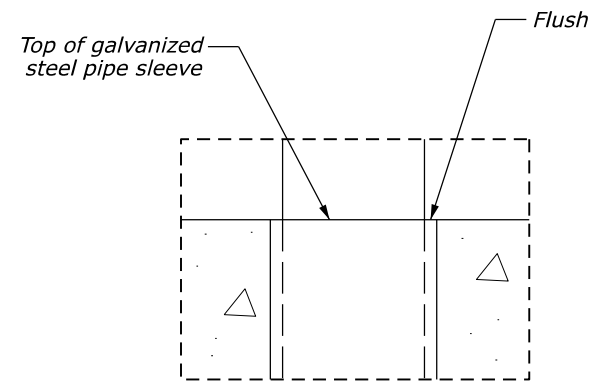


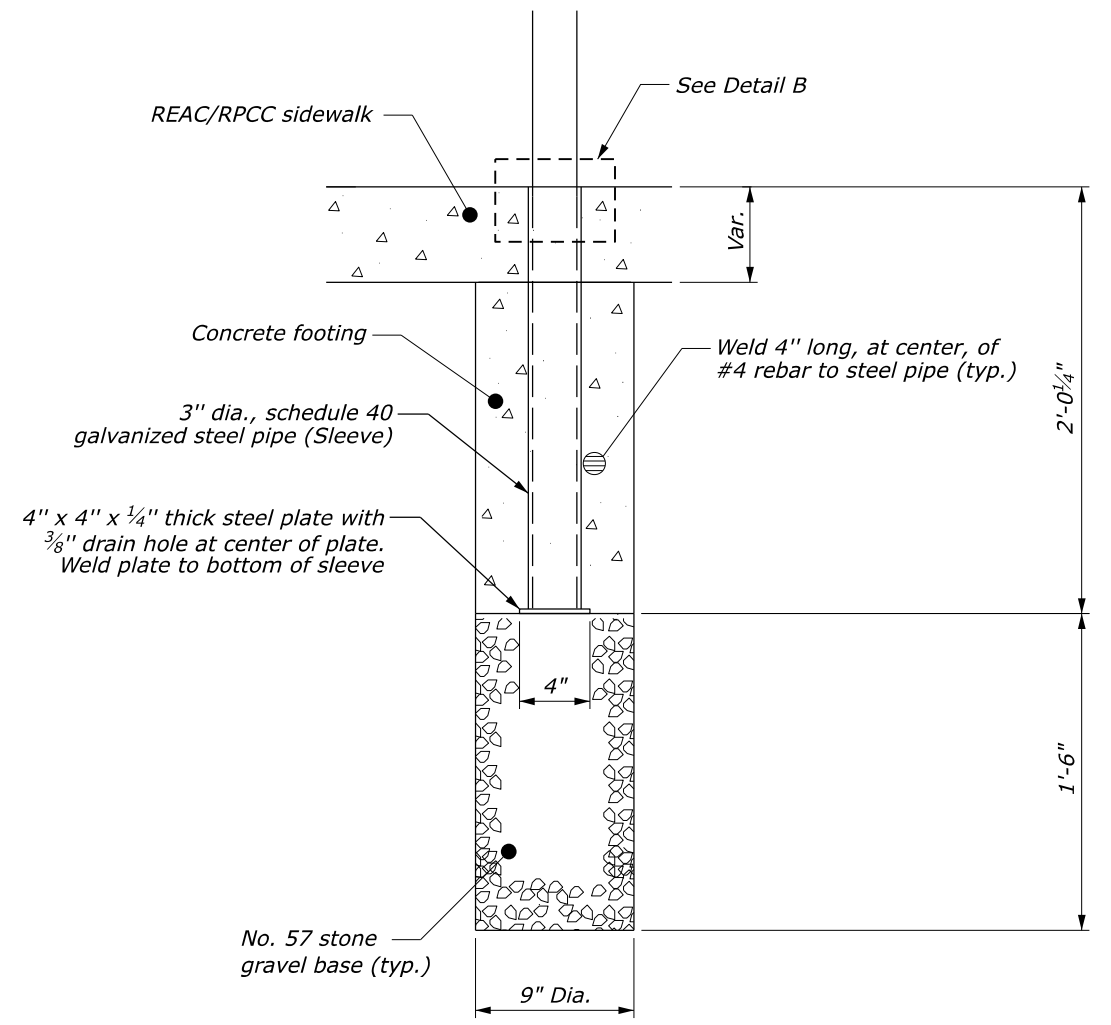
**NON REMOVABLE POST**



**DETAIL A**



**DETAIL B**



**REMOVABLE POST**

**NOTES:**

1. Coat according to Section 563.
2. Provide galvanized cast iron acorn caps conforming to Subsections 717.04 and 717.07.
3. Provide steel pipe conforming to Subsection 717.06.

NO SCALE

|   |  |
|---|--|
| <p>U.S. DEPARTMENT OF TRANSPORTATION, FHWA<br/>OFFICE OF FEDERAL LANDS HIGHWAY</p> <p><b>POST AND CHAIN</b></p> | <p>EFLHD DETAIL<br/><b>E619-11</b></p>                             |
|   | <p>SPECIFICATION<br/>FP-24</p> <p>APPROVED FOR USE<br/>06/2024</p> |