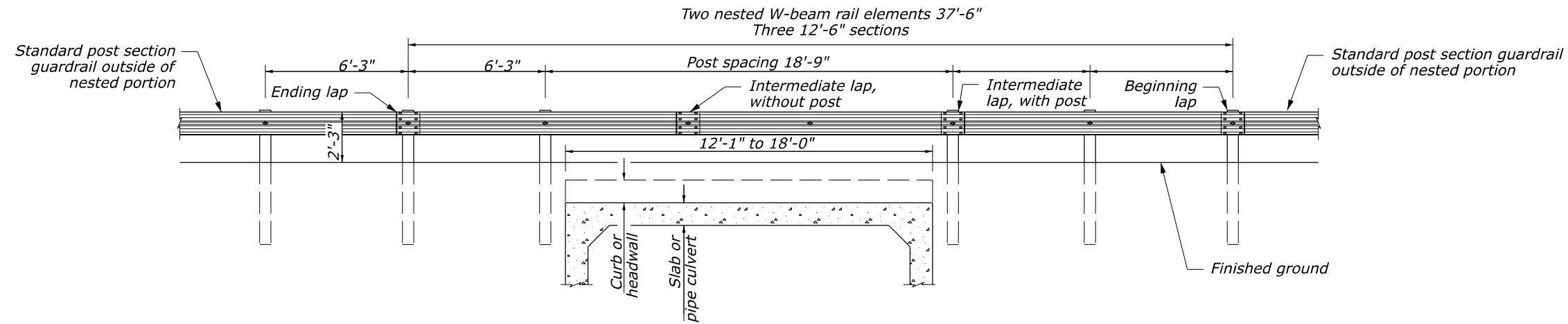
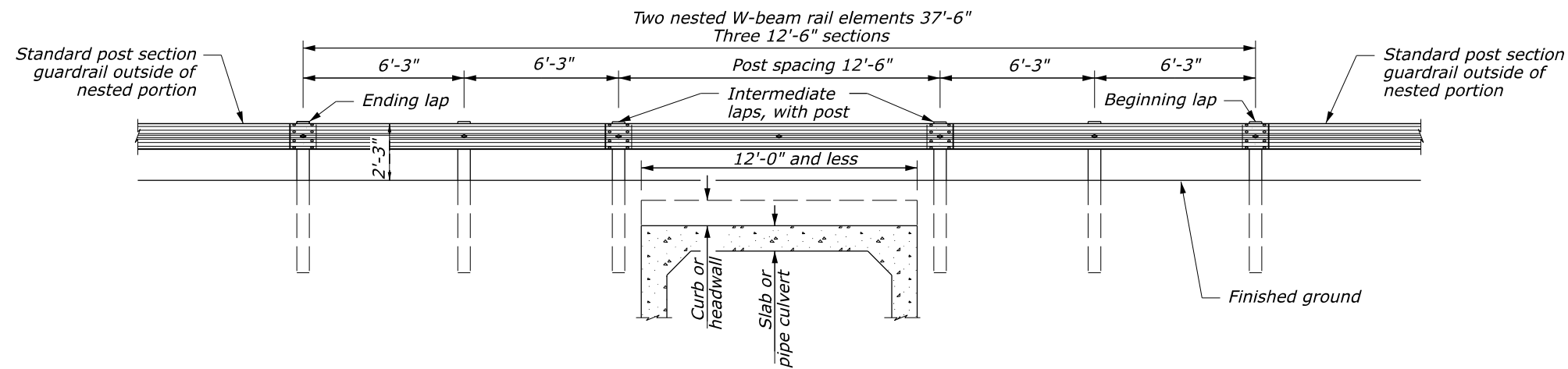


NOTE:

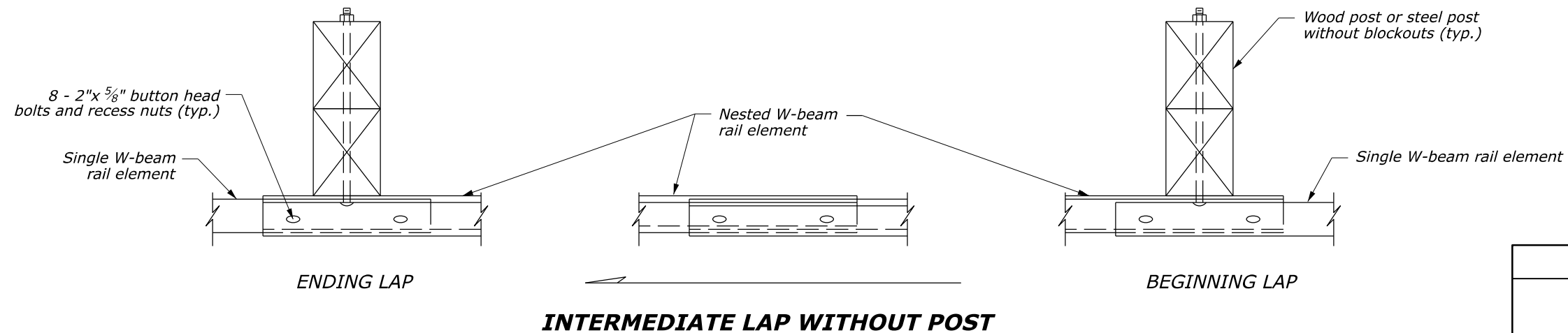
25-foot rail lengths may be used to eliminate the intermediate lap without a post as approved.



ELEVATION
STRUCTURES WIDER THAN 12' UP TO 18'



ELEVATION
STRUCTURES 12' WIDE AND LESS



NO SCALE

U.S. DEPARTMENT OF TRANSPORTATION, FHWA OFFICE OF FEDERAL LANDS HIGHWAY	EFLHD DETAIL E617-24
G4 W-BEAM GUARDRAIL PLACEMENT AT MINOR STRUCTURES AND PIPE CULVERTS	SPECIFICATION FP-24, FP-14 APPROVED FOR USE 05/2024