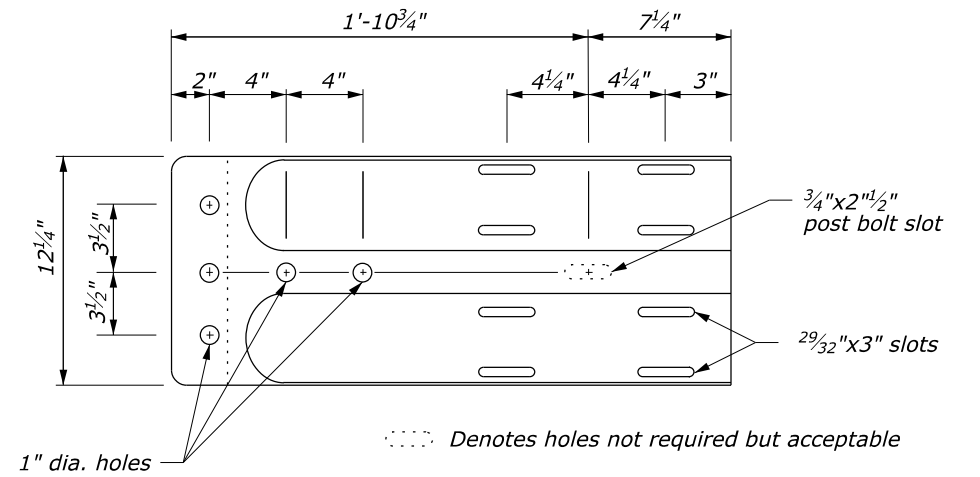
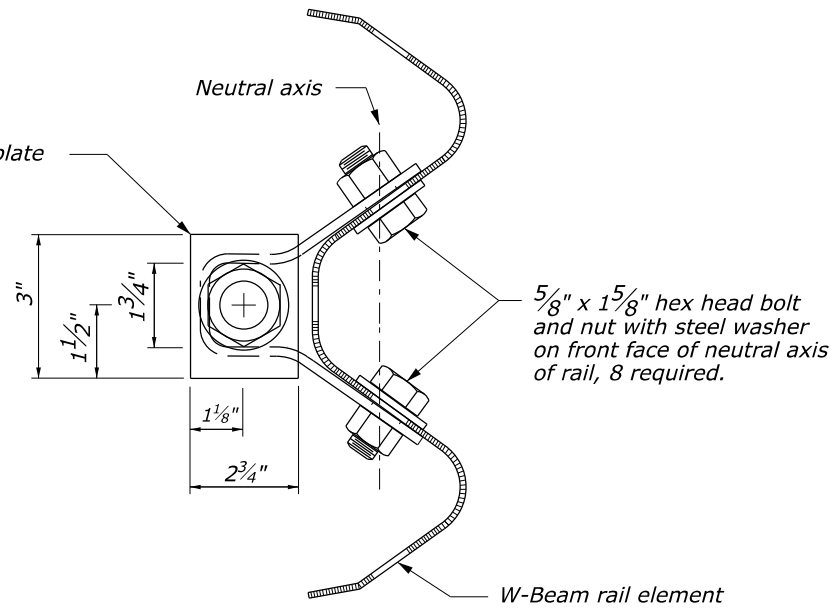
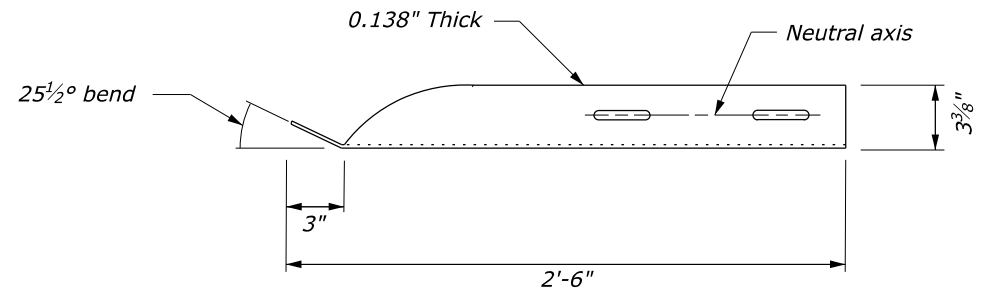


**CABLE ANCHOR PLATE DETAILS**

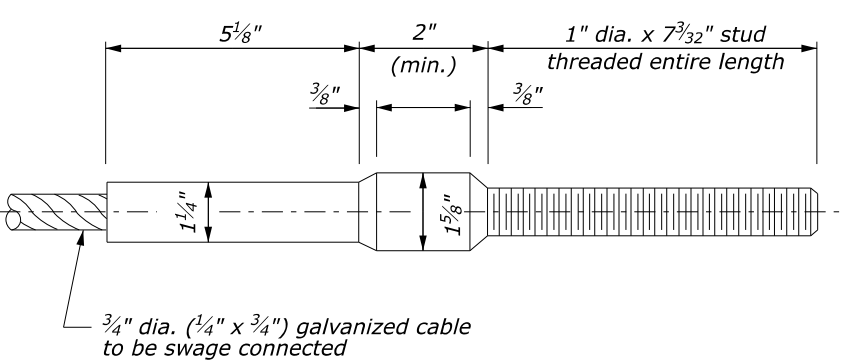


**ELEVATION**

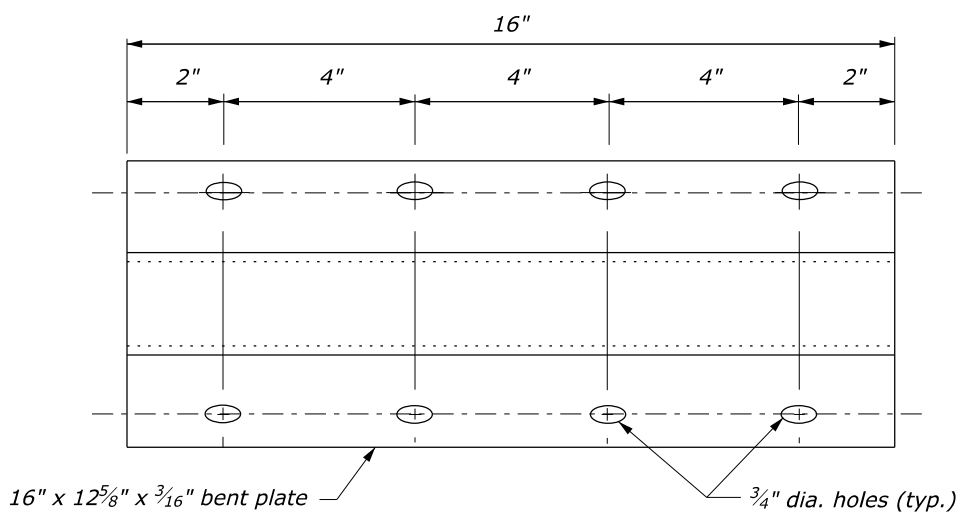


**PLAN**

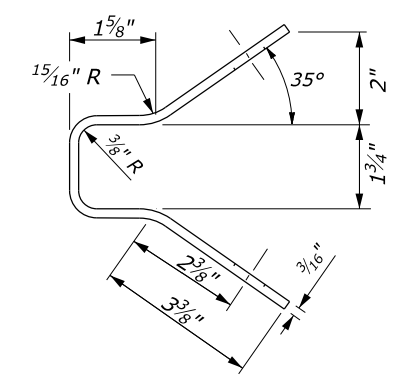
**TERMINAL CONNECTOR**



**CABLE ANCHOR ASSEMBLY**  
(Standard swaged fitting and stud)



**FRONT**



**SIDE**

**GURDRAIL ANCHOR BRACKET**

NO SCALE

U.S. DEPARTMENT OF TRANSPORTATION, FHWA OFFICE OF FEDERAL LANDS HIGHWAY	EFLHD DETAIL E617-13
<b>G4 W-BEAM GUARDRAIL BCT AND MELT ANCHORAGE ASSEMBLY</b>	SPECIFICATION FP-24
	APPROVED FOR USE 05/2024

M:\Standards\_and\_Details\EFLHD\_Detail Drawings\FP-24\G17-Guardrail\stg1713\_detail.dgn [Sheet] 9 May 2024 2:26 PM