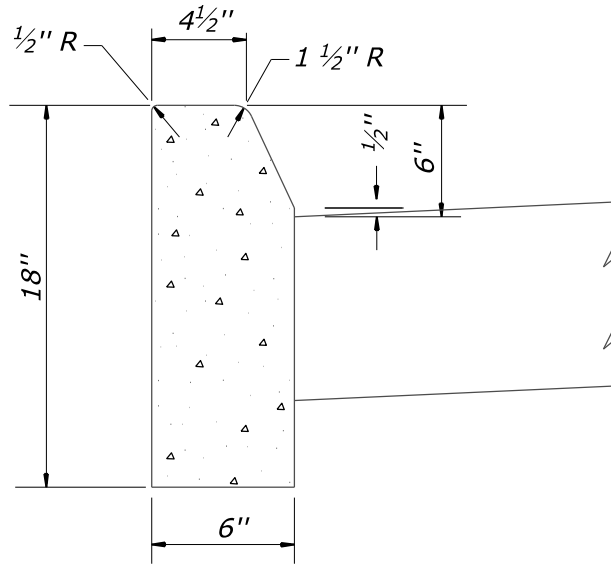
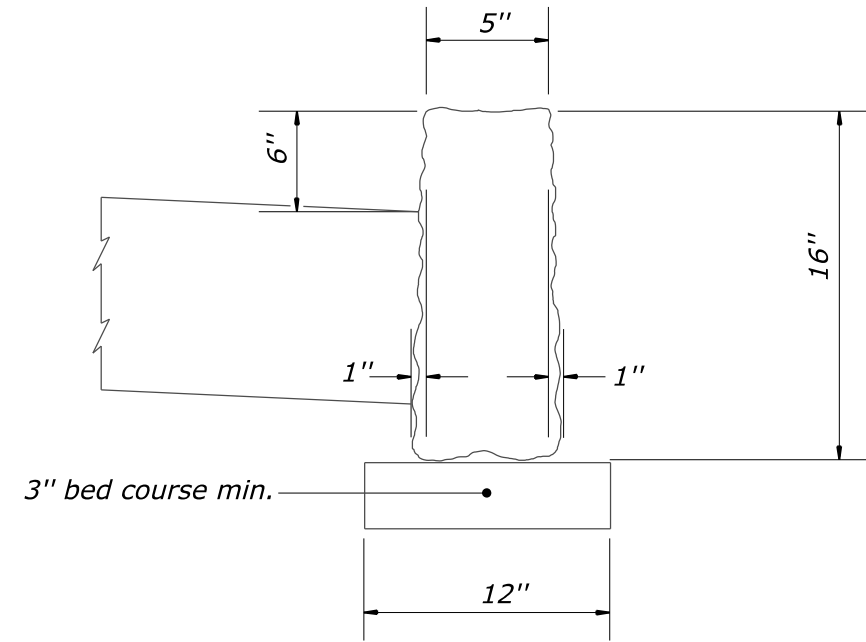


16-INCH DEPTH  
(MOUNTABLE)



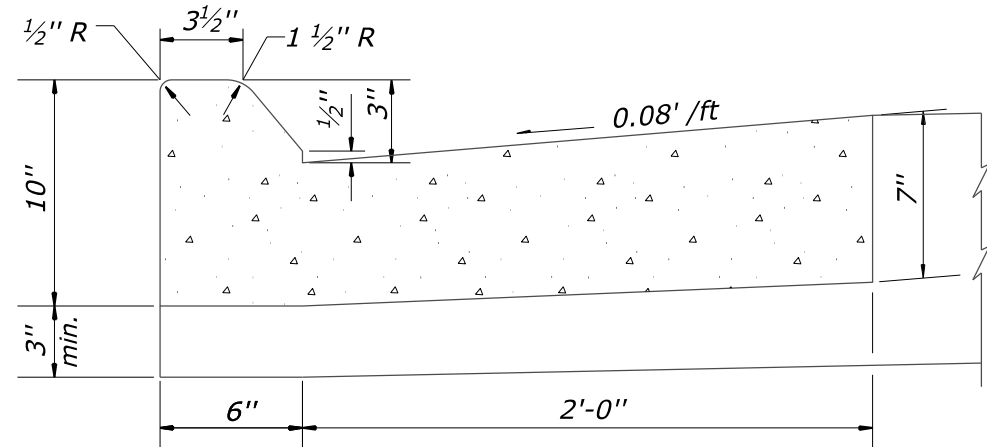
18-INCH DEPTH  
(NON-MOUNTABLE)



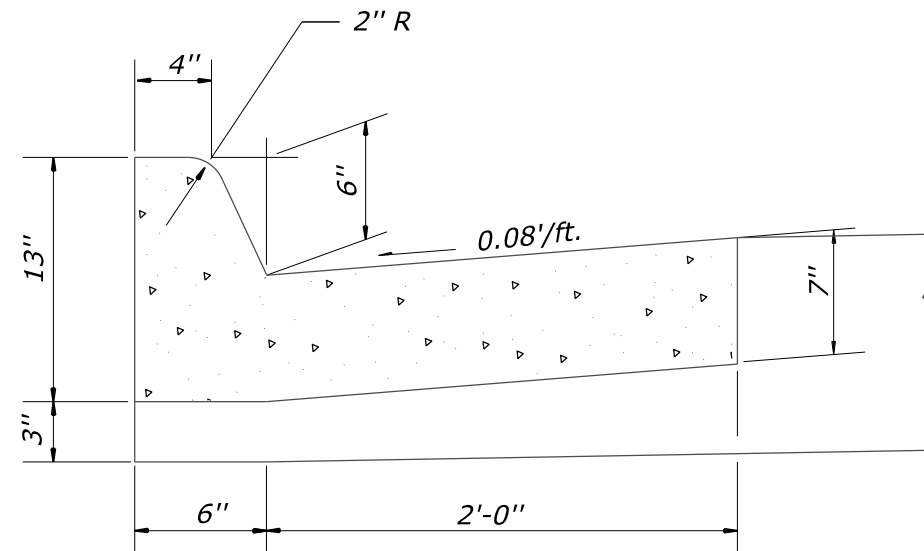
**STONE CURB**

16-INCH DEPTH  
(NON-MOUNTABLE)

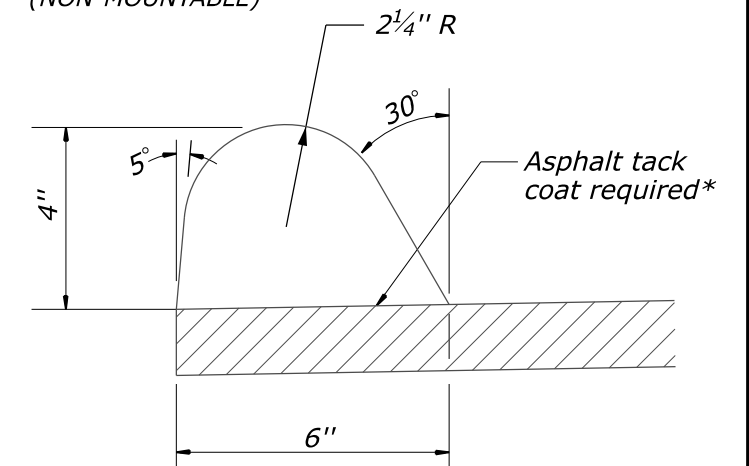
**PORTLAND CEMENT CONCRETE CURB**



10-INCH DEPTH  
(MOUNTABLE)



13-INCH DEPTH  
(NON-MOUNTABLE)



**ASPHALT CONCRETE CURB**

4-INCH DEPTH  
(NON-MOUNTABLE)

\* Asphalt tack coat may be rapid curing liquid asphalt or emulsified asphalt.

**PORTLAND CEMENT CONCRETE CURB AND GUTTER**

NO SCALE

U.S. DEPARTMENT OF TRANSPORTATION, FHWA OFFICE OF FEDERAL LANDS HIGHWAY		EFLHD DETAIL E609-01
<b>CURBS</b>		SPECIFICATION FP-24, FP-14
		APPROVED FOR USE 05/2024