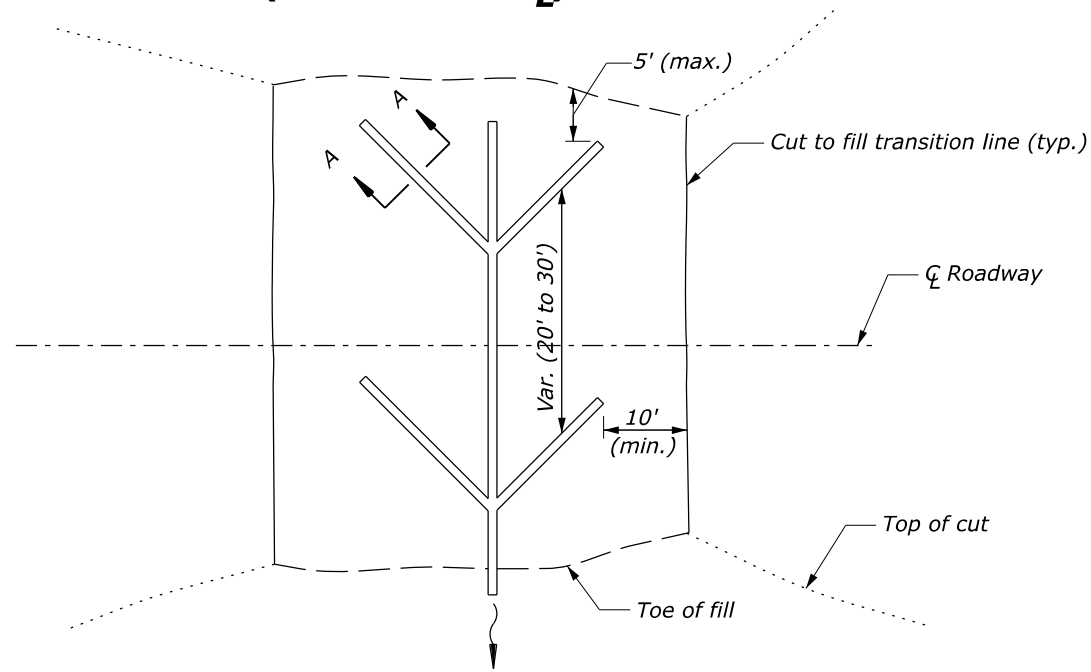
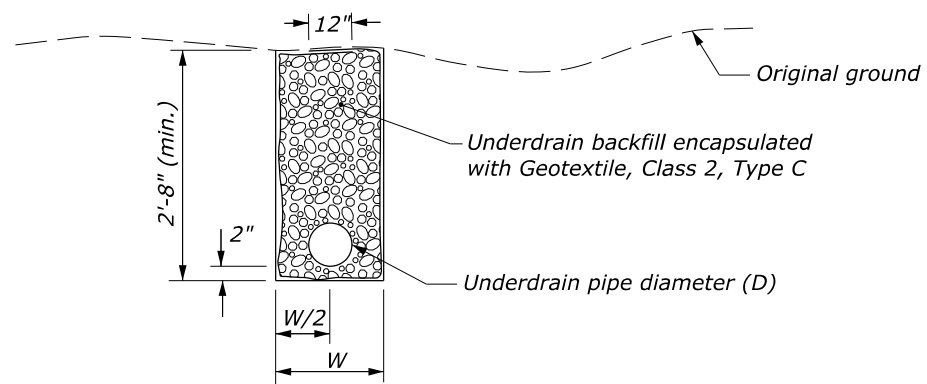


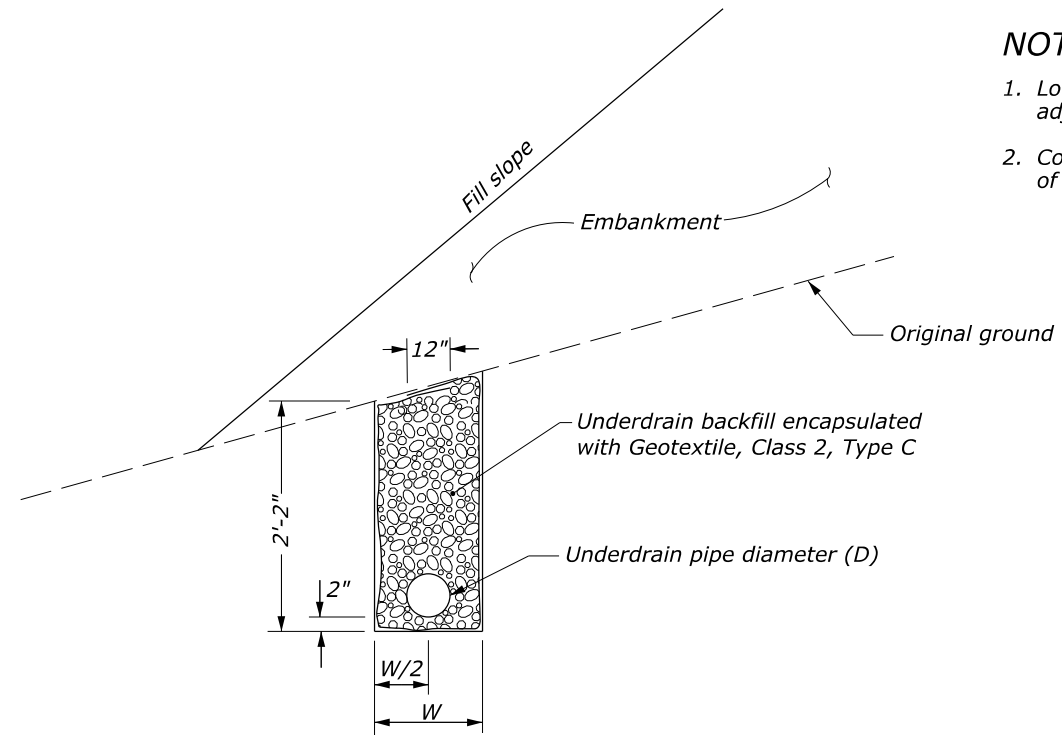
**HERRINGBONE DRAINAGE PATTERN
(PARALLEL TO C)**



**HERRINGBONE DRAINAGE PATTERN
(PERPENDICULAR TO C)**

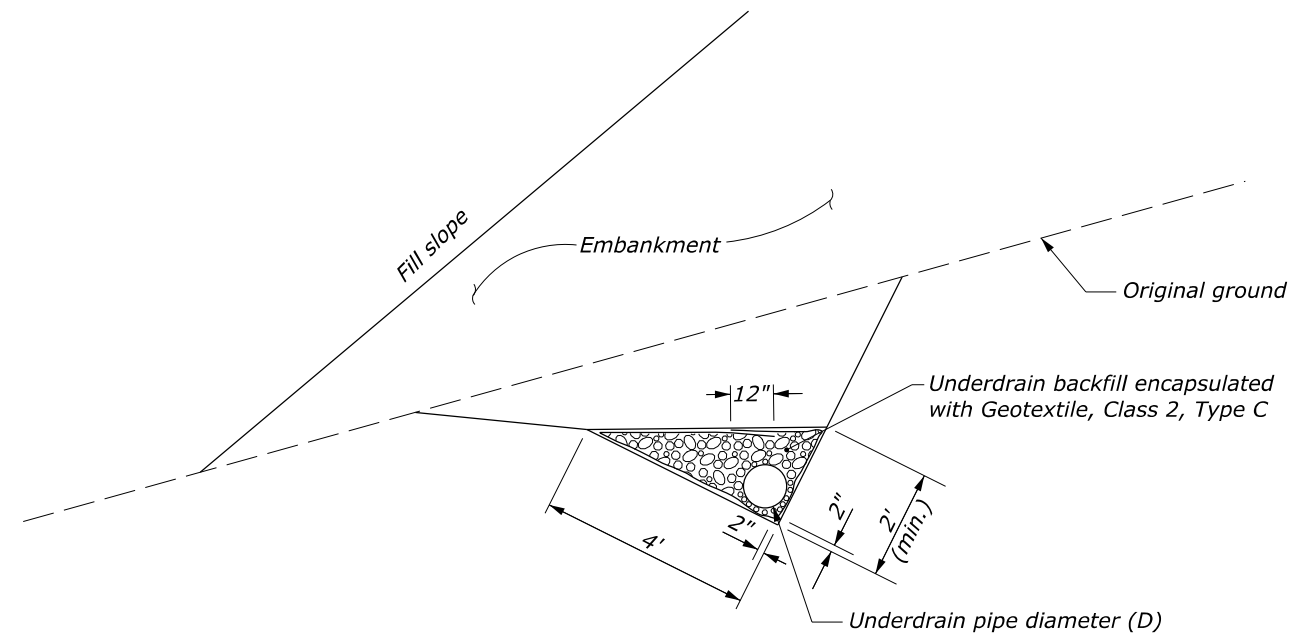


SECTION A-A



NOTES:

1. Location of pipe underdrain may be adjusted as approved.
2. Construct underdrain with a grade of at least 0.5%.



DIAMETER (D)	MINIMUM WIDTH (W)
4"	12"
6"	15"

NO SCALE

U.S. DEPARTMENT OF TRANSPORTATION, FHWA
OFFICE OF FEDERAL LANDS HIGHWAY

EFLHD DETAIL
E605-02

**UNDERDRAIN FOR
FILL SLOPES**

SPECIFICATION
FP-24

APPROVED FOR USE
05/2024