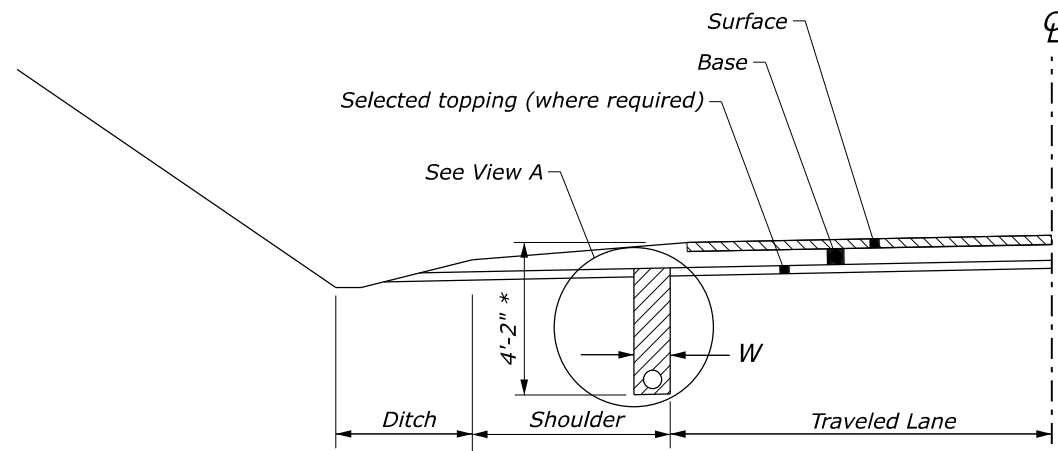
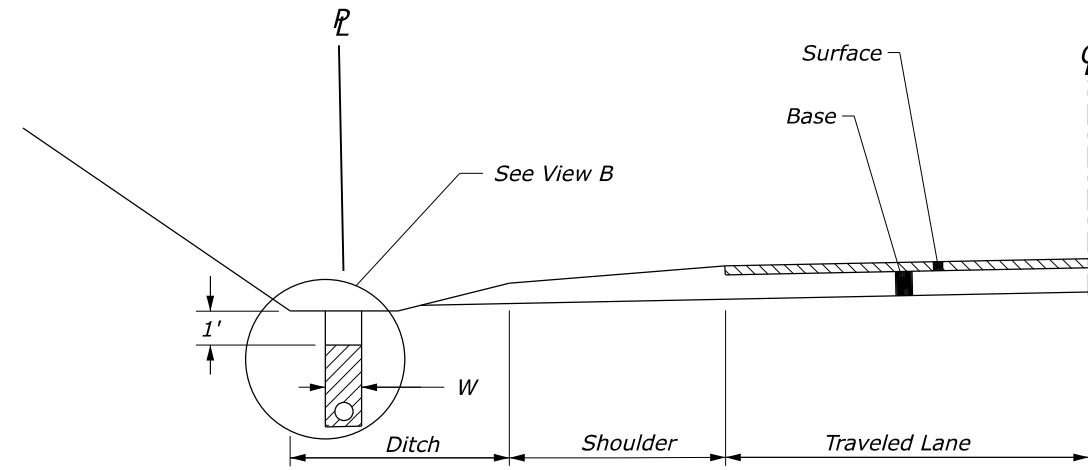


NOTES:

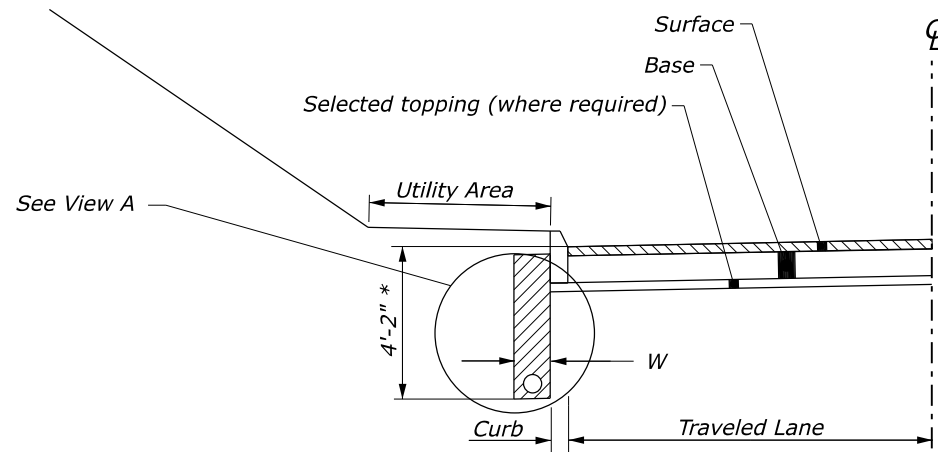
1. Location of pipe underdrain may be adjusted as approved.
2. Construct underdrain with a grade of at least 0.5%.



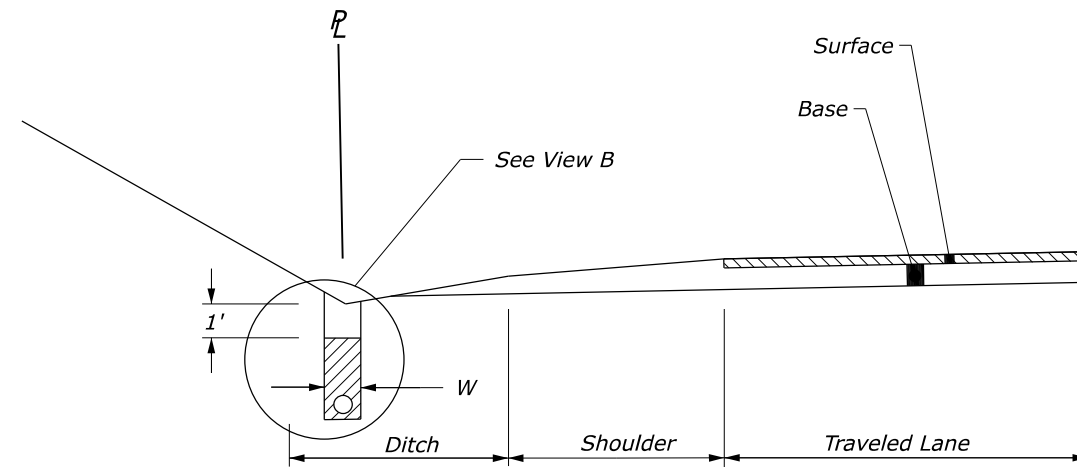
SHOULDER



FLAT BOTTOM DITCH

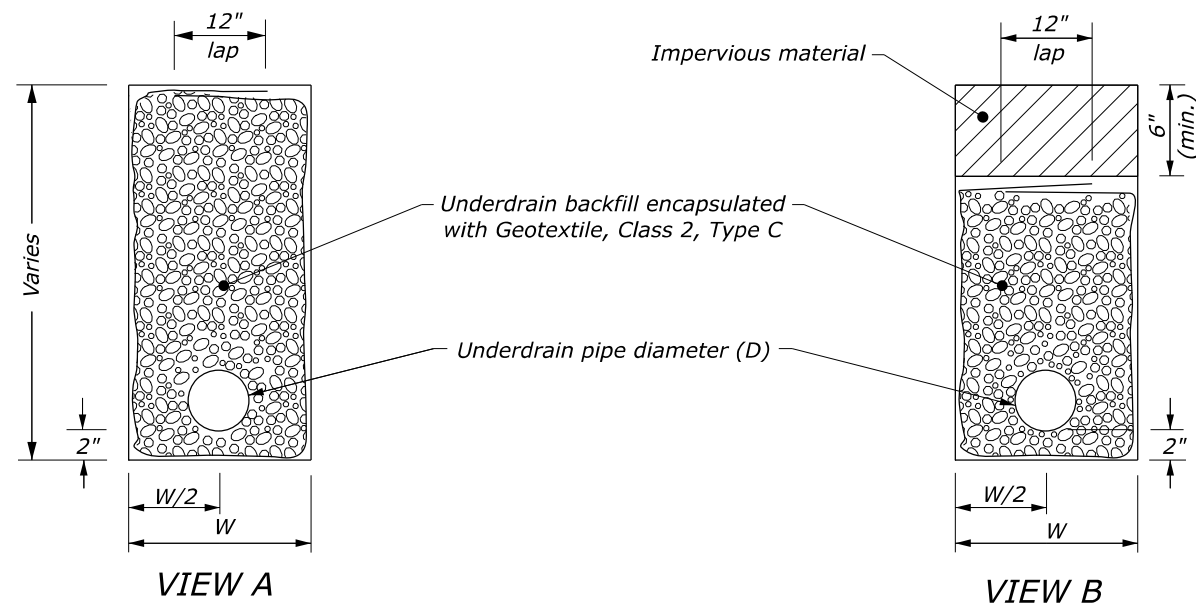


CURB AND GUTTER



VEE DITCH

* Adjust depth to meet field conditions as approved.



DIAMETER (D)	MINIMUM WIDTH (W)
4"	12"
6"	15"

NO SCALE

U.S. DEPARTMENT OF TRANSPORTATION, FHWA OFFICE OF FEDERAL LANDS HIGHWAY		EFLHD DETAIL E605-01
UNDERDRAIN FOR PAVEMENT AND DITCHES		SPECIFICATION FP-24
		APPROVED FOR USE 05/2024