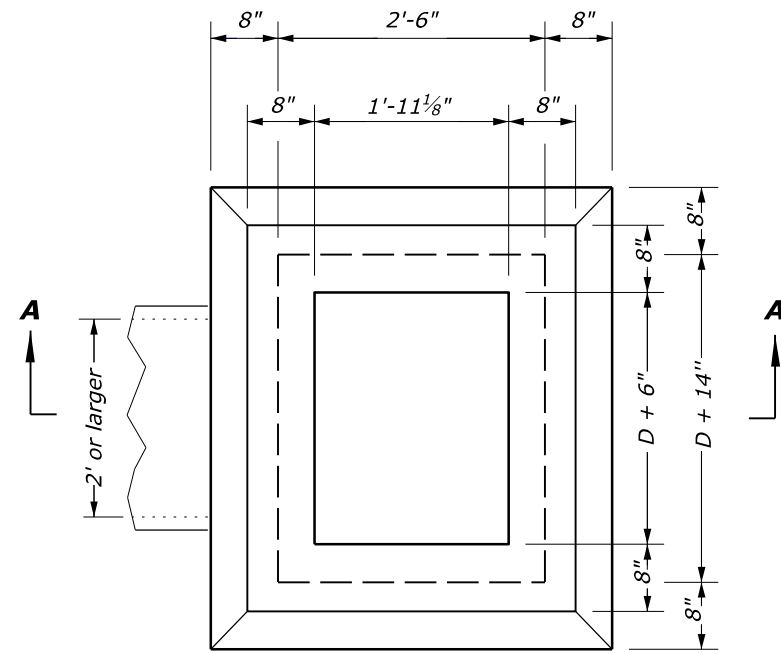
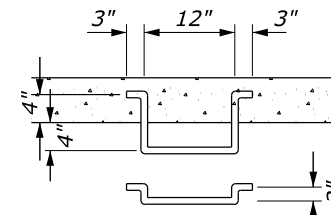


NOTES:

1. At the option of the Contractor, walls less than 4 feet in depth may be of either concrete block or concrete as shown.
2. Construct Type 6A-6 inlets for 24-inch pipes and larger for "Limited Headroom", unless otherwise directed.
3. Construct inlets parallel to the roadway centerline and grade. For pipes on skew, adjust inlets as directed.
4. Construct ladder rungs of 3/4-inch round or 3/4-inch square steel or wrought iron where depth exceeds 4 feet.
5. Minor variations in design and dimensions for frames and grating are permitted to allow manufacturer's standards. Ensure all grates are bicycle safe.
6. Orient curved vanes toward direction of stormwater flow. In a sump condition, orient curved vanes in either direction. Ensure all grates are correctly oriented towards stormwater flow.
7. Construct Type 6A-6 metal frame and grating for 6-inch reveal, unless otherwise directed.
8. See Sheet 2 of 2 for metal frame and grate (Curved Vane Grate) details.

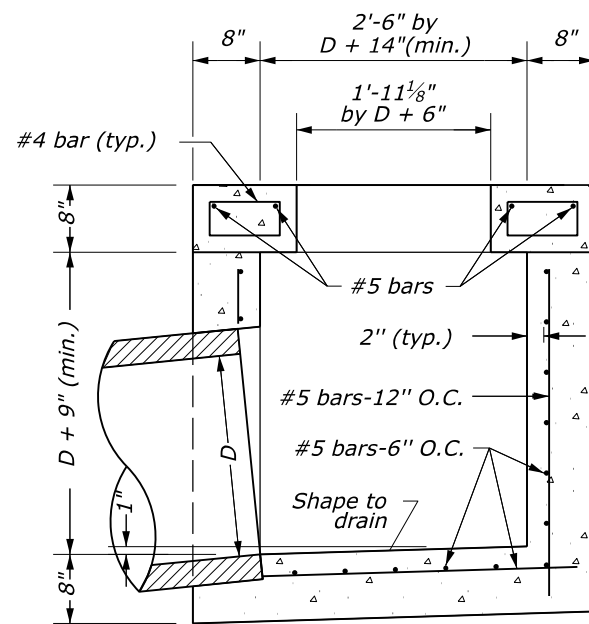


PLAN

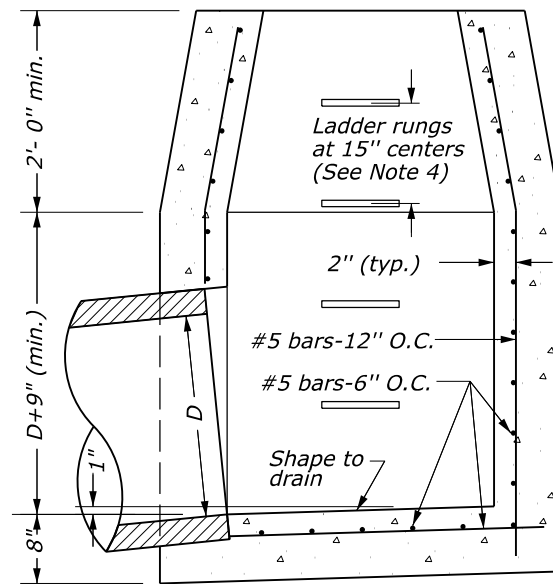


LADDER RUNG

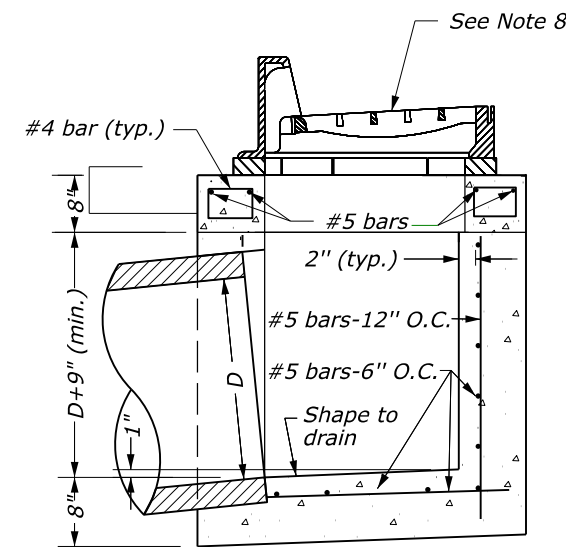
See Note 4



SECTION A-A
Limited Headroom



SECTION A-A
Ample Headroom



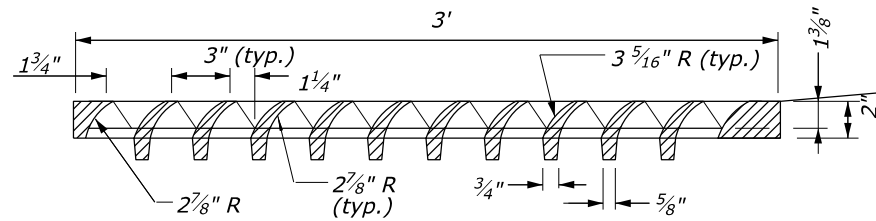
SECTION A-A

INLET, TYPE 6A-6
(For up to 24" pipes)

INLET, TYPE 6A-6
(For 24" or larger pipes)

NO SCALE

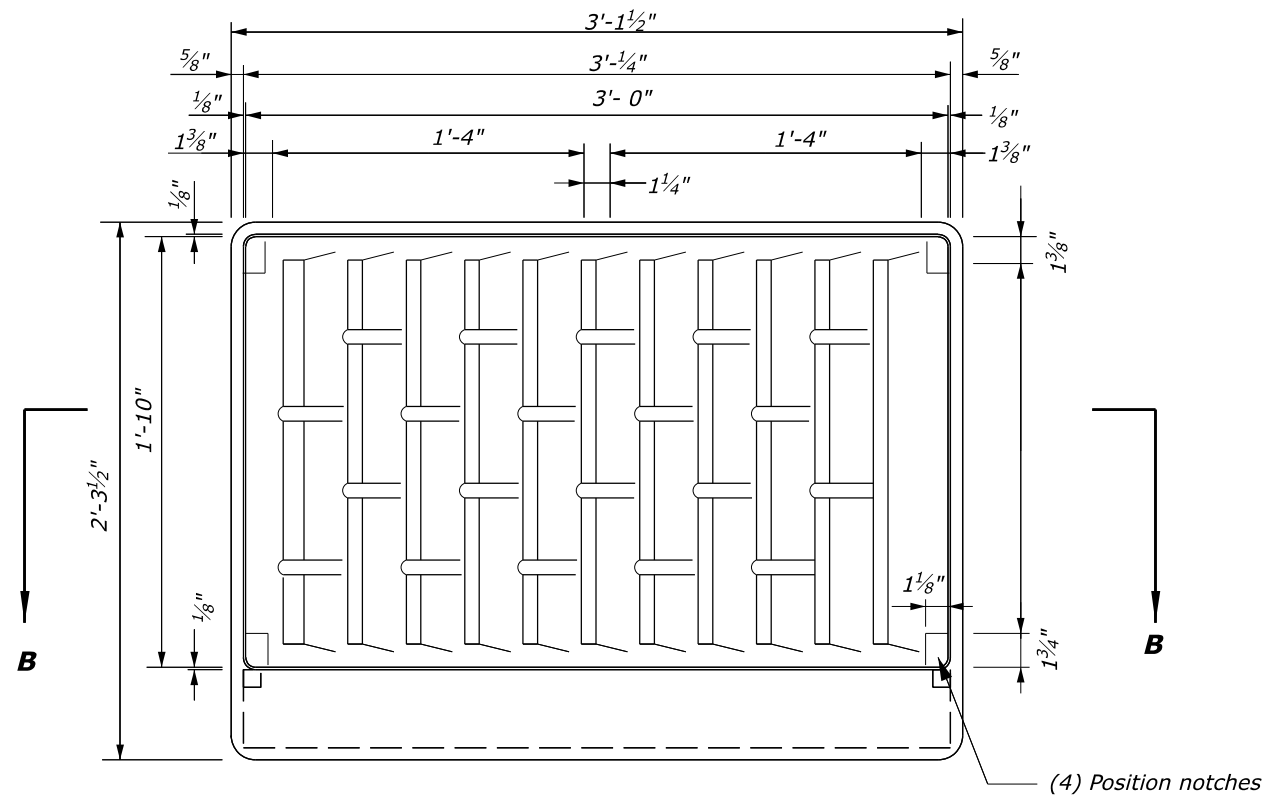
U.S. DEPARTMENT OF TRANSPORTATION, FHWA OFFICE OF FEDERAL LANDS HIGHWAY	EFLHD DETAIL E604-06
INLET, TYPE 6A-6 Sheet 1 of 2	SPECIFICATION FP-24, FP-14 APPROVED FOR USE 05/2024



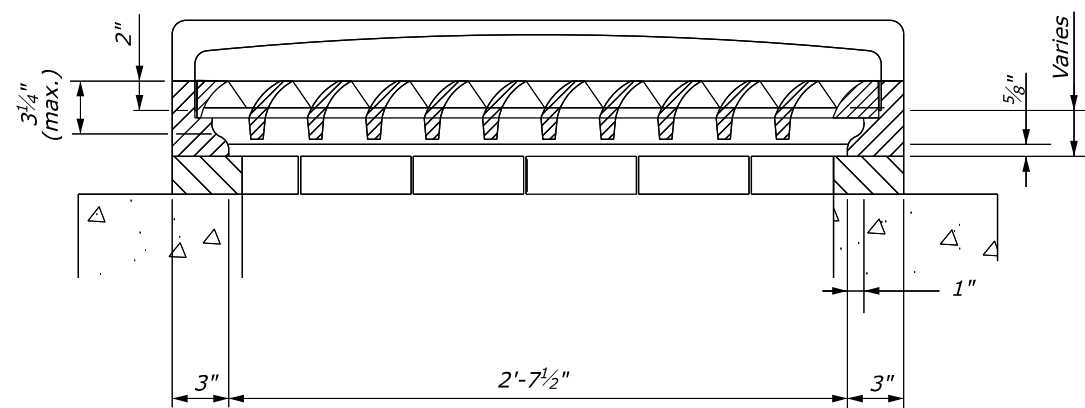
FRONT ELEVATION GRATE TYPE 6A-6 MOUNTED (CURVED VANE GRATINGS)

NOTES:

1. Minor variations in design and dimensions for frames and grating are permitted to allow manufacturer's standards. Ensure all grates are bicycle safe.
2. Orient curved vanes toward direction of stormwater flow. In a sump condition, orient curved vanes in either direction. Ensure all grates are correctly oriented towards stormwater flow.

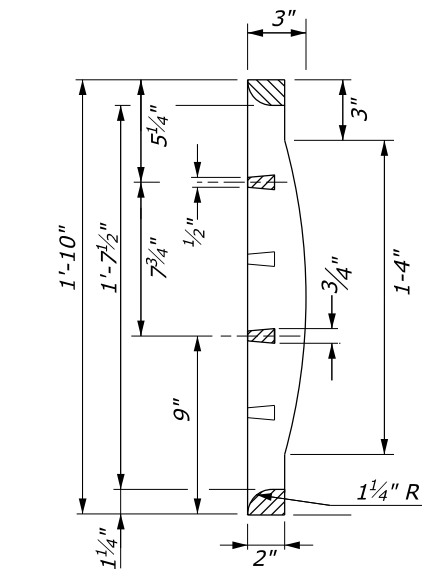


TOP VIEW FRAME GRATE TYPE 6A-6 MODIFIED (CURVED VANE GRATINGS)

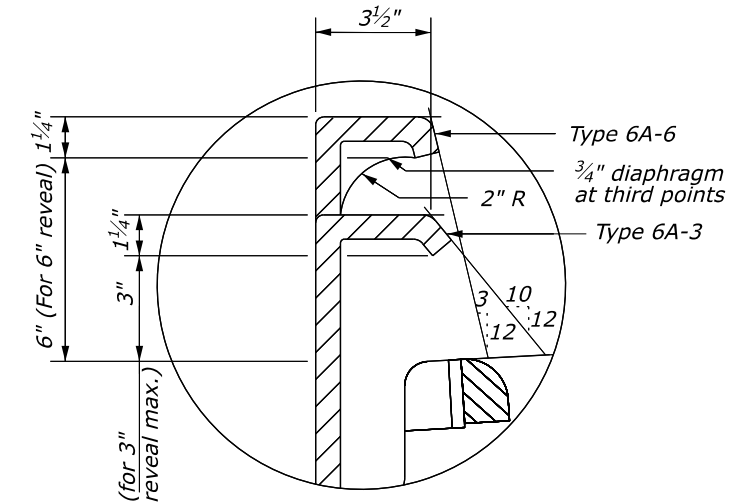


SECTION B-B

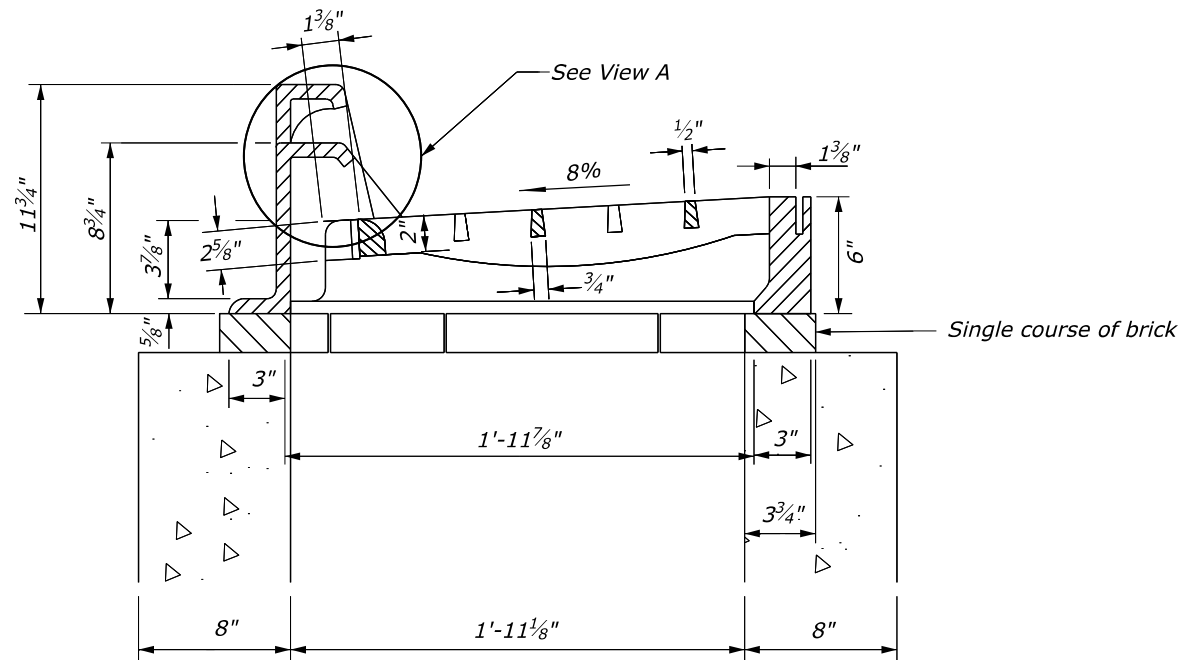
METAL FRAMES AND GRATING TYPE 6A-6 MODIFIED



SIDE ELEVATION GRATE TYPE 6A-6 MODIFIED (CURVED VANE GRATINGS)



VIEW A



NO SCALE

U.S. DEPARTMENT OF TRANSPORTATION, FHWA OFFICE OF FEDERAL LANDS HIGHWAY		EFLHD DETAIL E604-06
INLET, TYPE 6A-6 METAL FRAME AND GRATE (CURVED VANE GRATE)		SPECIFICATION FP-24, FP-14
Sheet 2 of 2		APPROVED FOR USE 05/2024