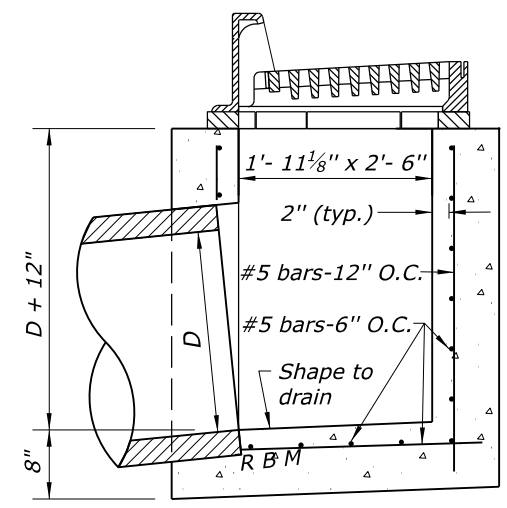
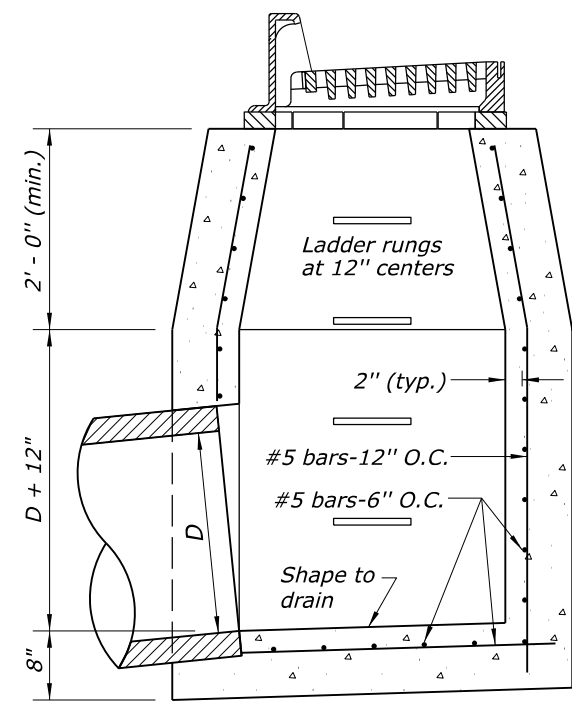
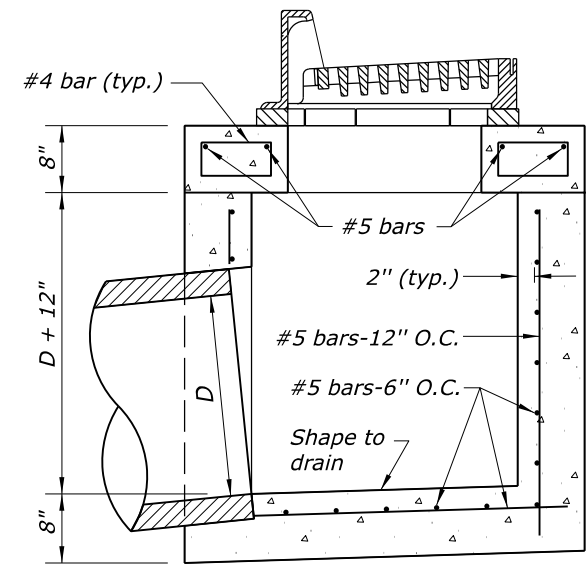
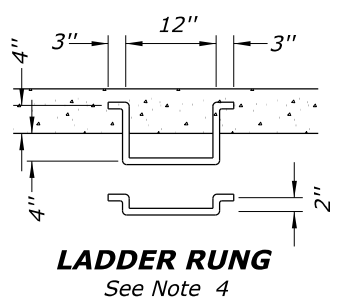


- NOTES:**
1. At the option of the Contractor, walls less than 4 feet in depth may be of either concrete block or concrete as shown.
 2. Construct Type 6A inlets for 24-inch pipes and larger for "Ample Headroom", unless otherwise directed.
 3. Construct inlets parallel to the roadway centerline and grade. For pipes on skew, adjust inlets as directed.
 4. Construct ladder rungs of $\frac{3}{4}$ -inch round or $\frac{3}{4}$ -inch square steel or wrought iron where depth exceeds 4 feet.
 5. Minor variations in design and dimensions for frames and grating are permitted to allow manufacturer's standards. Ensure grates are bicycle safe.



NO SCALE

U.S. DEPARTMENT OF TRANSPORTATION, FHWA OFFICE OF FEDERAL LANDS HIGHWAY	EFLHD DETAIL E604-05
INLET, TYPE 6A	SPECIFICATION FP-24, FP-14
	APPROVED FOR USE 05/2024