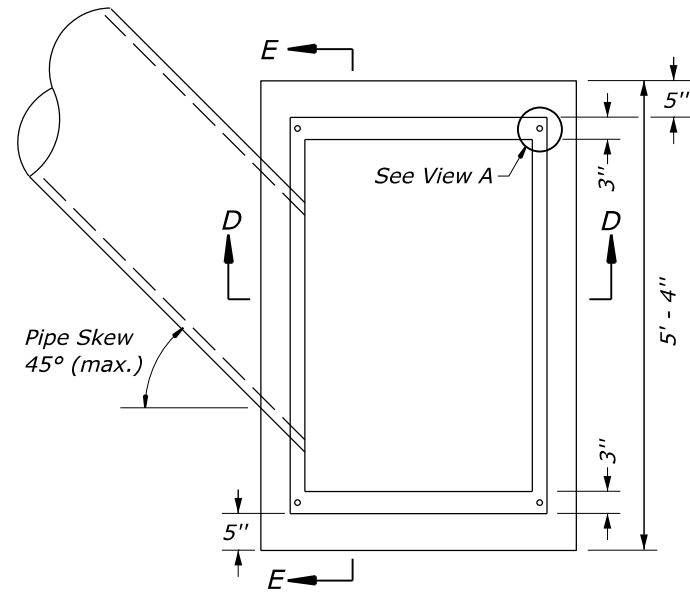
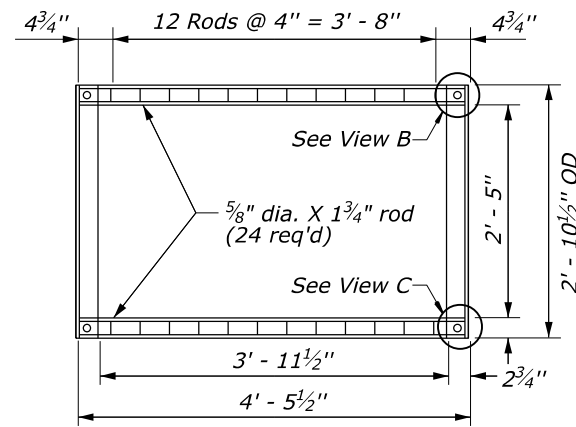


NOTES:

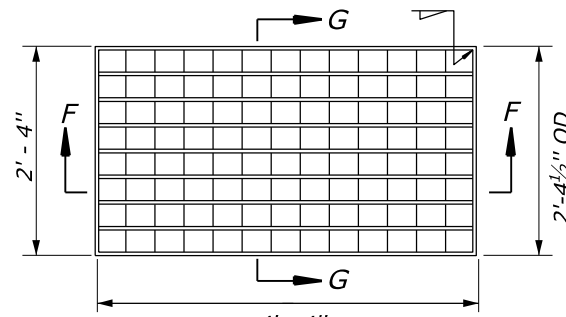
1. Provide #5 reinforcing bars, placed 1½ inches minimum from face of concrete.
2. In floors, place bars on 6-inch centers each way. In walls, place horizontal bars on 6-inch centers and vertical bars on 12-inch centers.
3. Provide metal parts for the frame and grate that are hot dipped galvanized after fabrication. Provide steel frame and grate.



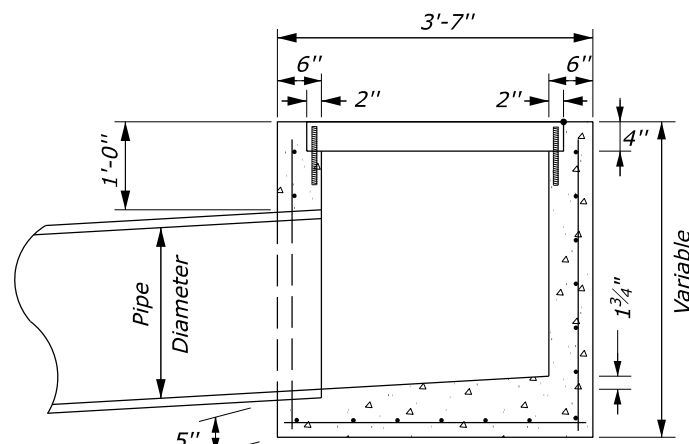
PLAN



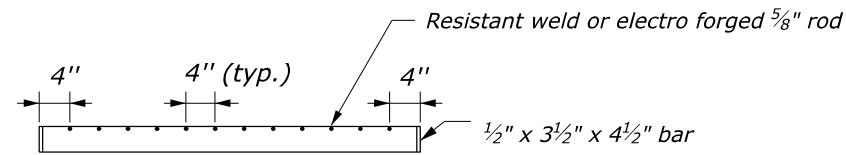
GRATE FRAME



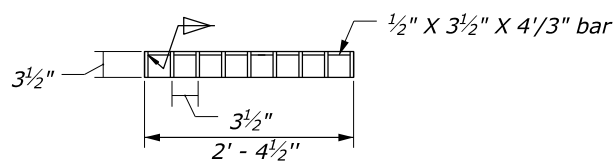
GRATE



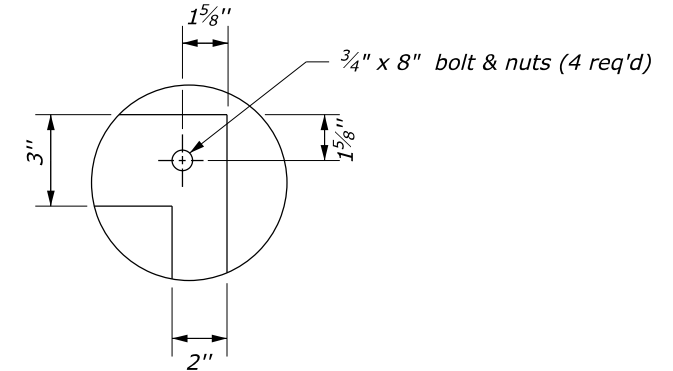
SECTION D-D



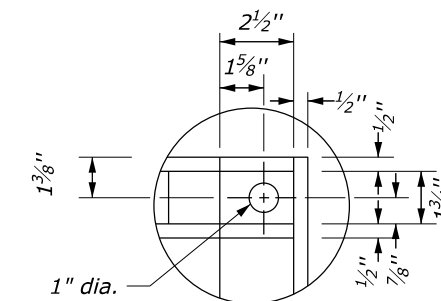
SECTION F-F



SECTION G-G



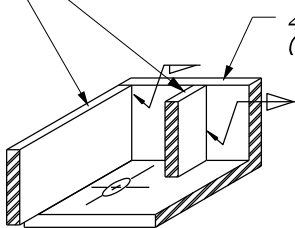
VIEW A



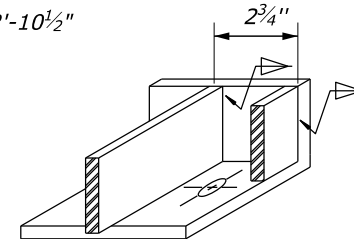
VIEW B

3½" x ½" x 4'-4½" (2 req'd)

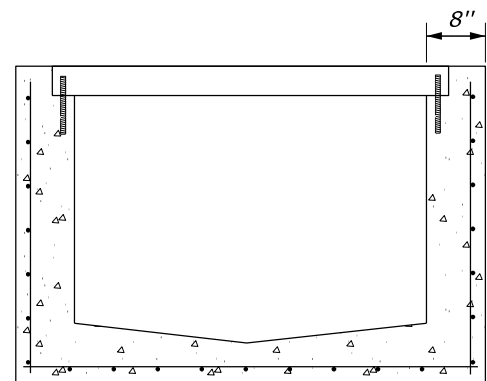
4" x 3" x ½" x 2'-10½" (2 req'd)



VIEW-B (Oblique)



VIEW C (Oblique)



SECTION E-E

NO SCALE

U.S. DEPARTMENT OF TRANSPORTATION, FHWA
OFFICE OF FEDERAL LANDS HIGHWAY

EFLHD DETAIL
E604-04

INLET, TYPE 5B

SPECIFICATION
FP-24, FP-14

APPROVED FOR USE
05/2024