

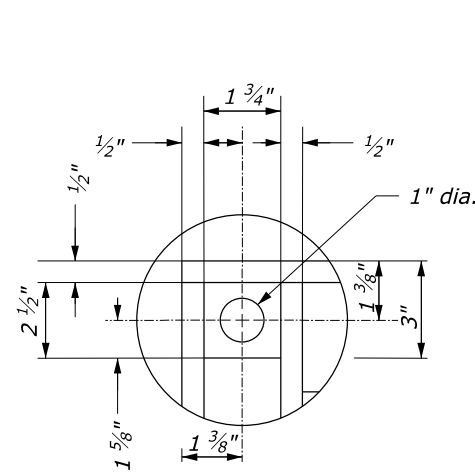
PRECAST COVER
Length = 5'-4"

NOTES:

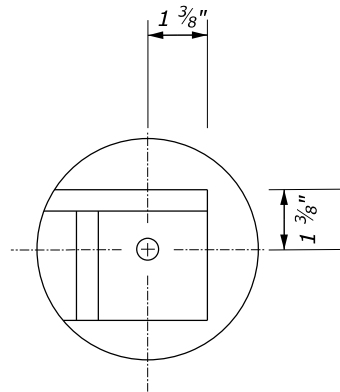
1. Provide #5 reinforcing bars, placed 1 1/2 inches minimum from face of concrete.
2. In floors, place bars on 6-inch centers each way. In walls, place horizontal bars on 6-inch centers and vertical bars on 12-inch centers.
3. Ensure all square corners on precast cover have 1 1/2-inch by 45° chamfer.
4. Bolt grate frame to inlet; alternate fastening methods will be allowed as approved.
5. See Sheet 2 of 2 for metal frame and grate details.
6. Inlet shown in cut location. In fill locations, use similar inlet except pipe outlet is on opposite side.

NO SCALE

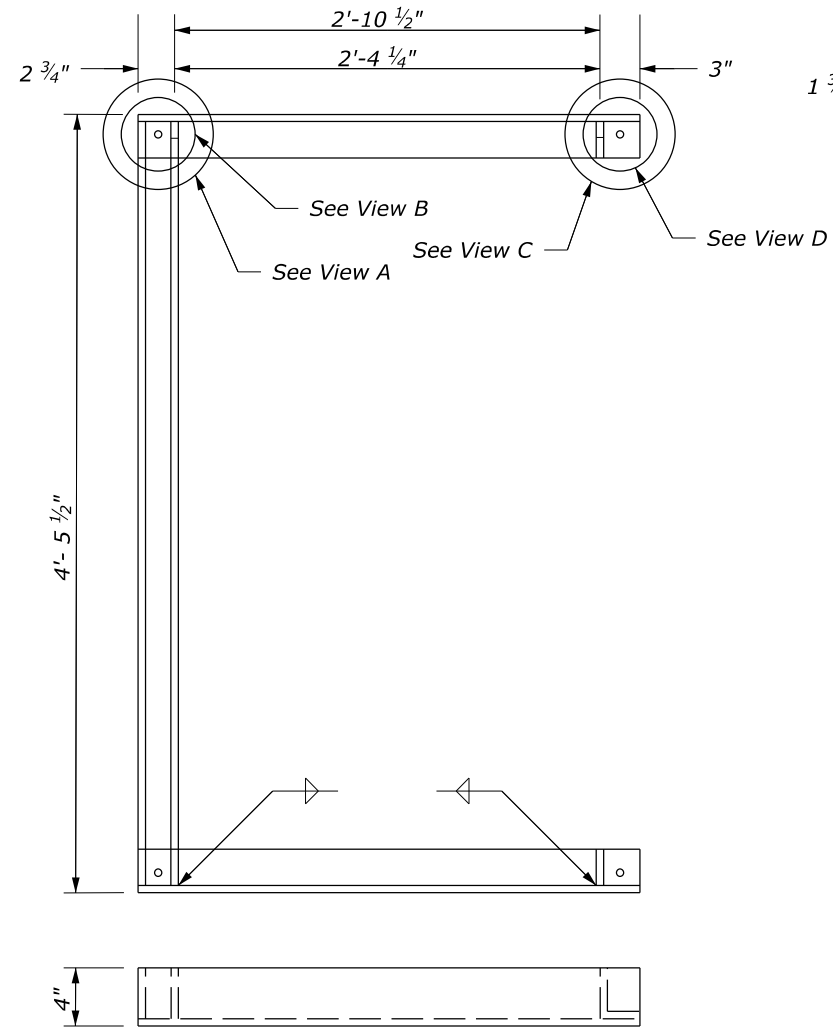
U.S. DEPARTMENT OF TRANSPORTATION, FHWA OFFICE OF FEDERAL LANDS HIGHWAY		EFLHD DETAIL E604-02
INLET, TYPE 4D Sheet 1 of 2		SPECIFICATION FP-24, FP-14
		APPROVED FOR USE 05/2024



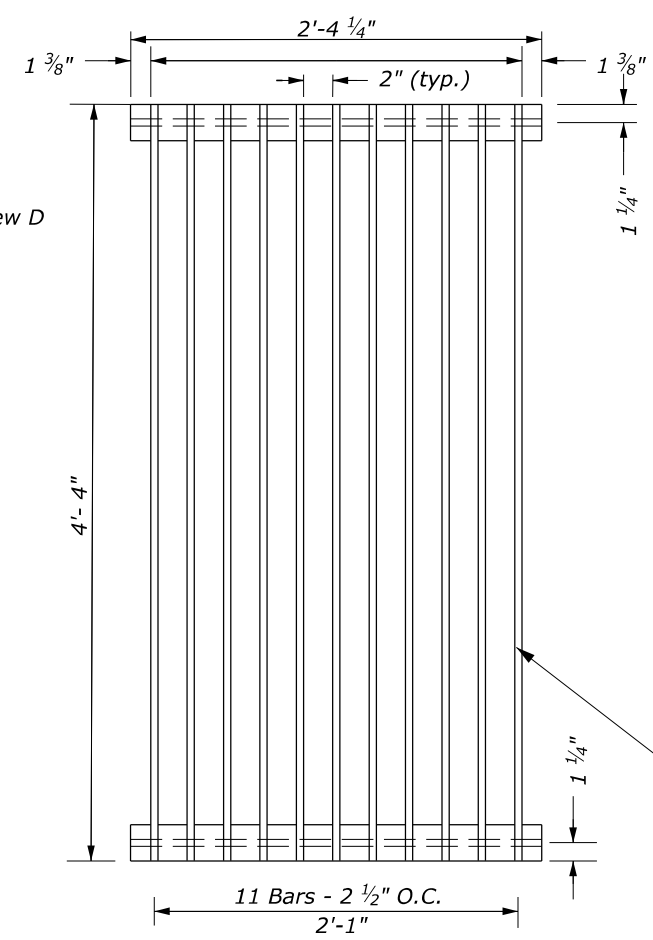
VIEW B



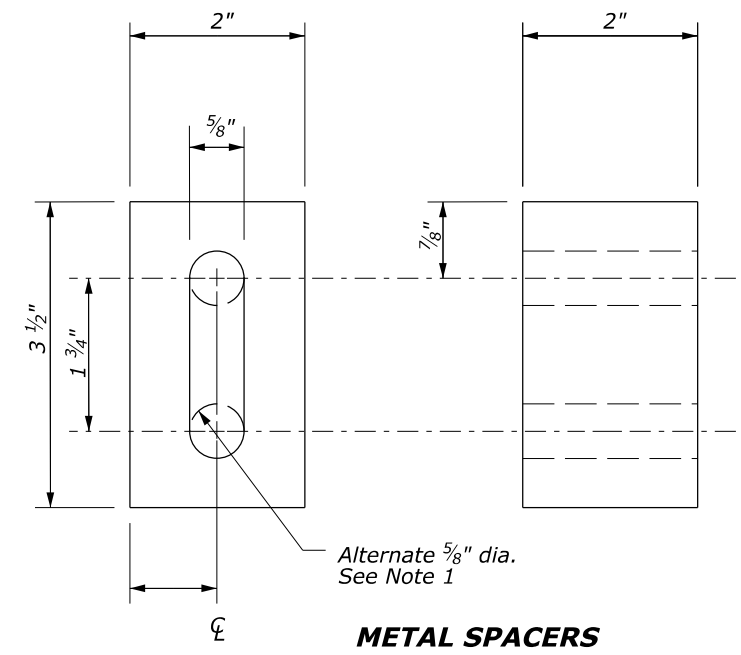
VIEW D



GRATE FRAME



GRATE

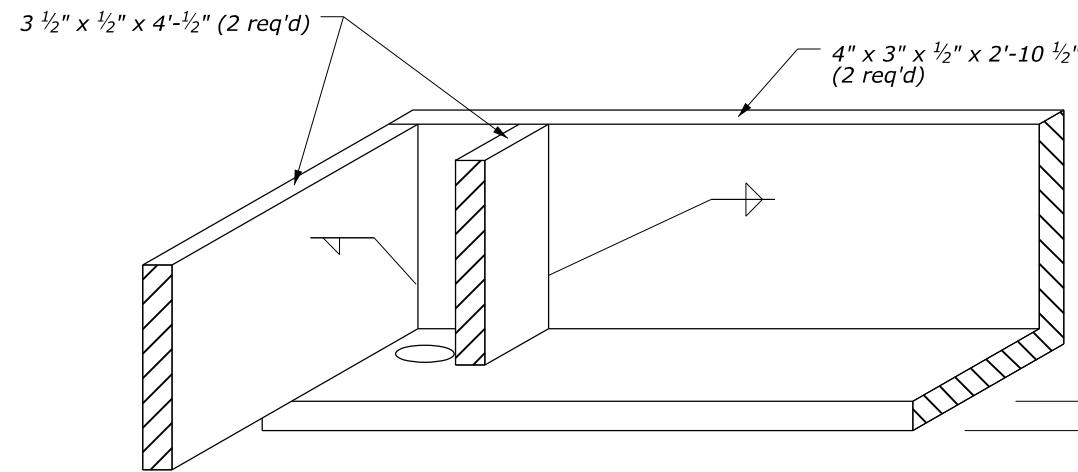
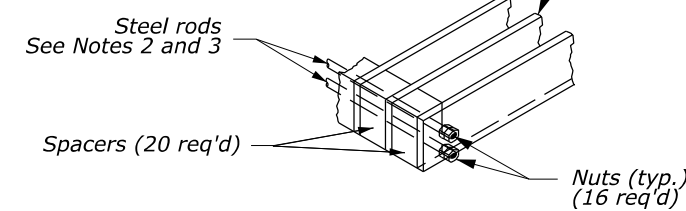


METAL SPACERS

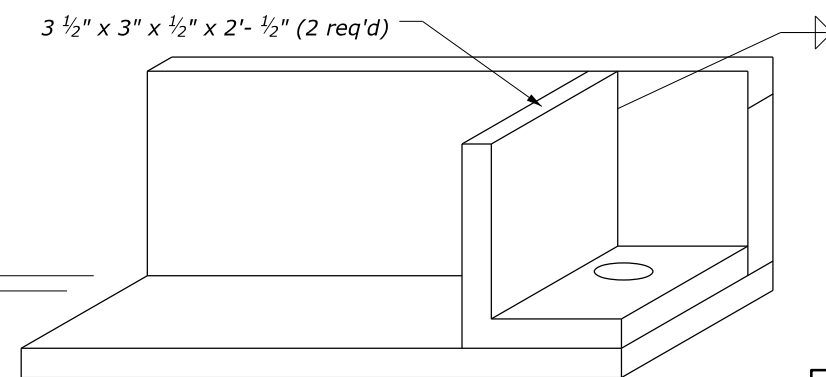
3 1/2" x 1/2" x 4'-4" Bar (11 Req'd)

NOTES:

1. Alternatively provide spacers with 5/8-inch diameter holes or two pieces of 1/2-inch galvanized iron pipe instead of slot shown.
2. Use four 1/2-inch diameter by 28 1/4-inch length steel rods with two nuts on each end. Thread rods 2 inches ± on each end.
3. Instead of rods and nuts, use bars welded together using spacers with two extra 1 3/4-inch outside spacers added to each end.
4. Provide metal parts for the frame and grate that are hot dipped galvanized after fabrication. Provide steel frame and grate.



VIEW A (OBLIQUE)



VIEW C (OBLIQUE)

LEGEND

- Weld both sides
- Fillet lap weld

NO SCALE

U.S. DEPARTMENT OF TRANSPORTATION, FHWA
OFFICE OF FEDERAL LANDS HIGHWAY

EFLHD DETAIL
E604-02

INLET, TYPE 4D
Sheet 2 of 2

SPECIFICATION
FP-24, FP-14
APPROVED FOR USE
05/2024