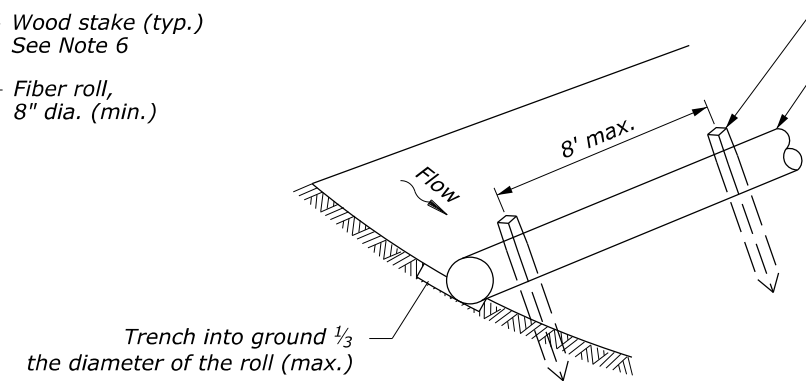


UNTRENCHED INSTALLATION

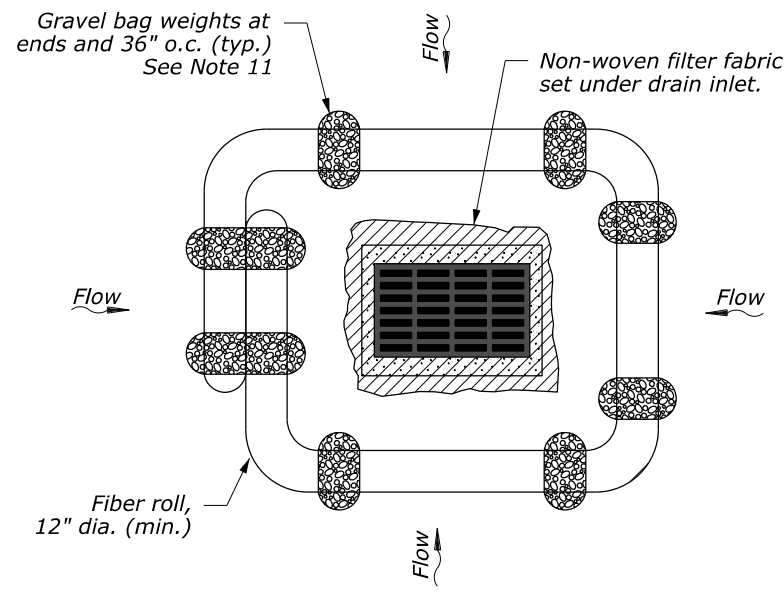


ENTRENCHED INSTALLATION

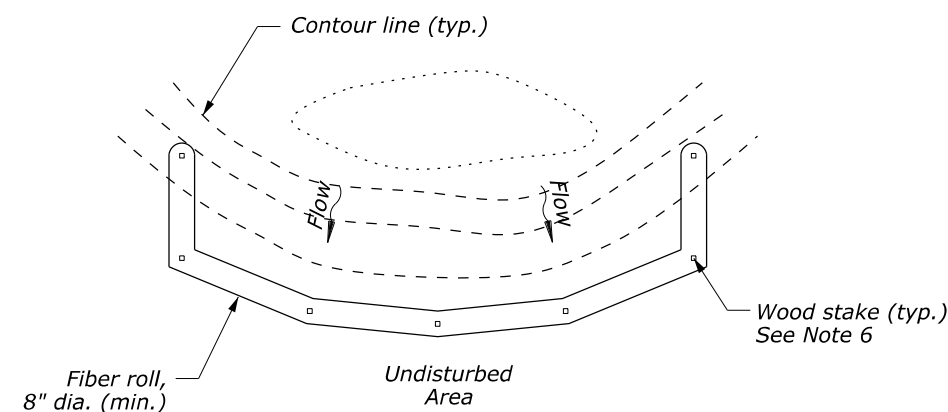
MAXIMUM ALLOWABLE SLOPE LENGTH ABOVE FIBER ROLLS

| SLOPE | MAX INTERVAL |
|------------------|--------------|
| 1V:4H or Flatter | 20 ft |
| 1V:4H - 1V:2H | 15 ft |
| 1V:2H or Steeper | 10 ft |

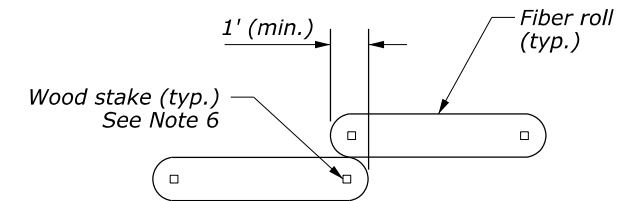
FIBER ROLL ISOMETRIC VIEW



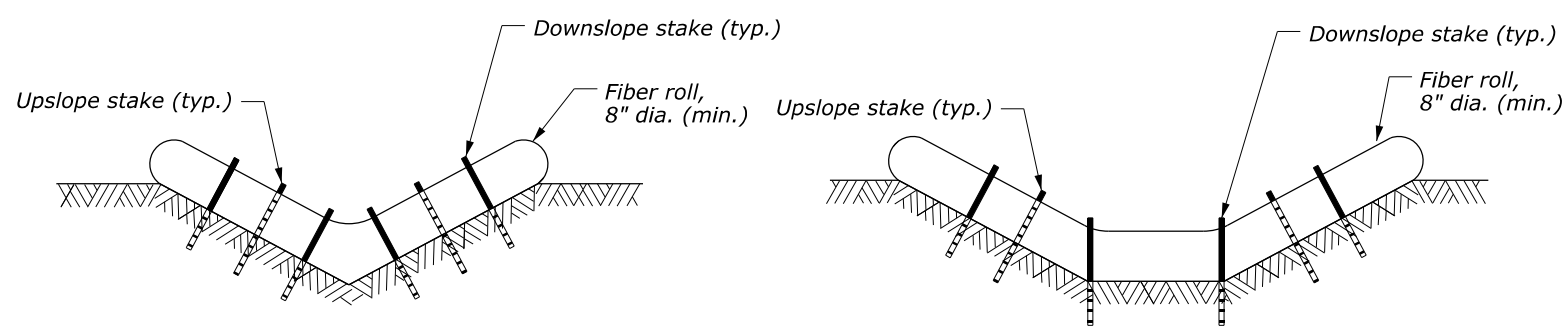
INLET PROTECTION



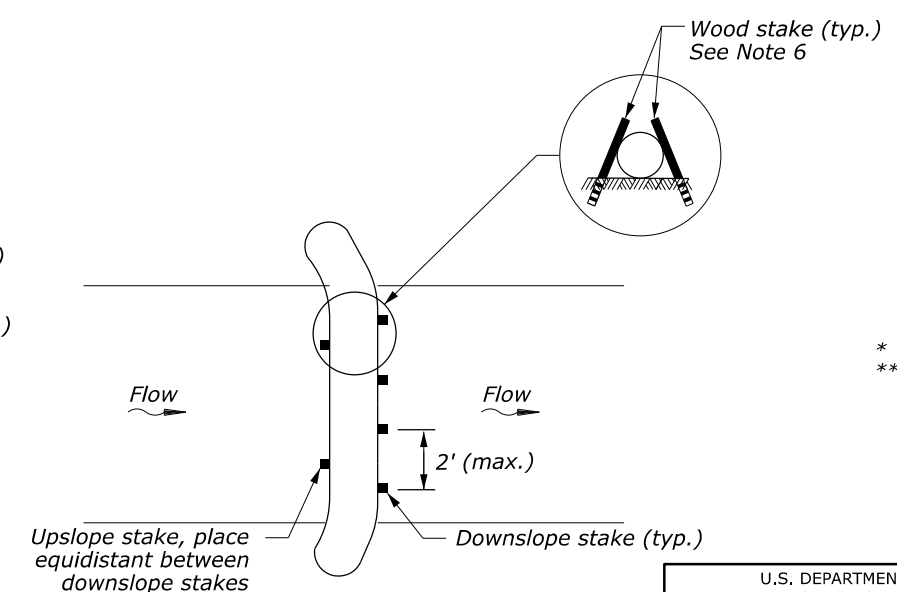
PLAN VIEW



FIBER ROLL OVERLAP



FIBER ROLL CHECK DAM CROSS SECTIONS



FIBER ROLL CHECK DAM PLAN VIEW

NO SCALE

NOTES:

1. Provide fiber rolls meeting the requirements of Subsection 713.12.
2. Use fiber rolls with a minimum 8-inch diameter. For drain inlet protection, use fiber rolls with a minimum 12-inch diameter.
3. Prior to installation, clear all obstructions including rocks, clods, and debris greater than 1-inch that may interfere with proper function of the fiber roll.
4. For untrenched installation, blow or hand place mulch or compost on uphill side of the slope along the fiber roll.
5. Place fiber rolls on level grade and parallel to contours. Extend both ends of the fiber roll at least 8 feet upslope at 45 degrees to the main alignment.
6. Use wood stakes with a minimum nominal cross section of 2- by 2-inch and of sufficient length to attain a minimum of 12 inches into the ground and 3 inches protruding above the roll. Furnish wood stakes meeting the requirements of Subsection 713.08(a).
7. When more than one fiber roll is needed, overlap ends 12 inches minimum and stake.
8. Remove sediment deposits when accumulation is one-half the height of the exposed fiber roll.
9. Replace biodegradable fiber rolls 6 months after installation and photodegradable fiber rolls 12 months after installation.
10. When fiber rolls are required on paved surfaces, use gravel bags to support them as shown on the inlet protection view.
11. Provide gravel bag weights meeting the requirements of Subsection 713.13.

FIBER ROLL CHECK DAM SPACING TABLE

| DITCH GRADE * | CHECK DAM SPACING (S)** | |
|---------------|-------------------------|----------|
| | 8" HIGH | 12" HIGH |
| 2% | 33' | 50' |
| 3% | 22' | 33' |
| 4% | 16' | 25' |
| 5% | 13' | 20' |

* Do not install check dams on grades below 2%
 ** Adjust spacing as approved based on site conditions