

Notes to the Designer

Updated October 2023

Wheelstop

General Information

- All graphics and text will be in the design and drawing models. Only use the sheet model for printing.
- **Wheelstop Options**
There are four different options for wheelstops available for use. Concrete and timber are shown on this template drawing. Adjust the template drawing to fit the project.

Applicable SCRs

- None

Typical Pay Item Used

- 60915-#### Wheelstop, concrete/timber/recycled plastic/rubber [EACH]

Updates

- **June 2021**
 - Updated for OpenRoads Designer
- **October 2023**
 - Updated border; updated to international foot seed

PROJECT	SHEET NUMBER
PROJECT NUMBER PROJECT NAME	

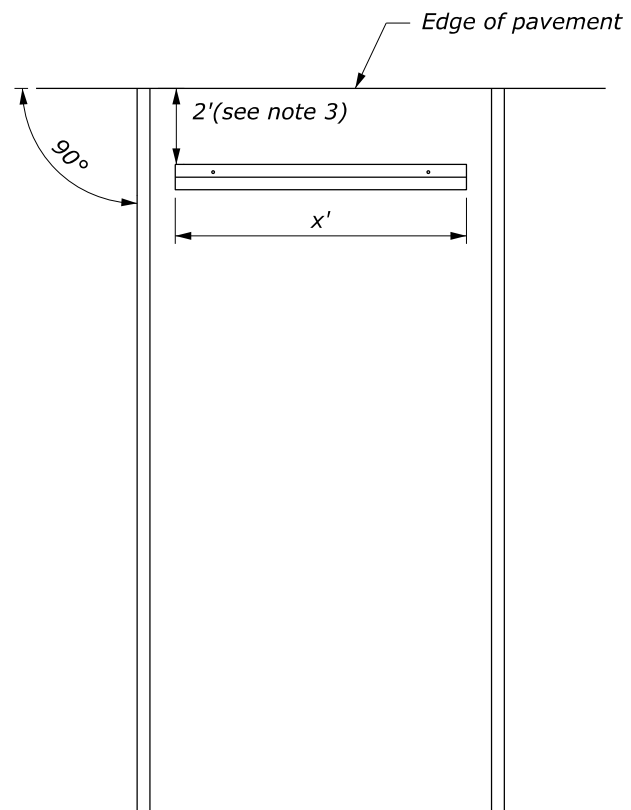
NOTE:

1. Center wheelstops between and perpendicular to stall lines.
2. Variations in wheelstops will be allowed with the approval of the CO to meet manufacturer's standards.
3. Increase distance for walls and other obstructions.

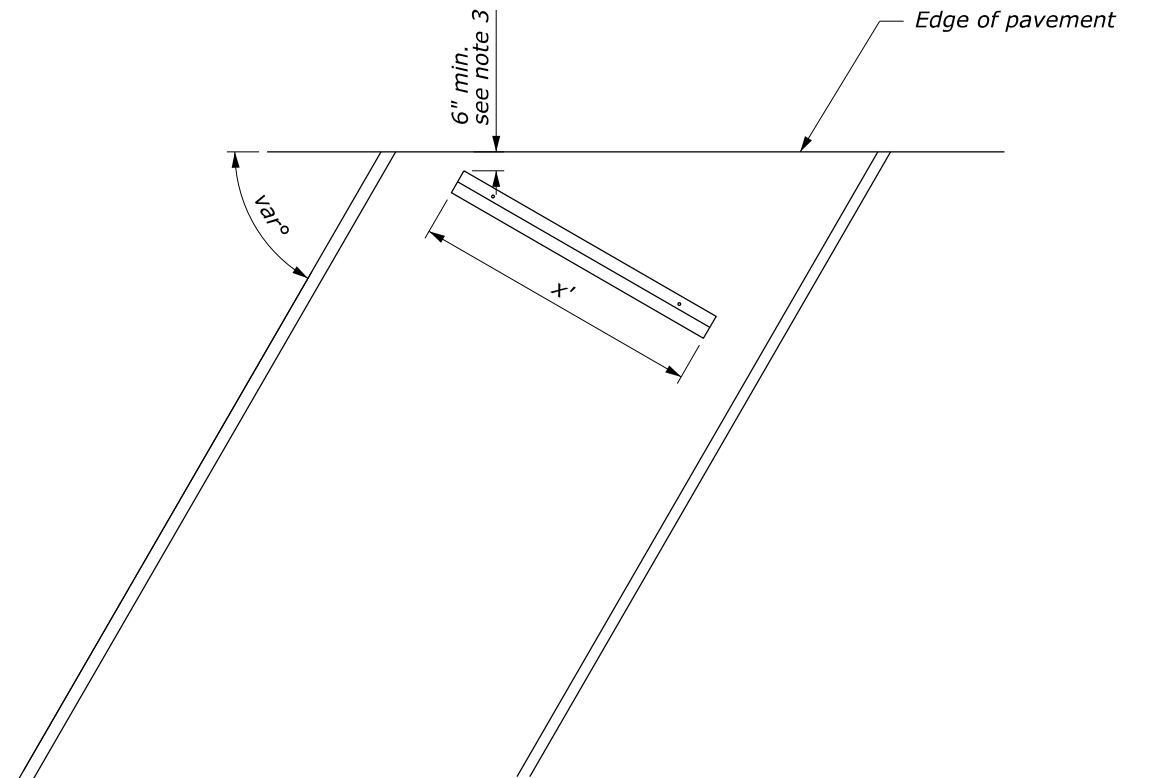
K:\CADD_Coordinator\ORD Drawings\Templates\SP609-Bfp1.4.dgn [SP 609-B]
11 June 2024 2:48 PM

NO SCALE

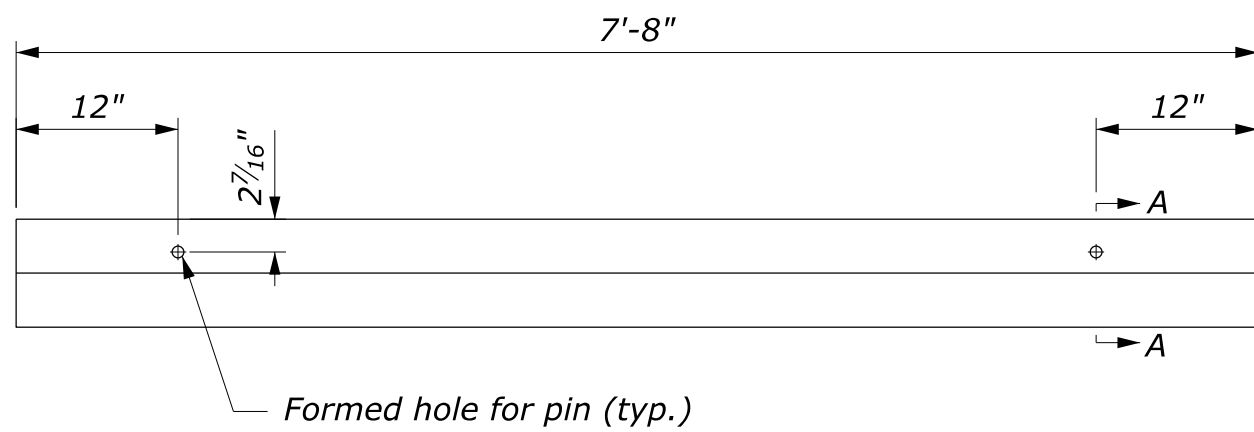
WHEELSTOP DETAILS	SPECIAL 609-B
--------------------------	------------------



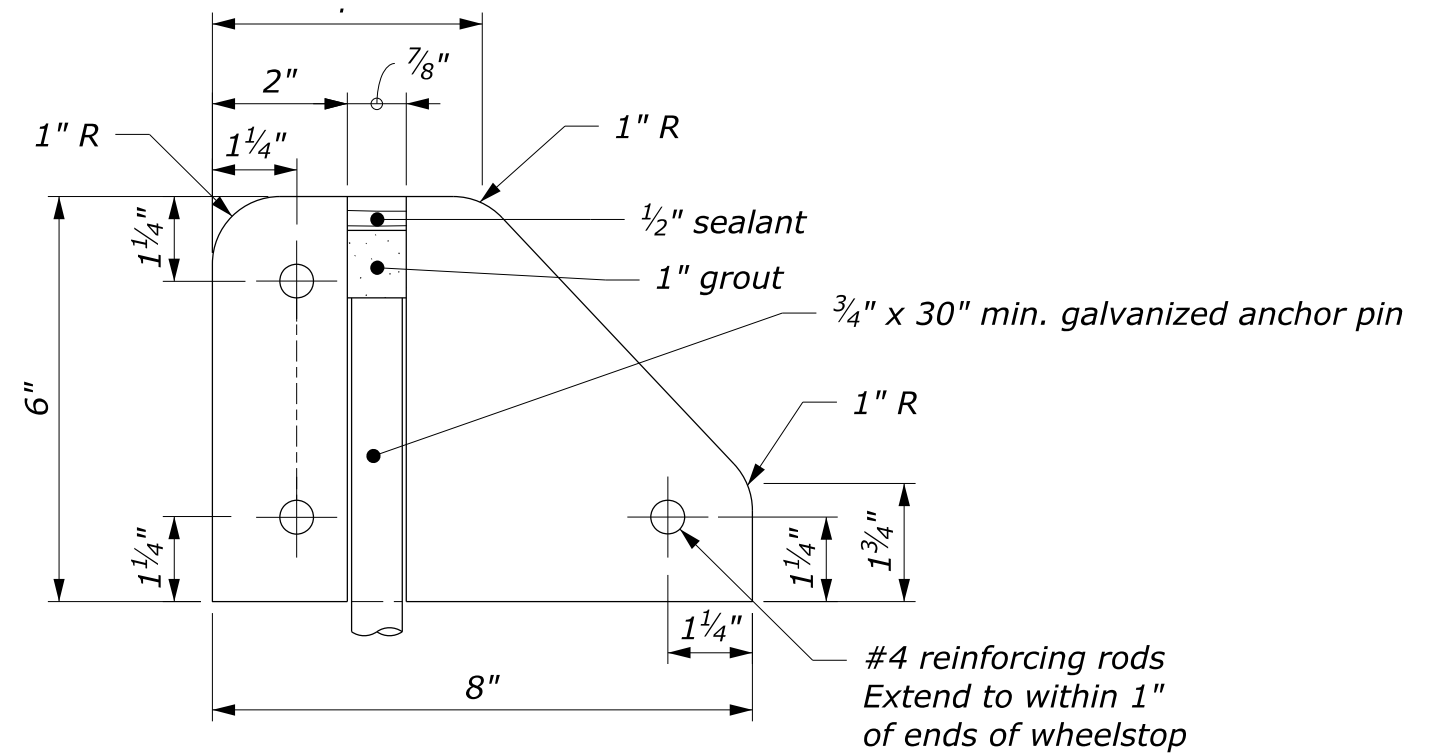
**HEAD-ON PARKING
WHEELSTOP PLACEMENT**



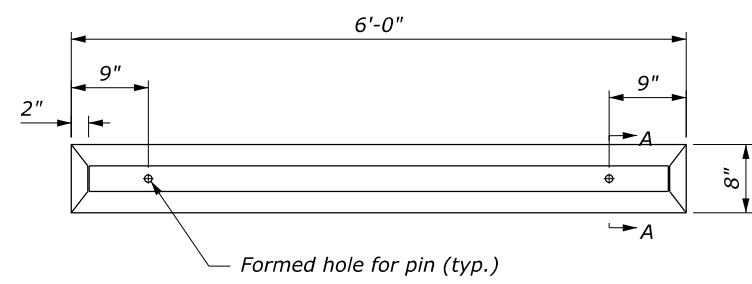
**ANGULAR PARKING
WHEELSTOP PLACEMENT**



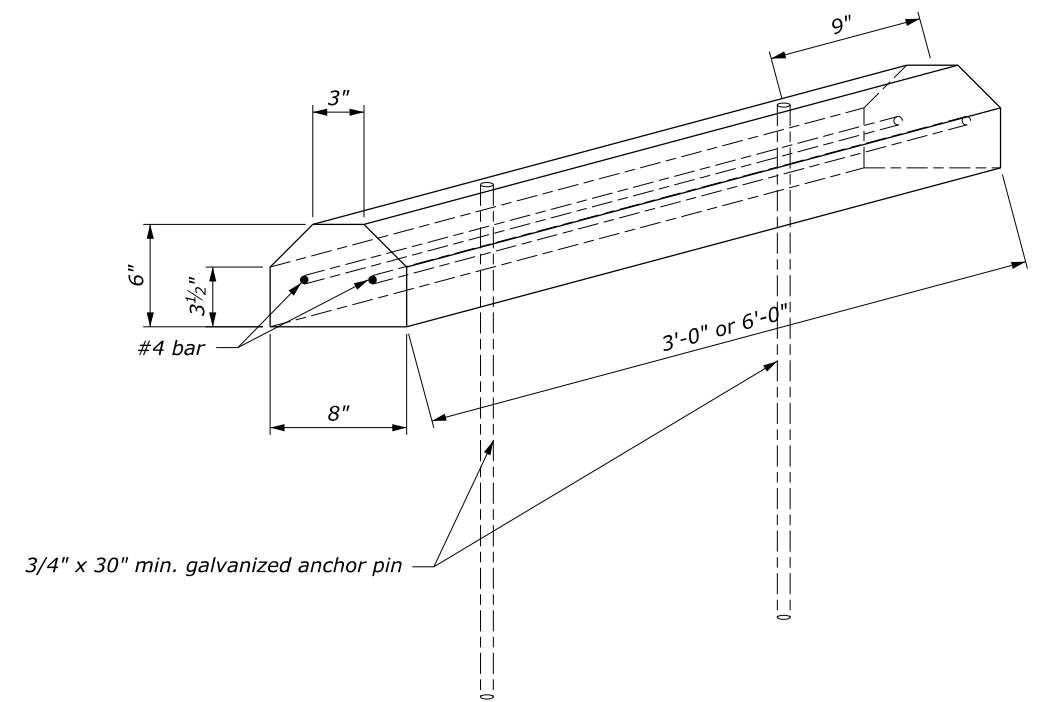
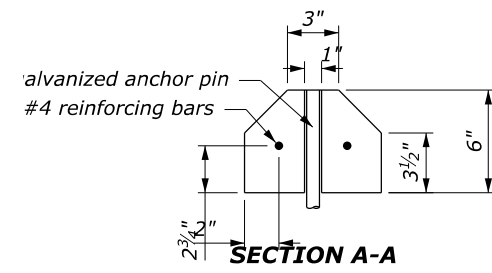
CONCRETE WHEELSTOP

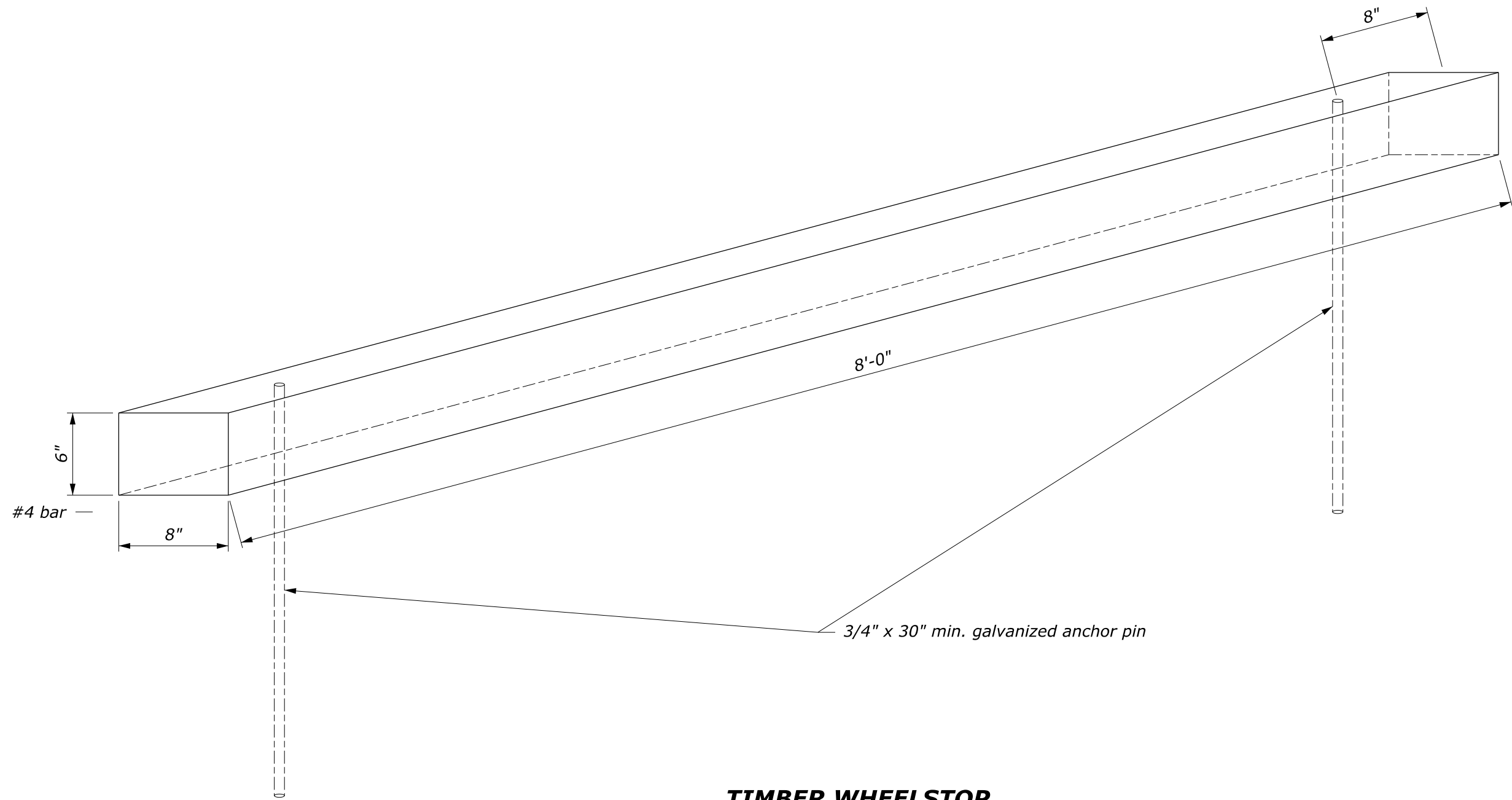


SECTION A-A



CONCRETE WHEELSTOP





TIMBER WHEELSTOP